

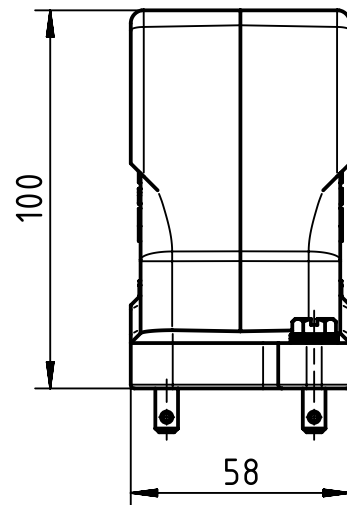
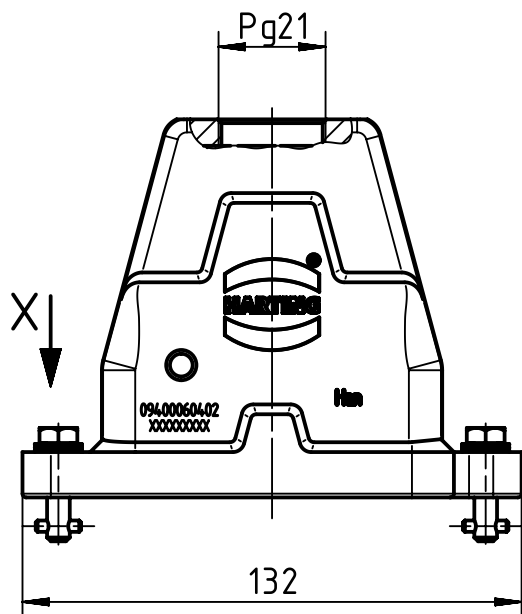
1 2 3 4 5 6

A

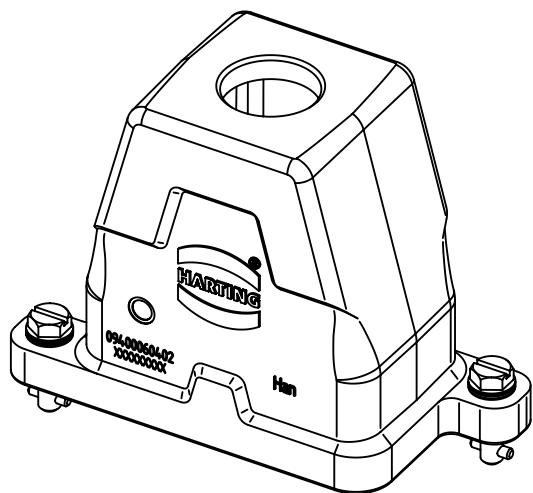
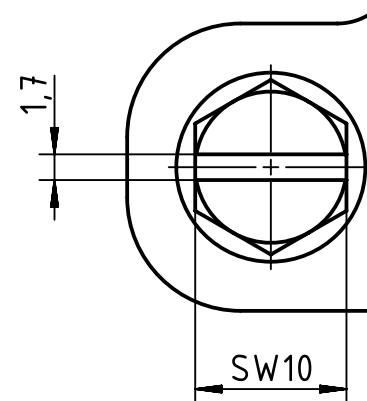
B

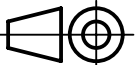

C

D



X (2:1)



 All Dimensions in mm Original Size DIN A4	Scale	Free size tol.		Ref.	
	1:2			Sub.	
 All rights reserved Department EL PD - DE	Created by	Inspected by	Standardisation	Date	State
	RULLKOETTER	SCHNIEDER	TIEMANNA	2014-02-17	Final Release
HARTING Electric GmbH & Co. KG D-32339 Espelkamp	Title				Doc-Key / ECM-Nr.
	Han 6HPR Hood Top Entry PG21 Toggle lock				100208599/UGD/002/A 500000071789
Type		Number		Rev.	Page
TB		09 40 006 0402		A	1/1