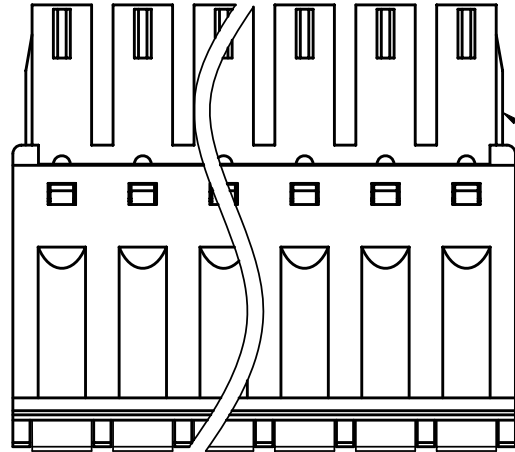
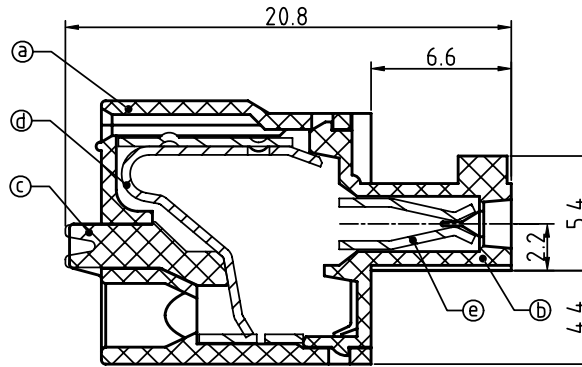
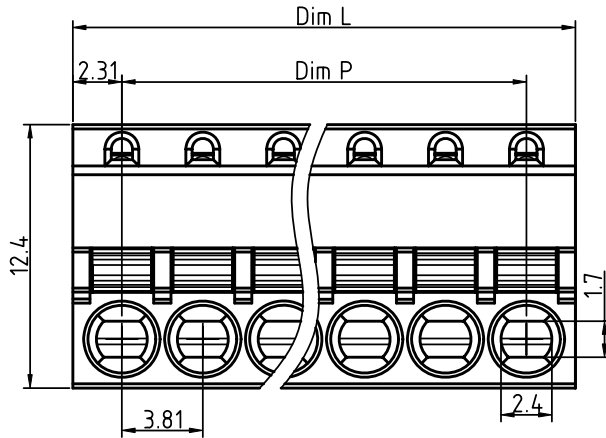


PRODUCT NUMBER	PITCH
HWxx30x000J0G	3.81 mm



2P-6P Ribs on both sides  
7P-24P No rib



Material:

- Item (a) Top body: Thermoplastic ( UL94V-0 )
- Item (b) Bottom body: Thermoplastic ( UL94V-0 )
- Item (c) Terminal lever: Thermoplastic ( UL94V-0 ) Orange (RAL2011/P)
- Item (d) Spring clamp: Stainless Steel
- Item (e) Female Contacts: PhBz ( CuSn ) Tin plated

Electrical

- Voltage rating: 300V
- Current rating: 8A
- Solid wire(AWG): 16-28
- Stranded wire(AWG): 16-28
- Wire strip length: 8-9mm
- Withstanding Voltage: 1.6KV
- Operating temperature: -40°C to +115°C
- Safety Approval:

cULus



PART NO.: HW xx 3 0 x 0 00J 0 G

N=Number of poles  
Dim L=Nx3.81+0.80  
Dim P=(N-1)x3.81

Poles	Dim L	Dim P
2P-6P	±0.20	±0.20
7P-12P	±0.25	±0.25
13P-18P	±0.30	±0.30
19P-24P	±0.40	±0.35

- |              |   |                   |  |
|--------------|---|-------------------|--|
| Solid block  | 0 | Black (RAL9005)   | RoHS compliant<br>(lead<4%)<br>In copper Alloy |
| No. of poles | 2 | Red (RAL3001/D)   |  |
| 02 2 poles   | 3 | Orange(RAL2011/P) |  |
| 03 3 poles   | 4 | Yellow(RAL1018/A) |  |
| ...          | 5 | Green(RAL6018/T)  |  |
| 24 24 poles  | 6 | Blue (RAL5015/A)  |  |
|              | 8 | Grey(RAL7035/D)   |  |
|              | 9 | White(RAL1102)    |  |
|              | C | Green(RAL6018/U)  |  |

mat'l. code		surface ASME Y14.5 ✓	tolerance ASME Y14.5	projection 	product family TERMINAL BLOCK
ltr	ecn no	dr	date	tolerances unless otherwise specified	title TERMINAL BLOCK
				angles 	SPRING CLAMP, PLUGGABLE PLUG
				X±1°	scale
				dr EVIN ZHONG 051514	dwg no
				enr EVIN ZHONG 051514	sheet 1 of 1
				chr HANKE FENG 051514	size A4
				appd SHI JUN 051514	type CUSTOMER Drawing
sheet index	revision	A			
	sheet	1			

