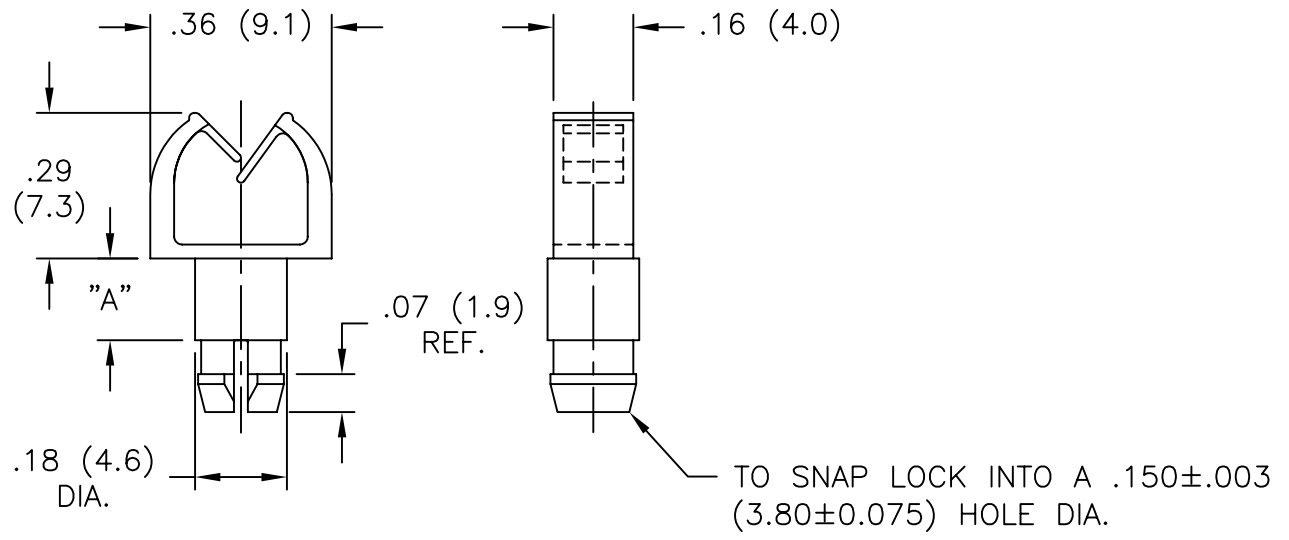


MAT'L: NYLON 6/6 (RMS-01) COLOR: NATURAL PART NO.	MAT'L: NYLON 6/6 FLAME RET. (RMS-19) COLOR: NATURAL PART NO.	DIM. "A"	PANEL THICKNESS
MWSELF-1-4.1-01	MWSELF-1-4.1-19	.16 (4.1)	.063 (1.6)
MWSELF-1-7.7-01	MWSELF-1-7.7-19	.30 (7.7)	



NOTES:

- PARTS AVAILABLE IN ACETAL (RMS-14) BY SPECIAL ORDER ONLY.
TO ORDER REPLACE "-01" OR "-19" WITH "-14"

TITLE: MICRO WIRE SADDLE-LOCKING FIX		DWG IN IN (MM)		FINAL		PRINT TYPE	
D	SEE ECN #1362 FOR CHANGES	SK 08.31.07	TOLERANCES UNLESS NOTED		FILE # MWSELF	DWN: S.M.	APP:
C	DELETED P/N MWSELF-2 FROM TABLE	DLC 2.28.02	.XX=±.010		MAT'L: SEE NOTES	DT: 12/13/01	DT:
B	ADDED P/N MWSELF-2 TO TABLE	SM 12.21.01	.XXX=±.005		RE: RICHCO, INC.	RICHCO INC.	
A	REDRAWN FROM UK PRINT (REV A)	SM 12.13.01	FRAC=±1/64		PO BOX 804238, CHICAGO, 60680		PART #
REV	DESCRIPTION	ENGR DATE	ANG=±1°		(773) 539-4060		SEE TABLE