

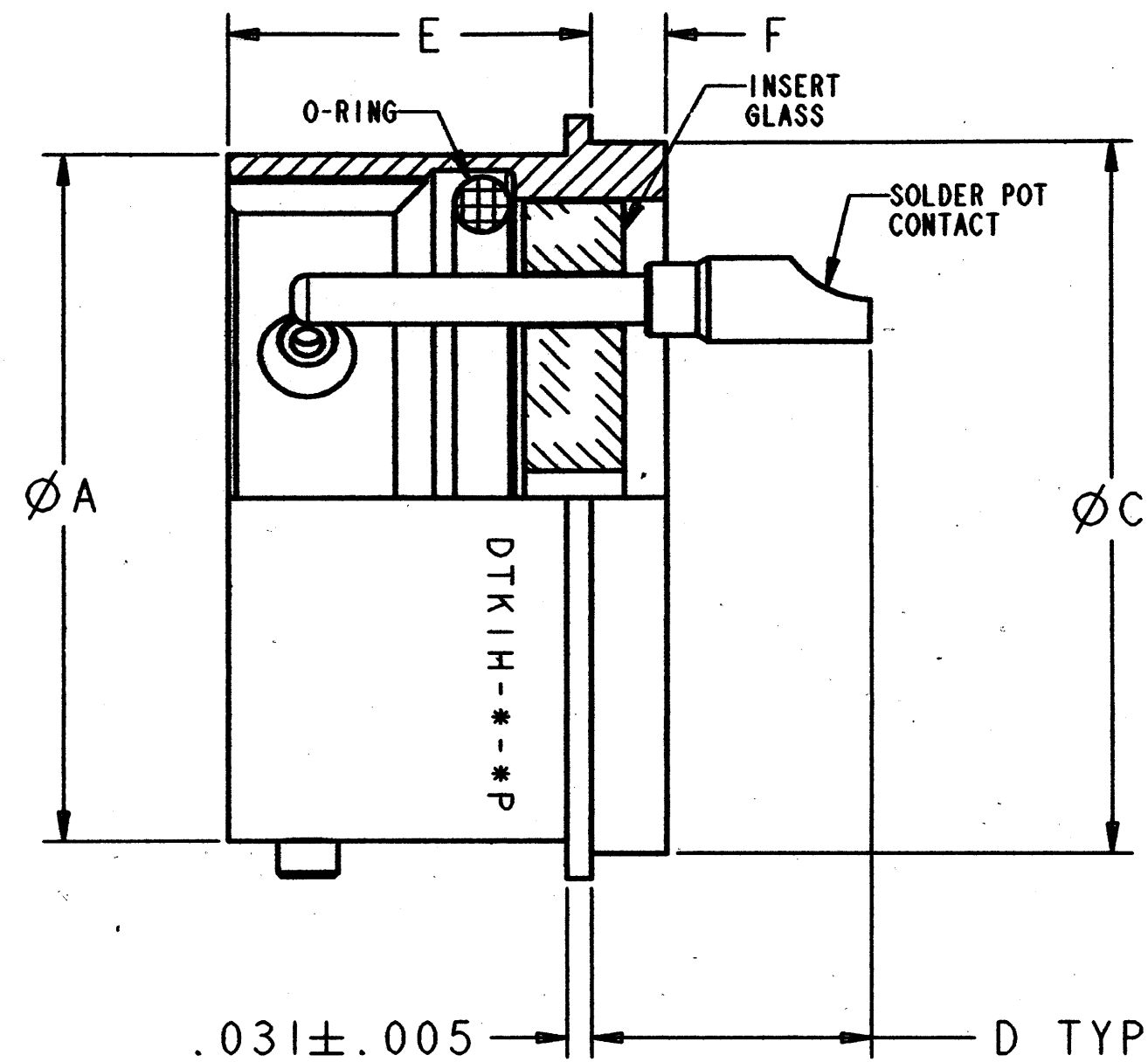
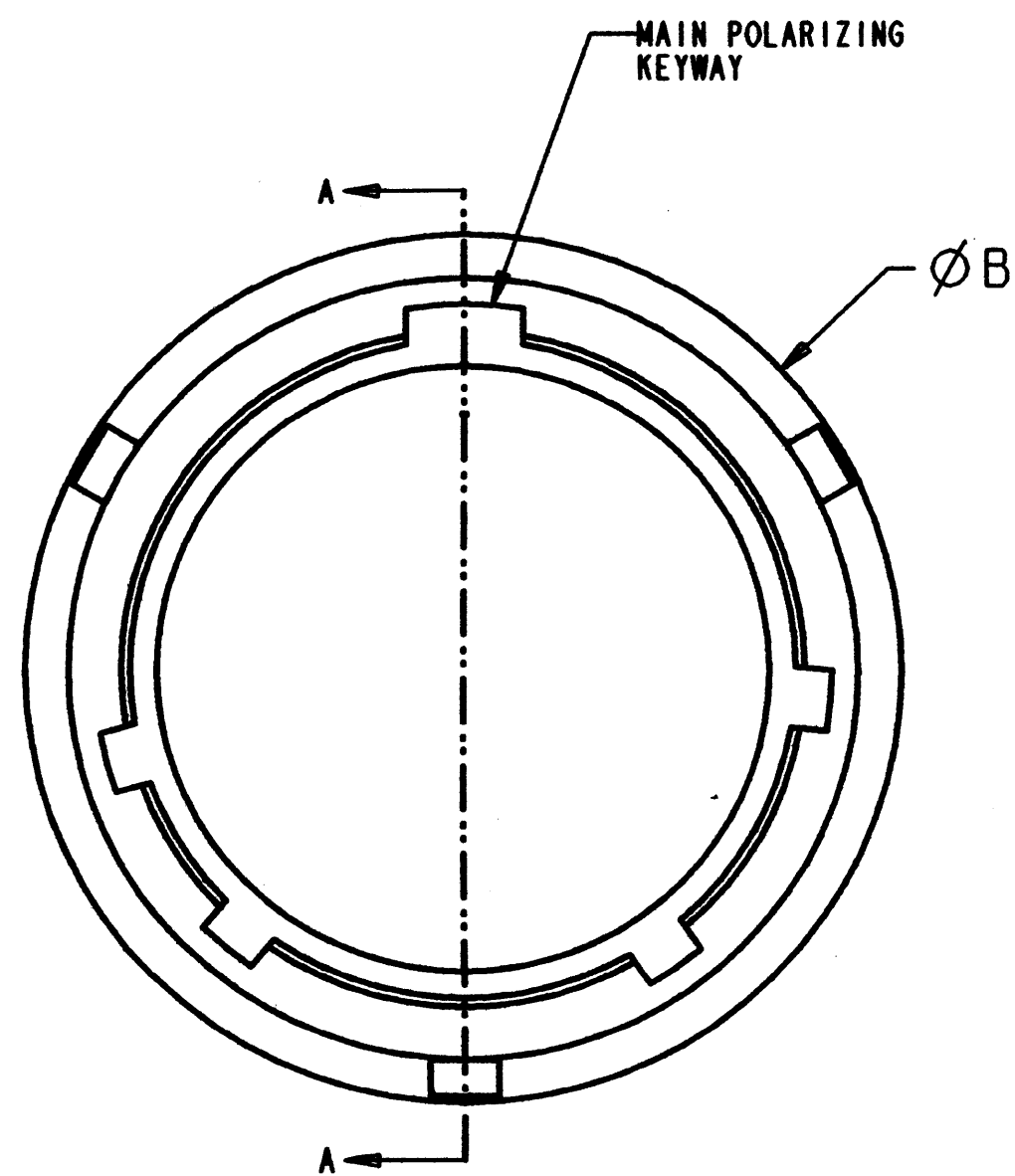
PROPERTY OF DEUTSCH E.C.D

THIS DRAWING CONTAINS PROPRIETARY INFORMATION THAT SHALL NOT BE DISCLOSED, DUPLICATED, NOR USED IN WHOLE OR IN PART FOR ANY PURPOSE OTHER THAN TO EVALUATE THIS DRAWING.

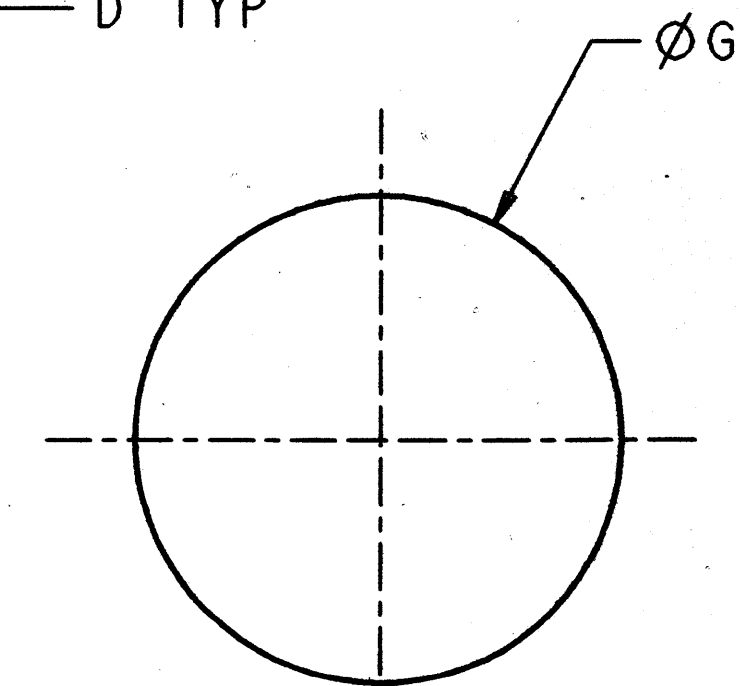
E DTKIH-X-XP

REVISIONS

REV	DESCRIPTIONS	DATE	APPROVED
C	REDRAWN PER E.O. 33096	12/23/65	S.K.
D	REDRAWN PER E.O.A 11363	2/15/91	L. Stalle
E	REDRAWN PER E.O.H2455	11/01/98	L. Stalle



SECTION A-A



RECOMMENDED MOUNTING HOLE

PART NUMBER DESCRIPTION:

DTKIH-*-*P*

SHELL SIZE:
10, 12, 14, 16,

INSERT POSITION:
EXAMPLE; W, X, Y, Z
BLANK = NORMAL

INSERT ARRANGEMENT:

PART No:	+ .001 A-.005	B MAX.	+ .001 C-.005	D MAX.	+ .020 E-.010	F±.010	+ .010 G-.000	WEIGHT (lb.)
DTKIH-08-*P	.473	.635	.562	.386	.447	.094	.572	.014
DTKIH-10-*P	.590	.760	.672	.386	.447	.094	.682	.018
DTKIH-12-*P	.750	.854	.781	.386	.447	.094	.791	.028
DTKIH-14-*P	.875	.979	.906	.386	.447	.094	.916	.035
DTKIH-16-*P	1.000	1.104	1.031	.386	.447	.094	1.041	.040
DTKIH-18-*P	1.125	1.228	1.156	.386	.447	.094	1.166	.058
DTKIH-20-*P	1.250	1.322	1.250	.386	.509	.094	1.260	.076
DTKIH-22-*P	1.375	1.448	1.375	.418	.509	.125	1.385	.087
DTKIH-24-*P	1.500	1.574	1.500	.418	.542	.125	1.510	.129

1. DIMENSIONS ARE IN INCHES UNLESS OTHERWISE SPECIFIED.

2. INSERT ARRANGEMENT PER MIL-STD-1669.

3. LEAK RATE: 1E-8 cc/sec He @ 1 atm.

4. MATES WITH ML-C-26482 SERIES I PLUG.

5. MATERIAL:
SHELL - C1215 MILD STEEL
INSULATOR - GLASS INSERT
CONTACT - 52 HIGH NICKEL-IRON ALLOY
O-RING - SILICONE

6. FINISH:
SHELL & CONTACT - TIN OVER NICKEL

NOTE(S):

UNLESS OTHERWISE SPECIFIED:
DIMENSIONS ARE IN INCHES
DECIMALS XXX ± .005
ANGLES ± 5°
T.I.R. .010
PARTS TO HAVE NO BURRS OR SHARP EDGES

MATERIAL: SEE NOTE
FINISH: SEE NOTE

SIGNATURE & DATE

DR S.LUI 10/26/98

CHK L. Stalle 11/1/98

PE John G. ... 4/1/98

APPD L. Stalle 4/1/98

SCALE: 5.000

CONNECTOR, RECEPTACLE

HERMETIC
PIN UNIT
SOLDER MOUNT
BAYONET COUPLING

ENVELOPE

FILE: DTKIH-X-XP-ENV

CP MATL CODE 73

DEUTSCH
HERMETIC PRODUCTS OPERATION
680 Airport Blvd
Oceanside, California

C DTKIH-X-XP

DWG SIZE 11139 SHEET 1 OF 1