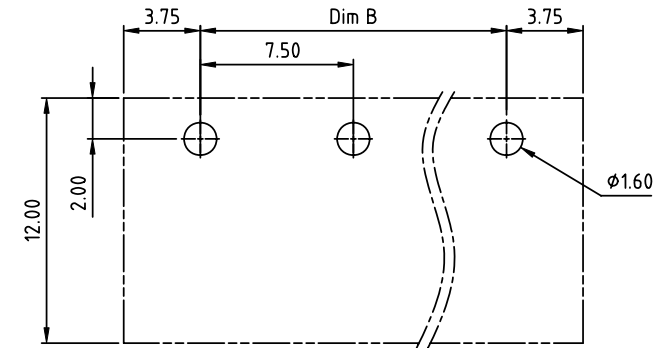
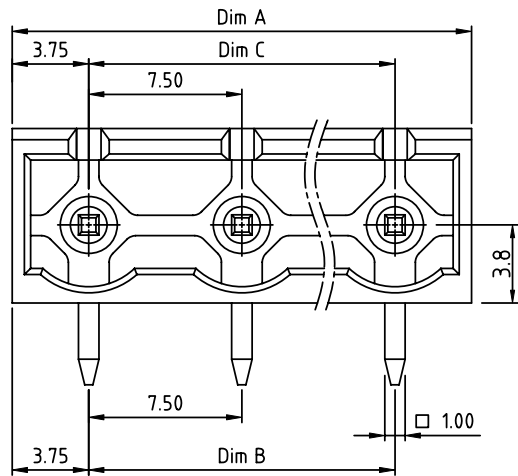
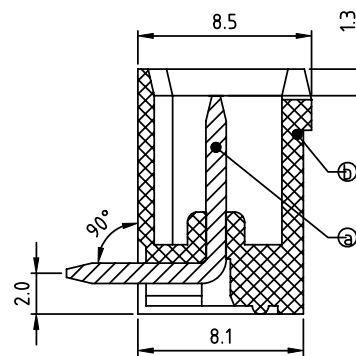
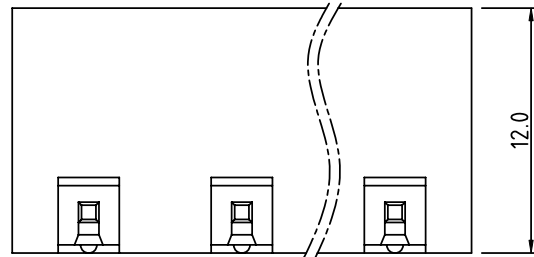


PRODUCT NUMBER	PITCH
OQxxA1x100J0G	7.50 mm



RECOMMENDED P.C.B LAYOUT  
TOP VIEW



Material:

- Item ③ Male contact pin: Copper Tin plated
- Item ④ Terminal housing: Thermoplastic (UL94V-0)

- Electrical:
- |                          |                 |      |
|--------------------------|-----------------|------|
|                          | cULus           | TUV  |
| ● Voltage rating:        | 300V            | 750V |
| ● Current rating:        | 20A             | 15A  |
| ● Withstanding Voltage:  | 1.6 KV          | 6KV  |
| ● Operating temperature: | -40°C to +115°C |      |
| ● Soldering temperature: | 260°C±5°C/5 Sec |      |
| ● Safety Approval:       |                 |      |

DIMENSION

Dim A	NX7.5
Dim B&C	(N-1)X7.5
N= NUMBER OF POLES	
Poles	Tolerance
2P-6P	±0.20
7P-12P	±0.30
13P-16P	±0.40

PART NO.: OQ xx A 1 x 1 00J0 G

No. of poles	0	Body Color	0	Black (RAL9005)	RoHS compliant
02	2 poles	2	Red (RAL3001/D)		(lead<4%)
03	3 poles	3	Orange(RAL2011/P)		In copper Alloy
...	...	4	Yellow(RAL1018/A)		
16	16 poles	5	Green(RAL6018/T)		
		6	Blue (RAL5015/A)		
		8	Grey(RAL7035/D)		
		9	White(RAL1102)		
		C	Green(RAL6018/U)		

mat'l. code		surface ASME Y14.5	tolerance ASME Y14.5	projection 	product family TERMINAL BLOCK
ltr	ecn no	dr	date	tolerances unless otherwise specified	title TERMINAL BLOCK
				angles $\phi$ X.±0.5	PLUGGABLE SOCKET,CLOSE,RIGHT ANGLE
				MM	sheet 1 of 1 size
				X*±1° X.XX±0.1	A4
		dr	HANKE FENG	040414	dwg no
		enr	HANKE FENG	040414	OQxxA1x100J0G
		chr	SHI JUN	040414	sheet 1 of 1 size
		appd	SHI JUN	040414	A4
					type
					CUSTOMER Drawing
sheet index	revision sheet	A	1		