

| SIZE | Part Num.      | Threading | Headscrew | Packaging         |
|------|----------------|-----------|-----------|-------------------|
| 25   | 8655MH2501BLF  | UNC 4.40  | Black     | BULK (see note 1) |
|      | 8655MH2501BKLF | UNC 4.40  | Black     | KIT (see note 2)  |
|      | 8655MH2502BLF  | M3        | Grey      | BULK              |
|      | 8655MH2502BKLF | M3        | Grey      | KIT               |

NOTES:

Material and finish: Zinc die-cast  
Nickel plated

Cable strain relief: Polycarbonate (UL94V-0)

Jackscrews:

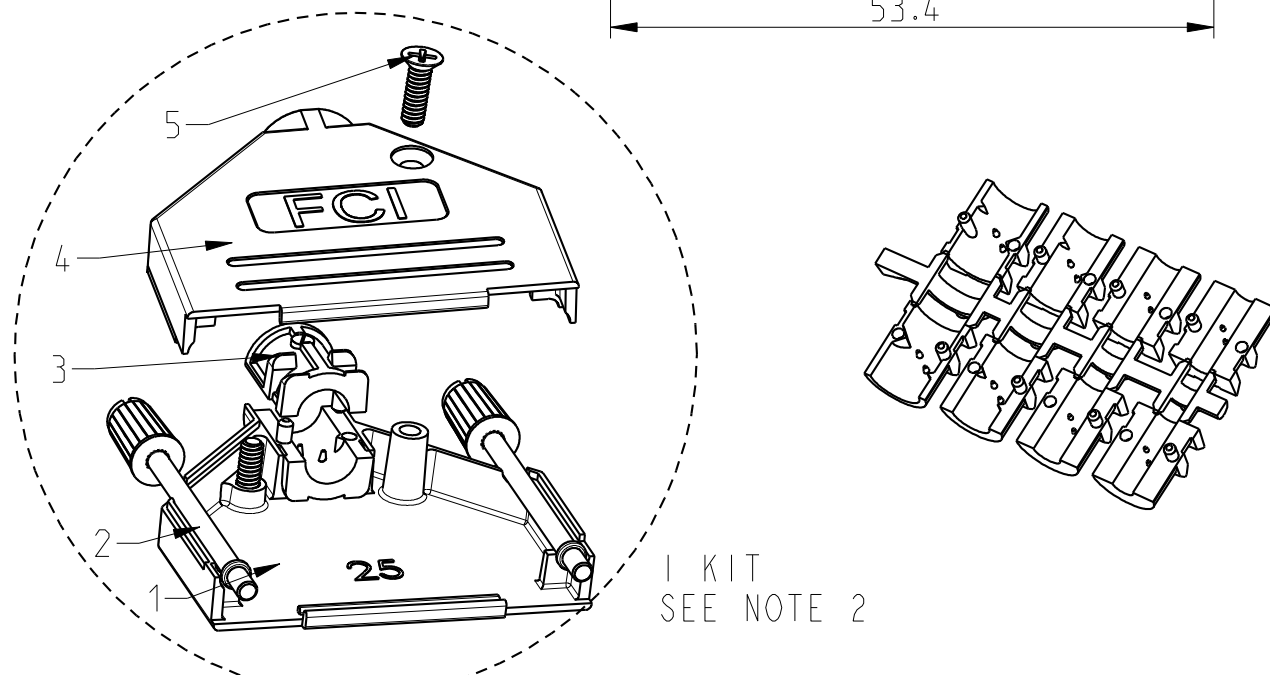
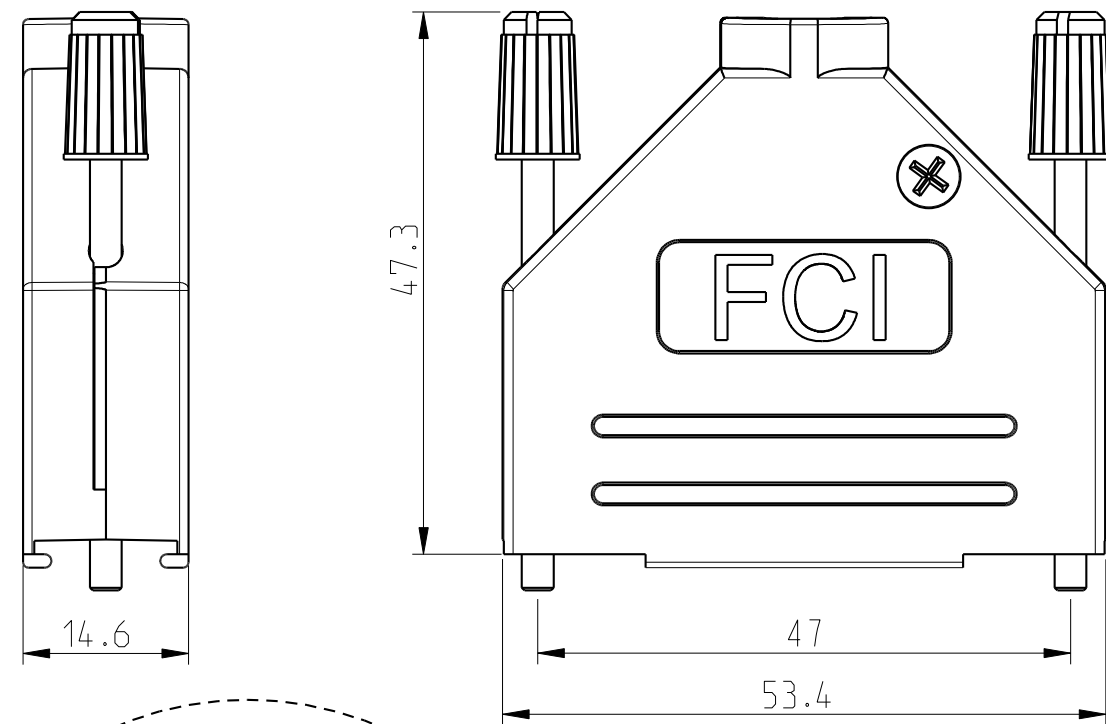
- Headscrew : plastic, color according threading
- Body : metal, threading according tables

Temperature range: -40°C to 120°C  
Cable diameter: 4,0 to 13,0mm  
Attenuation factor: >40 dB between 30MHz and 1 GHz  
Marking FCI logo: Height 6 mm for all versions

Covers screwing force (max): 100 Ncm  
Jackscrew screwing force (max): 50 Ncm

Packaging notes (see tables):

- 1 - Bulk : Every spare part packaged per 100 or 200 into plastic bag.5 plastic bags per carton box. 1 plastic bag per part.
- 2 - Kit : 1 set of spare parts necessary to realise 1 kit into a plastic bag. 100 plastic bags per carton box.



NOTE:RoHS INFORMATIONS

- The "LF" product meets European union Directives and other country regulations as described in GS-22-008.
- The product is not intended to be exposed to a manufacturing solder process.
- Packaging spec: see GS-14-920.

Amphenol FCI

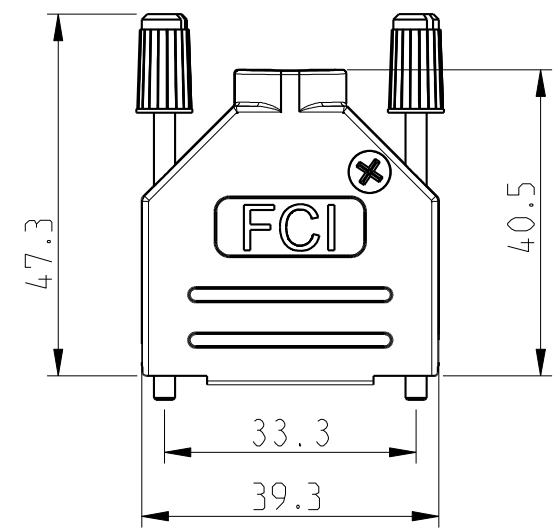
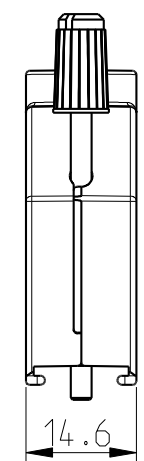
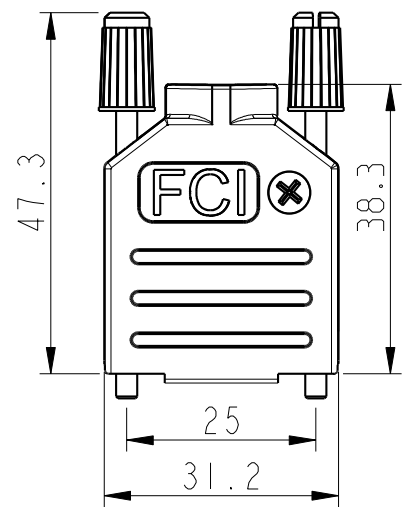
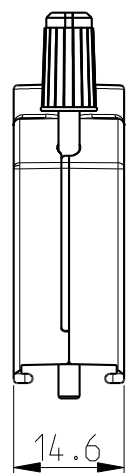
© 2016 AFCI

| DESIGNATION     | REP. | 09 | 15 | 25 | 37 |
|-----------------|------|----|----|----|----|
| COVER BOTTOM    | 1    |    |    | 1  |    |
| JACKSCREW       | 2    |    |    | 2  |    |
| STRAIN RELIEF   | 3    |    |    | 2  |    |
| COVER TOP       | 4    |    |    | 1  |    |
| SCREW POZIDRIVE | 5    |    |    | 2  |    |

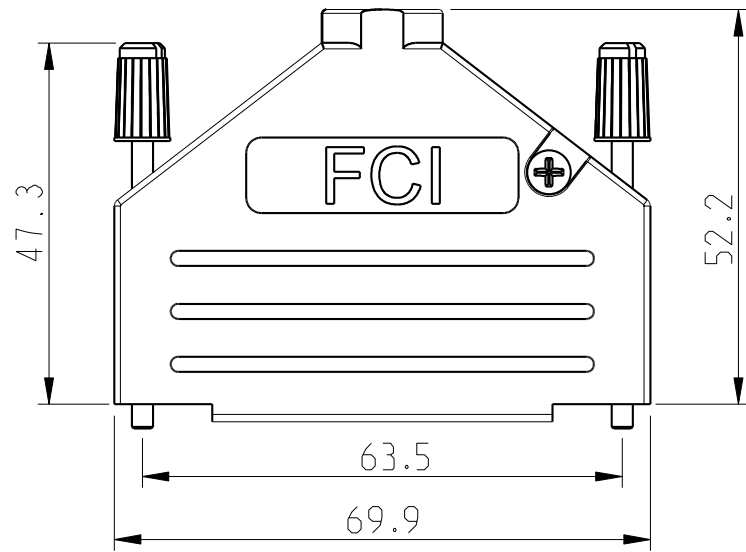
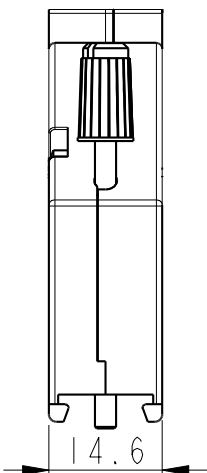
|                     |         |              |            |             |  |                        |               |              |          |
|---------------------|---------|--------------|------------|-------------|--|------------------------|---------------|--------------|----------|
| spec ref            | dr      | A Parrenin   | 2009/05/20 | projection  | mm   | size                   | A3            | scale        | 3:2      |
| tolerance std       | eng     | D Detouillon | 2017/01/16 |             |  | ecn no                 | ELX-F-25931-1 | rel level    | Released |
| ISO 406<br>ISO 1101 | chr     | J Dalibard   | 2017/01/16 |             |  |                        |               |              |          |
| surface             | linear  |              | 0.X        | ±/          | <b>Amphenol FCI</b><br>D-SUB METAL HOODS<br>STRAIGHT | dwg no                 | 10085962      | rev          | F        |
|                     |         |              | 0.XXX      | ±/          |  |                        |               |              |          |
| ISO 1302            | angular | 0°           | ±/°        | www.fci.com | cat. no.   | Product - Customer Drw |               | sheet 1 of 3 |          |

| SIZE | Part Num.      | Threading | Headscrew | Packaging         |
|------|----------------|-----------|-----------|-------------------|
| 09   | 8655MH0901BLF  | UNC 4.40  | Black     | BULK (see note 1) |
|      | 8655MH0901BKLF | UNC 4.40  | Black     | KIT (see note 2)  |
|      | 8655MH0902BLF  | M3        | Grey      | BULK              |
|      | 8655MH0902BKLF | M3        | Grey      | KIT               |

| SIZE | Part Num.      | Threading | Headscrew | Packaging         |
|------|----------------|-----------|-----------|-------------------|
| 15   | 8655MH1501BLF  | UNC 4.40  | Black     | BULK (see note 1) |
|      | 8655MH1501BKLF | UNC 4.40  | Black     | KIT (see note 2)  |
|      | 8655MH1502BLF  | M3        | Grey      | BULK              |
|      | 8655MH1502BKLF | M3        | Grey      | KIT               |



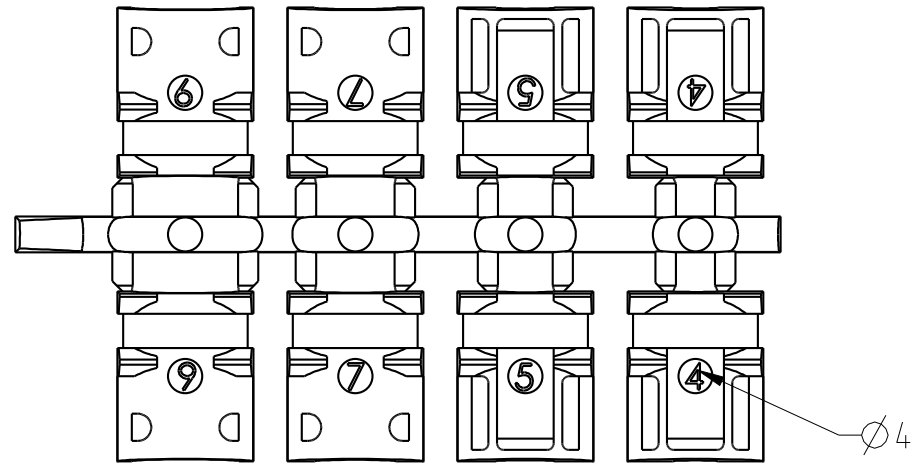
| SIZE | Part Num.      | Threading | Headscrew | Packaging         |
|------|----------------|-----------|-----------|-------------------|
| 37   | 8655MH3701BLF  | UNC 4.40  | Black     | BULK (see note 1) |
|      | 8655MH3701BKLF | UNC 4.40  | Black     | KIT (see note 2)  |
|      | 8655MH3702BLF  | M3        | Grey      | BULK              |
|      | 8655MH3702BKLF | M3        | Grey      | KIT               |



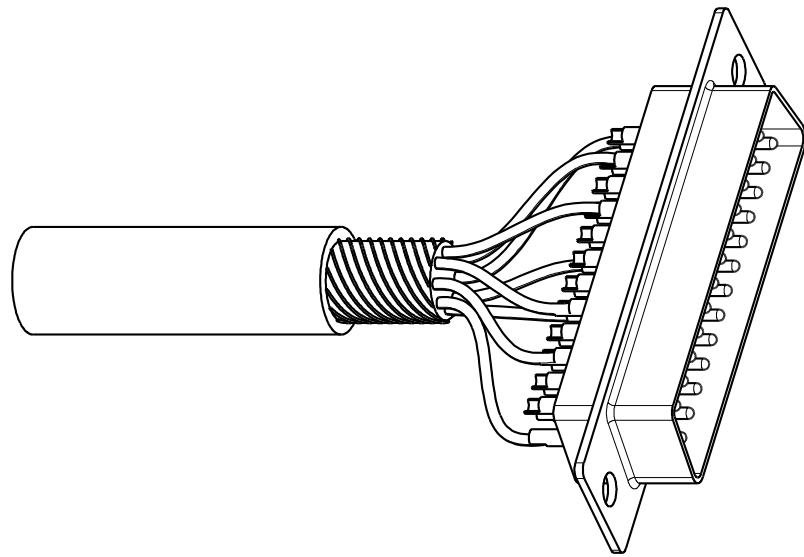
|                     |        |                                   |            |   |  |                        |               |              |     |
|---------------------|--------|-----------------------------------|------------|---|--|------------------------|---------------|--------------|-----|
| spec ref            | dr     | A Parrenin                        | 2009/05/20 | projection  | mm                                     | size                   | A3            | scale        | 1:1 |
| tolerance std       | eng    | D Detouillon                      | 2017/01/16 |   |  | ecn no                 | ELX-F-25931-1 |              |     |
| ISO 406<br>ISO 1101 | chr    | J Dalibard                        | 2017/01/16 |   |  | rel level              | Released      |              |     |
| surface             | appr   | Aymeric Soudy                     | 2017/01/17 | product family  | title<br>D-SUB METAL HOODS<br>STRAIGHT |                        | dwg no        | 10085962     |     |
| ISO 1302            | linear | GENERAL TOLERANCES:<br>ISO 2768-m |            | surface<br>linear<br>0.X ±/<br>0.XX ±/<br>0.XXX ±/<br>angular<br>0° ±/° | www.fci.com<br>cat. no.                | Product - Customer Drw | rev<br>F      | sheet 2 of 3 |     |

CABLING INSTRUCTIONS FOR CABLE Ø 4, 5, 7 or 9 mm

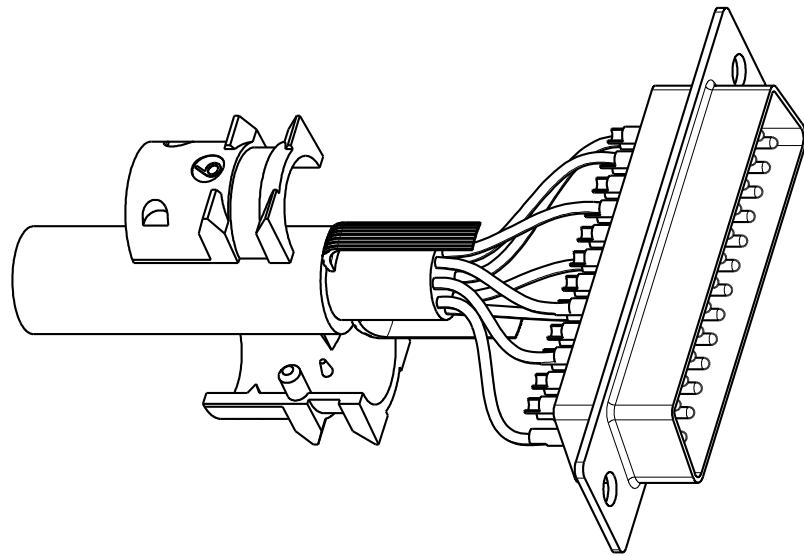
1- Use two halves of strain relief, different sizes can be mixed (Ø4,5,7 or 9)



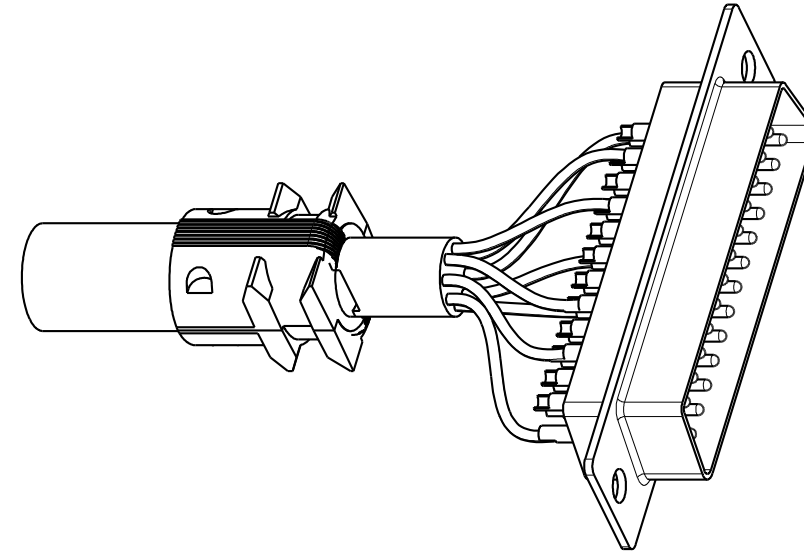
2- Strip cable 18mm and shape to two pigtails



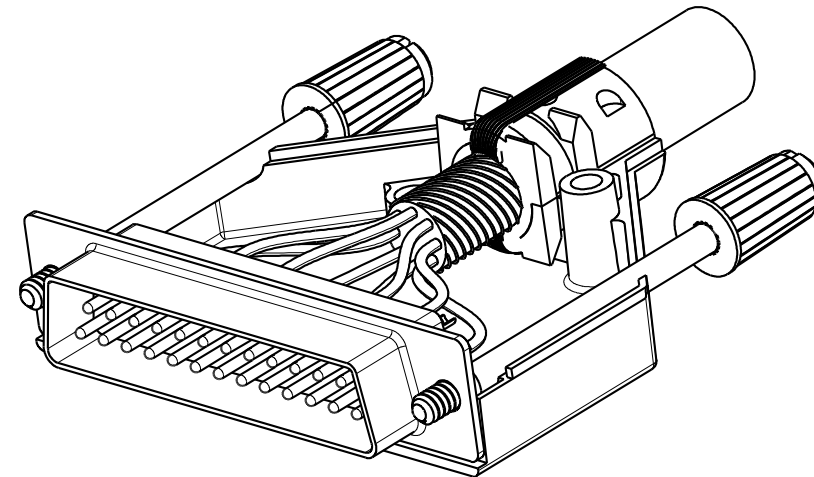
3- Attach the strain relief around the cable



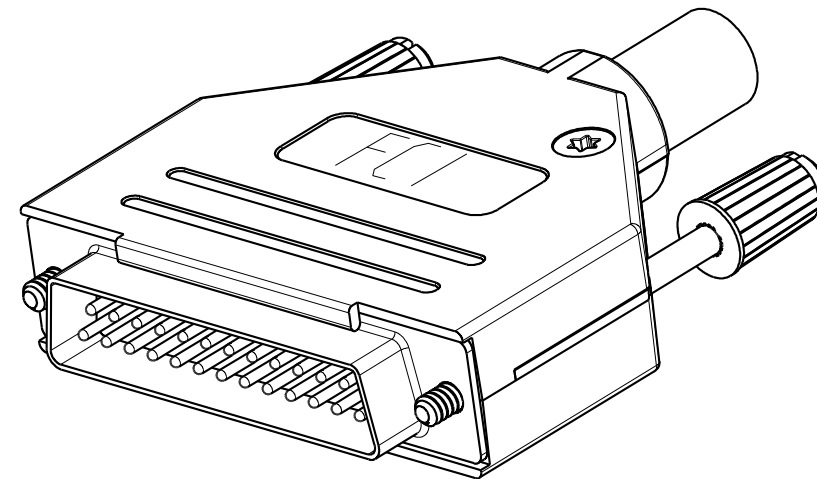
4- Bend cable shielding back on outside of strain relief



5- Mount connector and cable into the backshell



6- Assemble the other half screwing force: 100 Ncm



CABLING INSTRUCTIONS FOR CABLE

Ø > 9 to 11 mm

1- Use one half of strain relief, (Ø9).

|                     |         |              |            |             |          |                        |               |              |     |
|---------------------|---------|--------------|------------|-------------|----------|------------------------|---------------|--------------|-----|
| spec ref            | dr      | A Parrenin   | 2009/05/20 | projection  | mm       | size                   | A3            | scale        | 3:2 |
| tolerance std       | eng     | D Detouillon | 2017/01/16 |             |          | ecn no                 | ELX-F-25931-1 |              |     |
| ISO 406<br>ISO 1101 | chr     | J Dalibard   | 2017/01/16 |             |          |                        | rel level     | Released     |     |
| surface             | linear  | 0.X          | ±/         |             |          | dwg no                 | 10085962      |              | rev |
|                     |         | 0.XXX        | ±/         |             |          |                        | F             |              |     |
| ISO 1302            | angular | 0°           | ±/°        | www.fci.com | cat. no. | Product - Customer Drw |               | sheet 3 of 3 |     |