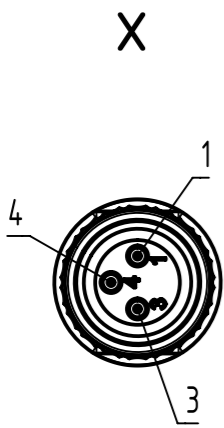
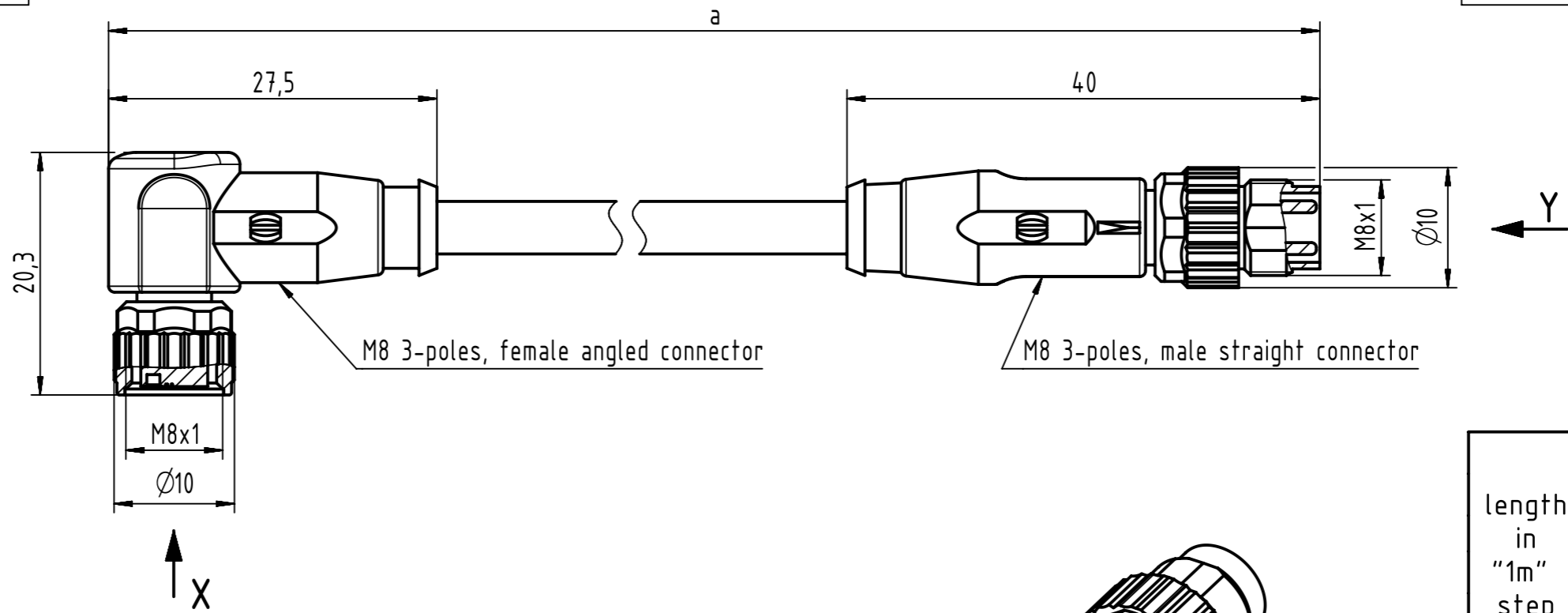


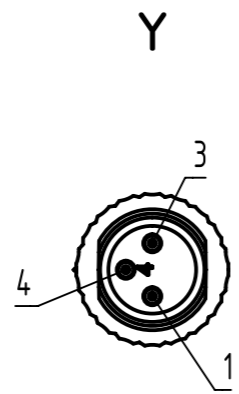
Connector Location A

Connector Location B

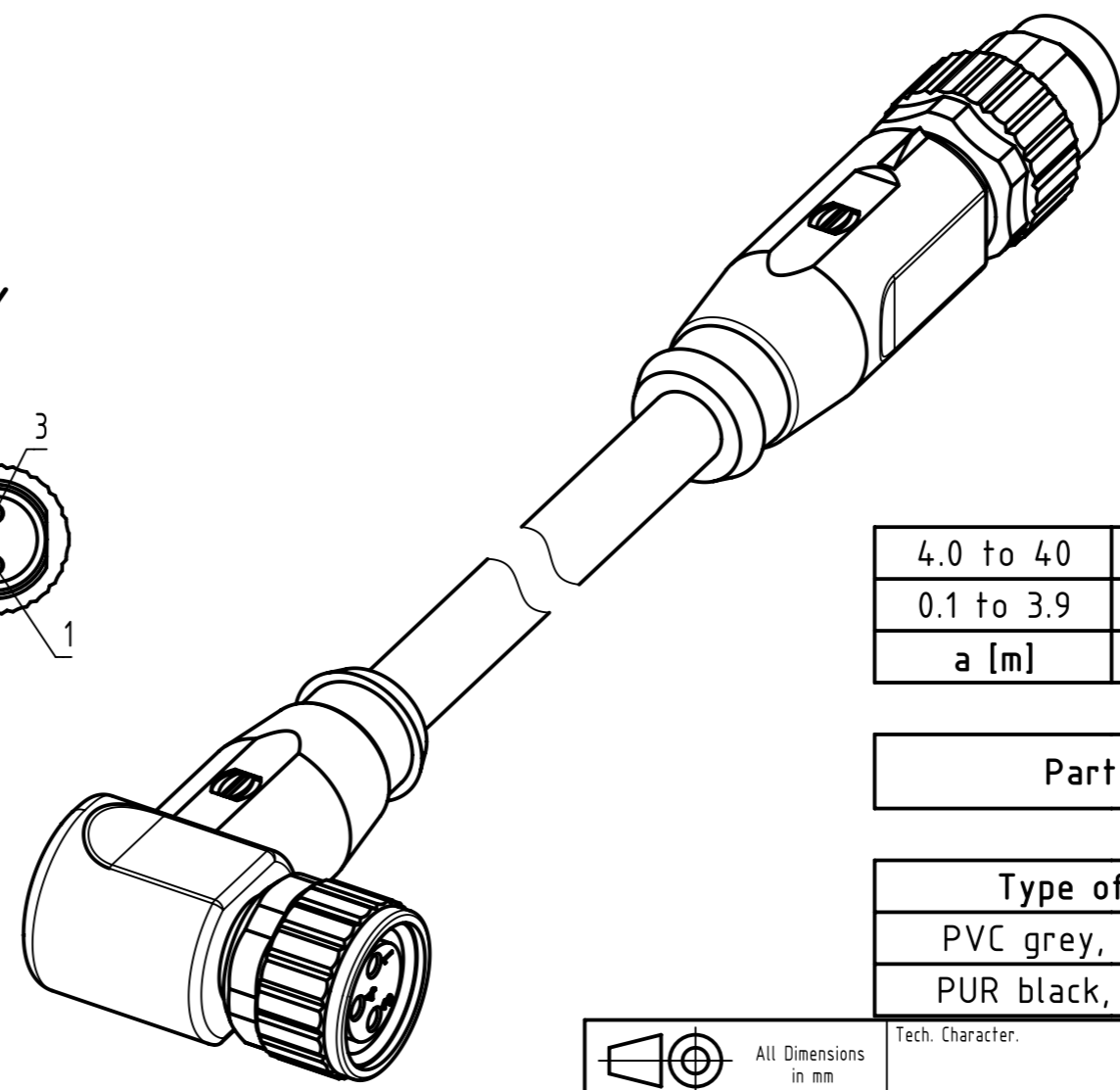


Loading-Plan:

- 1 — brown — 1
- 3 — blue — 3
- 4 — black — 4



- Protection level: IP 65/67
 - Temperature range: -25°C ... +80°C



length in "1m" step	40	XXX=400
	39	XXX=390

	12	XXX=120
	11	XXX=110
length in "0.1m" step	10	XXX=100
	9.9	XXX=099
	9.8	XXX=098

	0.4	XXX=004
	0.3	XXX=003
	0.2	XXX=002
	0.1	XXX=001
Step	a [m]	XXX

4.0 to 40	+1%
0.1 to 3.9	+0.04
a [m]	Tolerance

Part no.	213480833XXXXX
Type of cable	XX
PVC grey, 3x0.25mm ²	XX=80
PUR black, 3x0.25mm ²	XX=88

All rights reserved Department HCS - RO HARTING Customised Solutions D-32427 Minden	All Dimensions in mm Tech. Character. Free size tol. According to production drawing 2016-09-06	Created by MUNTEANV Inspected by POPESCUD Standardisation AVRAM Date 2016-10-18 State Final Release	Title M8 Cable Assembly Doc-Key / ECM-Nr. 100578025/UGD/009/B 500000110271
	Type TB Number 213480833XXXXX Rev. B Page 1/1		