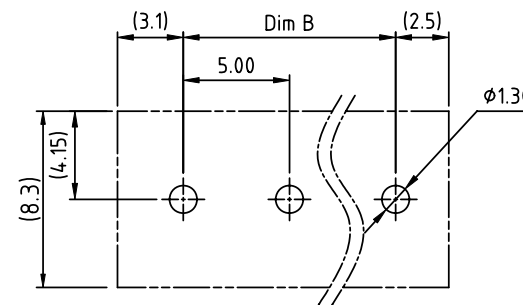
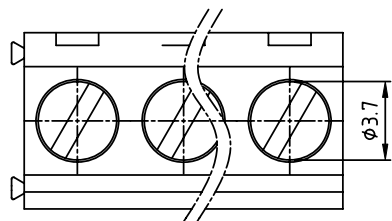
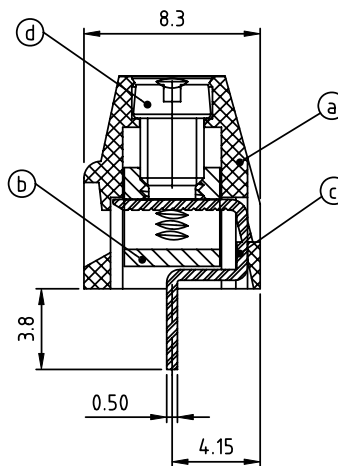
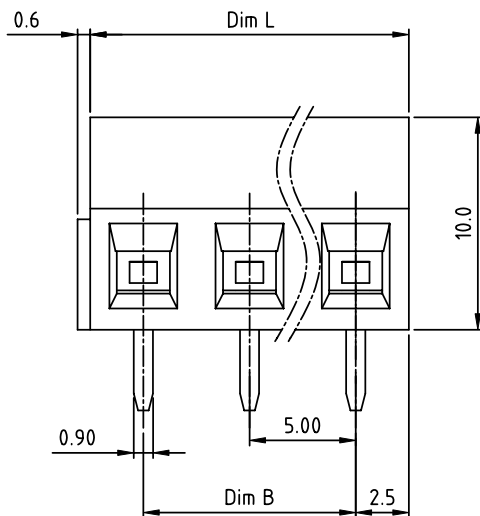


PRODUCT NUMBER	PITCH
T0xx01x200J0G	5.00 mm



RECOMMENDED P.C.B LAYOUT
TOP VIEW



Material:

- Item (a) Terminal housing: Thermoplastic (UL 94V-0)
- Item (b) Clamp: Brass, Ni plated
- Item (c) Solder pin: Brass, Tin plated
- Item (d) Terminal screw: Steel Zinc plating"- "slot type

Electrical UL / VDE

- Voltage rating: 300VAC/250VAC
- Current rating: 10A/10A
- Wire range: 0.5-1.5mm²
- Solid wire(AWG): 16-26
- Stranded wire(AWG): 16-26
- Torque: 3.5Lb-In/0.4N.m
- Screw: M3.0
- Wire strip length: 5-6mm
- Withstanding Voltage: 1.6KV/2KV
- Operating temperature: -40°C to +115°C
- Soldering temperature: 260°C±5°C/5 Sec
- Safety Approval:

N=NUMBER OF POLES

Dim L=N×5.00
Dim B=(N-1)×5.00

POLES	Dim A & B Tolerance
2P-6P	±0.15
7P-12P	±0.25
13P-18P	±0.35
19P-24P	±0.40

PART NO.: TO xx 0 1 x 2 00J0 G

End stackable 0	Color	RoHS compliant
No. of poles 2	Black (RAL9005)	(lead<4%)
02 2 poles 3	Red (RAL3001/D)	In copper Alloy
03 3 poles 4	Orange(RAL2011/P)	
...	4 Yellow(RAL1018/A)	
...	5 Green(RAL6018/T)	
24 24 poles 6	Blue (RAL5015/A)	
	8 Grey(RAL7035/D)	
	9 White(RAL1102)	
	C Green(RAL6018/U)	

mat'l. code		surface ASME Y14.5	tolerance ASME Y14.5	projection 	product family TERMINAL BLOCK
ltr	ecn no	dr	date	MM	title TERMINAL BLOCK
					scale RISING CLAMP,180D WIRE INLET,STACABLE TYPE
		angles	φ	FCI	dwg no T0xx01x200J0G
		X*±1"	X.XX±0.1		sheet 1 of 1 size A4
		dr	EVIN ZHONG 040814	type CUSTOMER Drawing	
		enrg	EVIN ZHONG 040814		
		chr	HANKE FENG 040814		
		appd	SHI JUN 040814		
sheet index	revision sheet	A	1		