

THIS DRAWING IS UNPUBLISHED. RELEASED FOR PUBLICATION
 © COPYRIGHT - By - ALL RIGHTS RESERVED.

LOC		DIST		REVISIONS			
P	LTR	DESCRIPTION		DATE	DWN	APVD	
	J	REVISED PER ECR-11-002363		05MAY11	TT	TM	

注記

1 材料: ガラス入り熱可塑性ポリエステル樹脂

黒	7-178128-3以外
オレンジ	7-178128-3
色	製品番号

△ハウジング全面にテフロン塗装のこと

3 製品規格: 108-5349

4 文字の形状、大きさ、および位置については、大略を示すものであり、詳細を示すものではありません。

NOTE

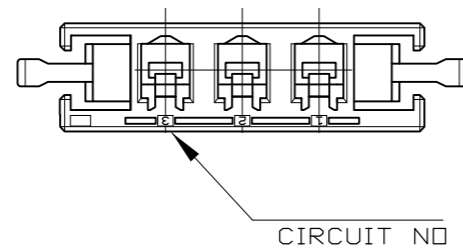
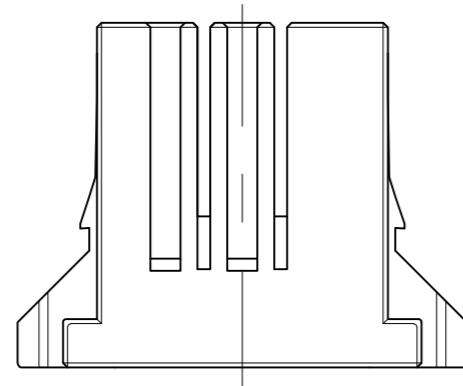
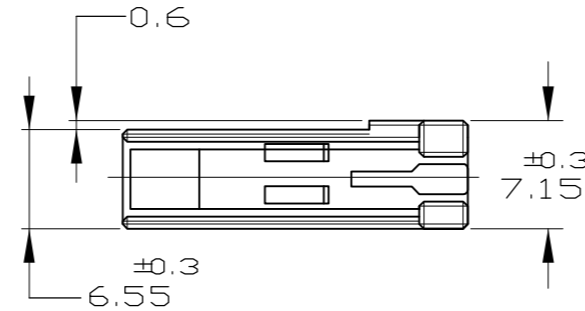
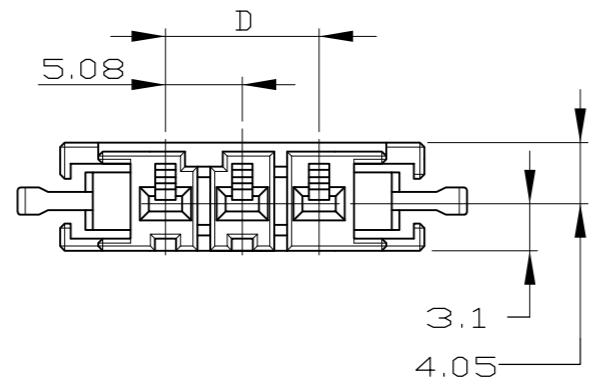
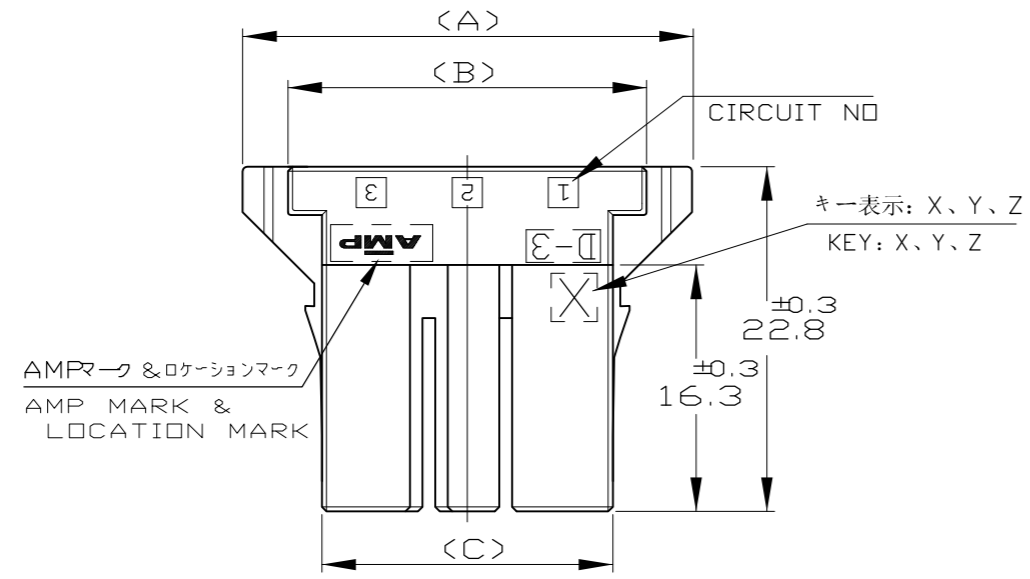
1 MATERIAL: GLASS FIELD THERMO PLASTIC, POLYESTER

BLACK	EXCEPT 7-178128-3
ORANGE	7-178128-3
COLOR	PART NUMBER

△ TO COAT ALL SURFACE OF HOUSING WITH TEFLON

3 PRODUCT SPEC: 108-5349

4 THE SHAPE, SIZE AND POSITION OF THE CHARACTER SHOW THE OUTLINE THEY DON'T SHOW DETAILS



FINISH	KEYING LOCATION	KEYING	D	C	B	A	<PART NO.>
							2-178128-6
							1-178128-6
							2-178128-5
							1-178128-5
OBSOLETE	△	Y	15.24	24.32	29.18	34.78	6-178128-4
OBSOLETE	△	X	15.24	24.32	29.18	34.78	5-178128-4
		Y	15.24	24.32	29.18	34.78	2-178128-4
		X	15.24	24.32	29.18	34.78	1-178128-4
OBSOLETE	△	X	10.16	19.24	24.10	29.7	7-178128-3
OBSOLETE	△	Y	10.16	19.24	24.10	29.7	6-178128-3
OBSOLETE	△	X	10.16	19.24	24.10	29.7	5-178128-3
		Z	10.16	19.24	24.10	29.7	3-178128-3
		Y	10.16	19.24	24.10	29.7	2-178128-3
		X	10.16	19.24	24.10	29.7	1-178128-3
OBSOLETE	△	Y	5.08	14.16	19.02	24.62	6-178128-2
OBSOLETE	△	X	5.08	14.16	19.02	24.62	5-178128-2
		Y	5.08	14.16	19.02	24.62	2-178128-2
		X	5.08	14.16	19.02	24.62	1-178128-2

SEE SHEET 2 OF 2

THIS DRAWING IS A CONTROLLED DOCUMENT.

DWN: N. MATSUBARA 01DEC93
 CHK: S. MANABE 13DEC95
 APVD: S. MANABE 13DEC95

TE Connectivity

DYNAMIC D-3200, 5.08 PITCH RECEPTACLE HOUSING (KEY:X,Y)

SIZE: A2 CAGE CODE: 00779 DRAWING NO: C=178128 RESTRICTED TO: -

SCALE: 1:1 SHEET: 1 OF 2 REV: J

CUSTOMER DRAWING

THIS DRAWING IS UNPUBLISHED. RELEASED FOR PUBLICATION
 © COPYRIGHT - By - ALL RIGHTS RESERVED.

LOC		DIST		REVISIONS			
P	LTR	DESCRIPTION	DATE	DWN	APVD		
-	-	SEE SHEET 1	-	-	-		

本図 1- -5,2- -5,1- -6,2- -6:AS SHOWN

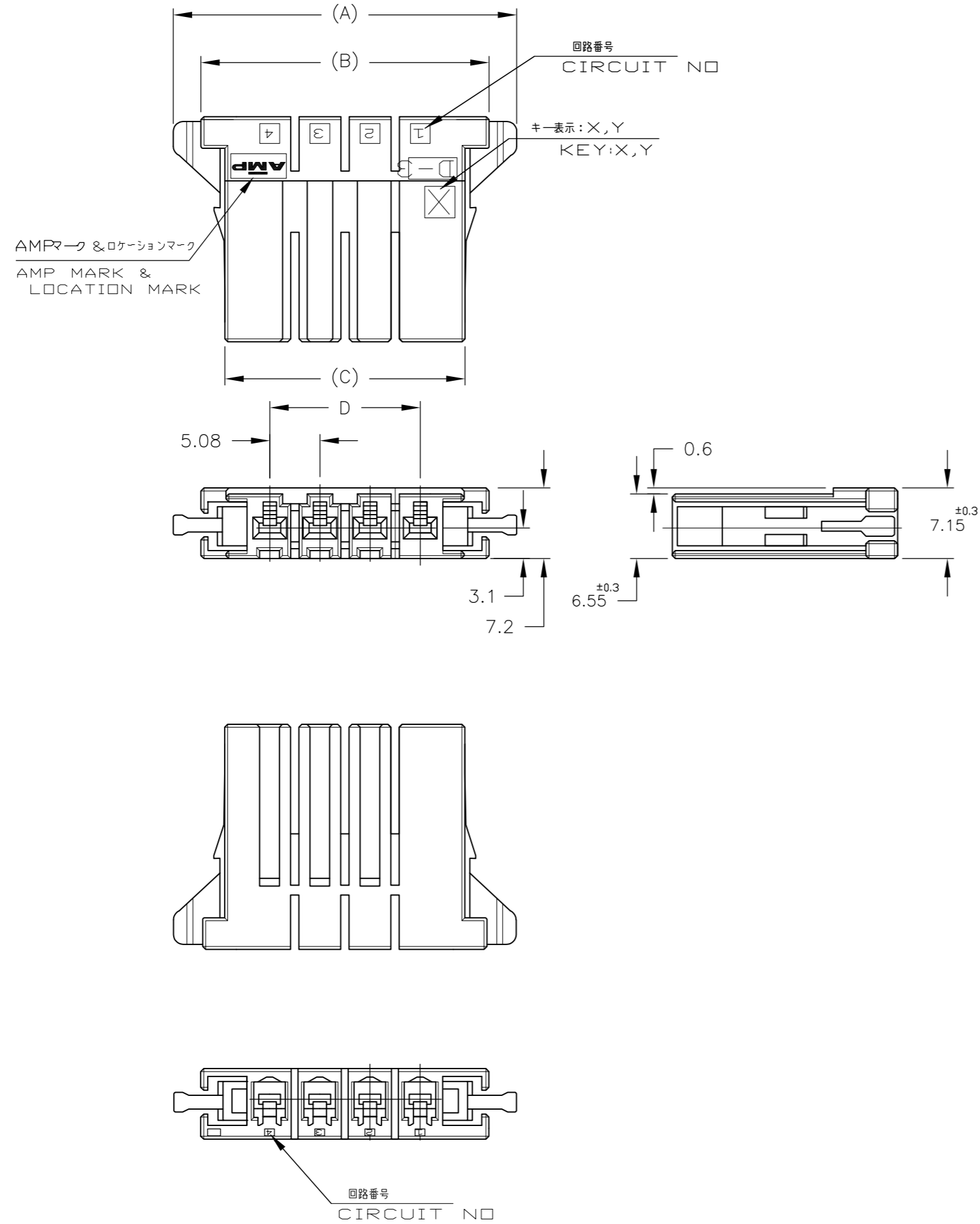
NOTE
 1 MATERIAL:GLASS FIELD THERMO PLASTIC,POLYESTER

BLACK	EXCEPT 7-178128-3
ORANGE	7-178128-3
COLOR	PART NUMBER

2 TO COAT ALL SURFACE OF HOUSING WITH TEFLON
 3 PRODUCT SPEC. : 108-5349
 4 THE SHAPE,SIZE AND POSITION OF THE CHARACTER SHOW THE OUTLINE THEY DON'T SHOW DETAILS

注記
 1 材料：ガラス入り熱可塑性ポリエステル樹脂
 2 ハウジング全面にテフロン塗装のこと
 3 製品規格：108-5349
 4 文字の形状、大きさ、および位置については、大略を示すものであり、詳細を示すものではありません。

黒	7-178128-3 以外
オレンジ	7-178128-3
色	製品番号



KEYING LOCATION	KEYING	D	C	B	A	製品番号 (PART NO.)
	Y	25.4	34.48	39.34	44.94	2-178128-6
	X	25.4	34.48	39.34	44.94	1-178128-6
	Y	20.32	29.4	34.26	39.86	2-178128-5
	X	20.32	29.4	34.26	39.86	1-178128-5
						6-178128-4
						5-178128-4
						2-178128-4
						1-178128-4
						7-178128-3
						6-178128-3
						5-178128-3
						3-178128-3
						2-178128-3
						1-178128-3
						6-178128-2
						5-178128-2
						2-178128-2
						1-178128-2

SEE SHEET 1 OF 2

THIS DRAWING IS A CONTROLLED DOCUMENT.

DWN K.IKEDA 28JUL95	TE Connectivity DYNAMIC D-3200, 5.08 PITCH RECEPTACLE HOUSING (KEY:X,Y)					
CHK Y.ISHIKAWA 31JUL95						
APVD S.MANABE 02AUG95						
PRODUCT SPEC						
MATERIAL	FINISH	WEIGHT	SCALE	CAGE CODE	DRAWING NO	RESTRICTED TO
SEE NOTE	-	-	A2	00779	C=178128	-
CUSTOMER DRAWING			SCALE	SHEET	REV	
			1:1	2 of 2	J	