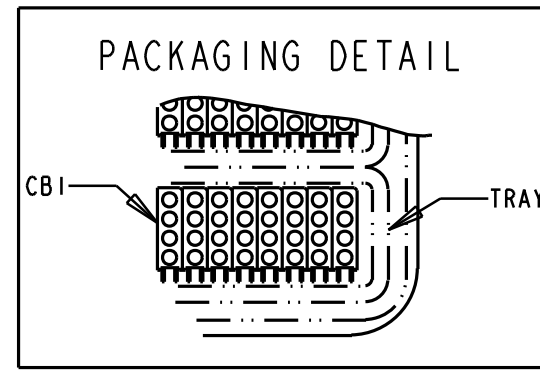
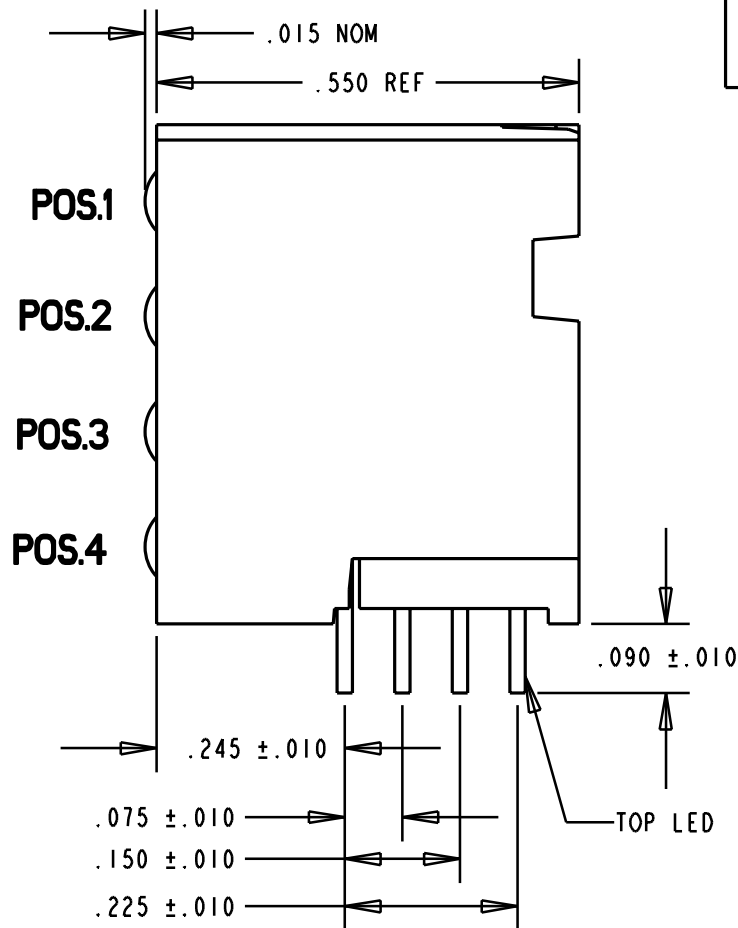
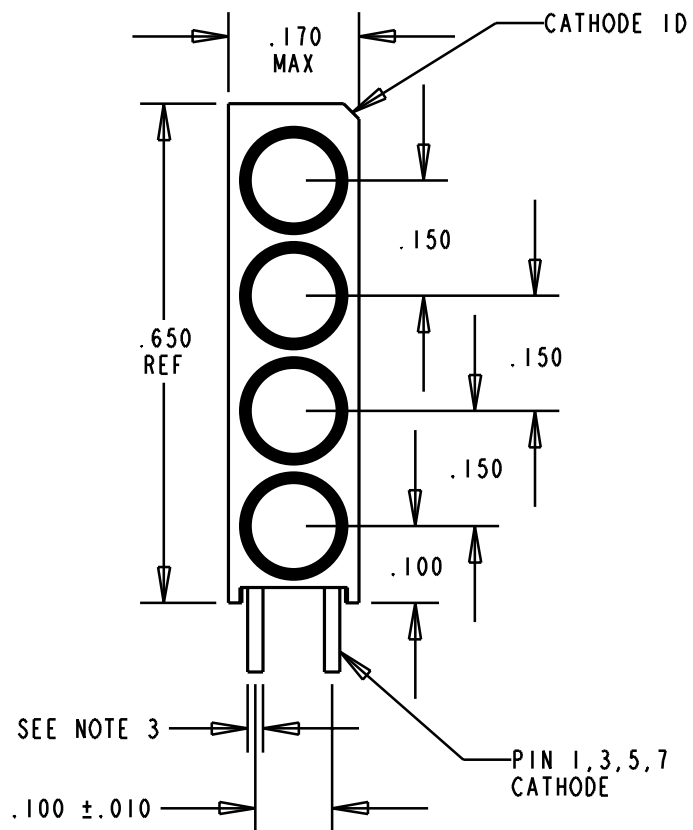
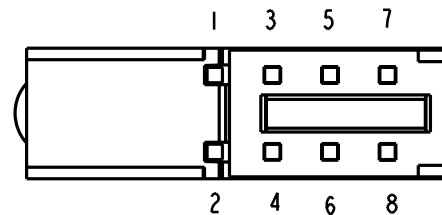
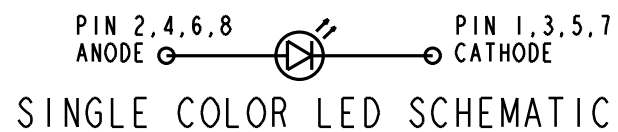


PART NUMBER	POSITION 1	POSITION 2	POSITION 3	POSITION 4
568-0004-868	GREEN	GREEN	GREEN	GREEN
568-0004-869	GREEN	YELLOW	GREEN	YELLOW
568-0004-870	GREEN	RED	YELLOW	GREEN



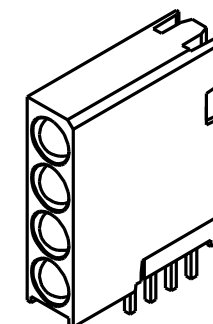
OPERATING CHARACTERISTICS AT 25°C AMBIENT						
CHARACTERISTICS	LED COLOR	MIN	TYP	MAX	UNITS	TEST CONDITIONS
LUMINOUS INTENSITY	RED	7.4	10.0		mcd	I F = 10 mA
	YELLOW	7.4	10.0			
	GREEN	4.7	12.6			
FORWARD VOLTAGE	RED		2.0	2.8	V	I F = 20 mA
	YELLOW		2.1	2.8		
	GREEN		2.1	2.8		
REVERSE CURRENT	ALL			100	μA	V R = 5 V
PEAK WAVELENGTH	RED		635		nm	
	YELLOW		585			
	GREEN		565			
VIEWING ANGLE	ALL		60		Degree	
CAPACITANCE	RED		20		pf	V F = 0, f = 1 MHz
	YELLOW		15			
	GREEN		35			

ABSOLUTE MAXIMUM RATING AT 25°C AMBIENT		UNITS	RED	YELLOW	GREEN
POWER DISSIPATION		mW	100	60	100
DERATE LINEARLY FROM 50°C		mA/°C	0.4	0.25	0.4
CONTINUOUS FORWARD CURRENT		mA	30	20	30
PEAK FORWARD CURRENT (1/10 DUTY CYCLE, 0.1 ms PULSE WIDTH)		mA	120	80	120
LEAD SOLDERING TEMPERATURE, 5 SEC., 1/16" FROM BODY		°C	260	260	260
OPERATING TEMPERATURE		°C	-55 TO 100	-55 TO 100	-55 TO 100
STORAGE TEMPERATURE		°C	-55 TO 100	-55 TO 100	-55 TO 100

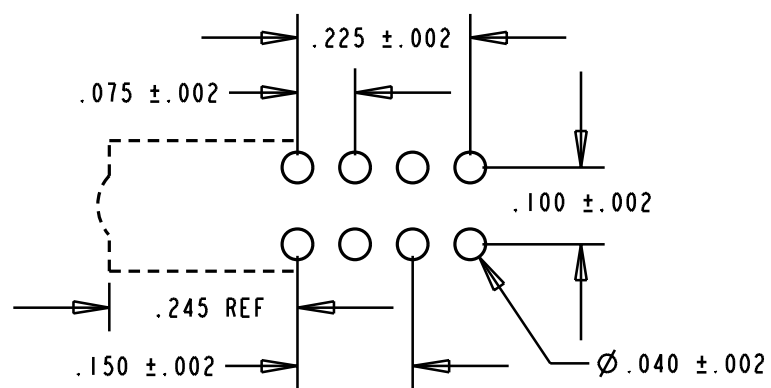


NOTES:

- LEADS TO FIT INTO HOLES SPACED AS PER HOLE PATTERN
- LEADS TO BE FREE OF DEFORMATION AFTER BENDING AND CUTTING
- LEAD THICKNESS = .018x.016 NOM.TYP FOR SINGLE COLOR
- LED LEAD DIMENSIONS SHOWN ARE MEASURED AT HOUSING EXIT
- PACKAGING = BLOCKS TO BE PLACED IN CLEAR ANTISTATIC TRAY  
235 BLOCKS/TRAY x 9 TRAYS/BOX = 2115 BLOCKS/BOX
- DIALIGHT PART NUMBER = SEE CHART FOR COLOR COMBO  
568-0004-868    568-004-869  
568-0004-870



SCALE 2.000



RECOMMENDED HOLE PATTERN

THIS DRAWING AND THE CONTENTS HEREIN ARE CONFIDENTIAL AND THE SOLE PROPERTY OF DIALIGHT. REPRODUCTION OF THIS DRAWING OR CONSTRUCTION OF ANY PARTS WITHIN THIS DRAWING ARE FORBIDDEN WITHOUT THE WRITTEN CONSENT OF DIALIGHT.

SCALE 4:1	DRAWING NUMBER	REV
ALL DIM'S IN: INCHES	C-16351	C
TOLERANCES: UNLESS OTHERWISE SPECIFIED	TITLE EXTENDED 4x1 SINGLE CBI BLOCK	
FRACTIONS: ±1/64	MATERIAL	
DECIMALS (.XX): ±.020	Dialight	
DECIMALS (.XXX): ±.015	1913 ATLANTIC AVE.	
DECIMALS (.XXXX): ±.010	MANASQUAN, N.J. 08736	
ANGLES: ±3°	SHEET OF FAMILY TABLE:	
FINISH:	FSCM 83330	