

DESCRIPTION: M12 FEMALE - RIGHT ANGLE - 8 POS.

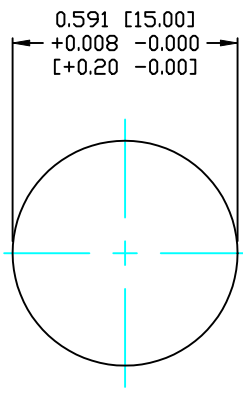
NOTE:

MATERIAL  
 HOUSING: PBT UL94V-0, BLACK  
 CONTACT: BRASS  
 NUT: BRASS  
 O-RING: NBR, BLACK  
 BACK HOUSING: PBT, UL94V-0, BLACK  
 DOWN HOUSING: PBT, UL94V-0, BLACK

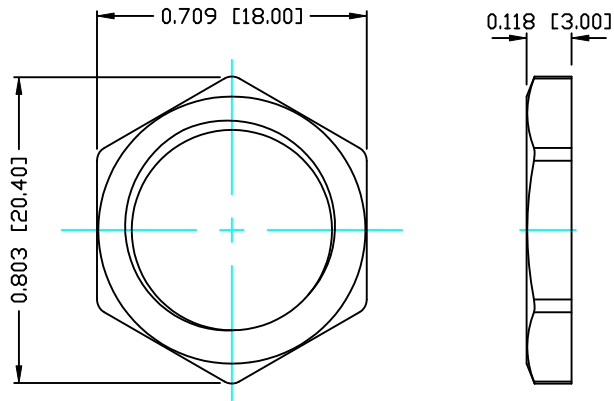
FINISH  
 CONTACT: GOLD PLATED  
 UNDER PLATE: NICKEL  
 SHELL: STAIN NICKEL (80-100µ) OVER ALL

ELECTRICAL  
 RATED CURRENT: 3A  
 RATED VOLTAGE: 125V  
 INSULATION RESISTANCE: 100 MΩhms MIN.  
 CONTACT RESISTANCE: 10 MΩhms MAX.  
 WATER PROOF: IP67

ENVIRONMENT  
 OPERATION TEMPERATURE: -40°C TO +85°C



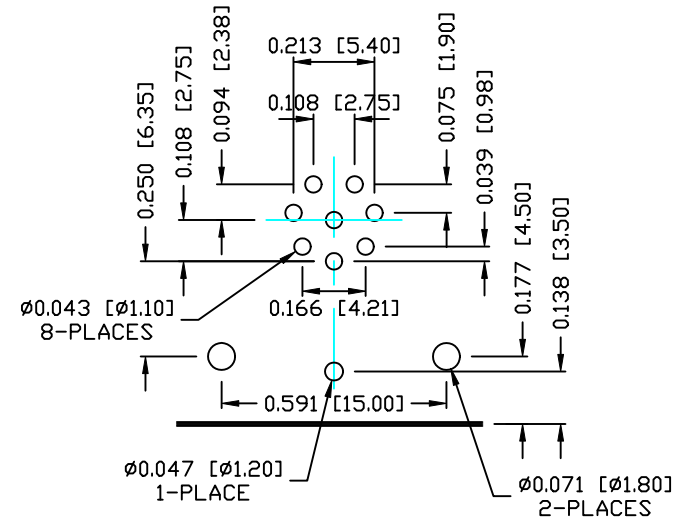
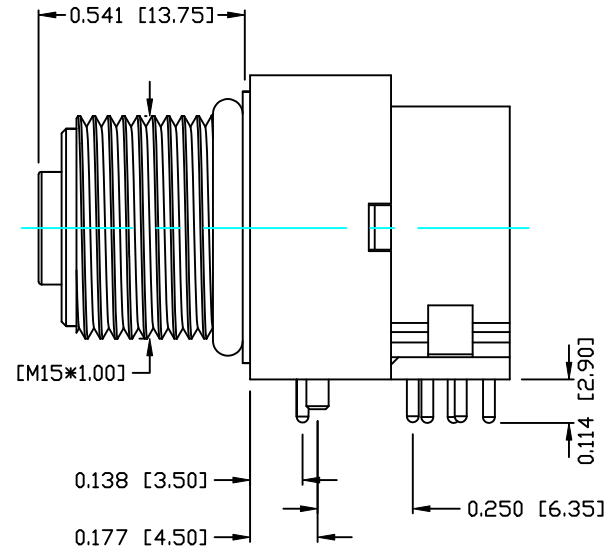
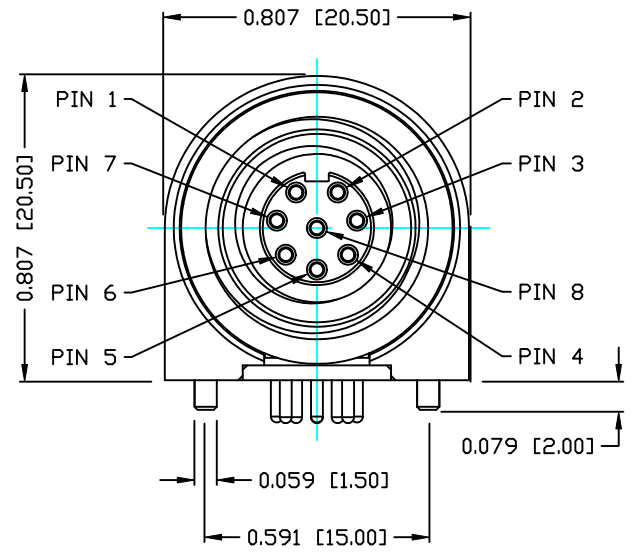
PANEL CUTOUT



NUT

861-008-213R00Y

1 = GOLD FLASH  
 4 = 10µ" GOLD



PLC LAYOUT

RoHS COMPLIANT

DO NOT SCALE FROM DRAWING



THESE DRAWINGS AND SPECIFICATIONS ARE THE PROPERTY OF NorComp AND SHALL NOT BE REPRODUCED, COPIED OR USED AS THE BASIS FOR THE MANUFACTURE OR SALE OF APPARATUS WITHOUT WRITTEN PERMISSION.

DRAWN: M. SIGMON  
 DATE: 03-07-16  
 CHECKED:  
 DATE:

NorComp

SCALE: N.T.S.  
 SHEET 1 OF 1  
 REV 1  
 DWG NO. 861-008-213R00Y