

656 Series

High Intensity LED Panel Mount Indicators



Application:

The 656 Series LED Panel Mount Indicators are designed for a variety of applications such as:

- Safety Applications
- Instrument Panels
- Vending/Gaming
- Display Lighting
- Transportation - rail, bus, airline

and many more!

Certifications & Ratings

- UL1598: wire leads - UL listed; terminals - UL recognized
- NEMA 4X
- IP67
- RoHS compliant - w/6C exemption

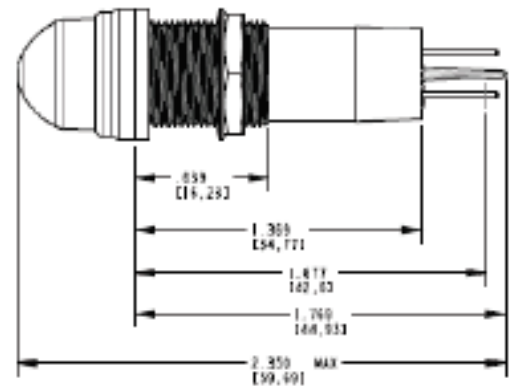
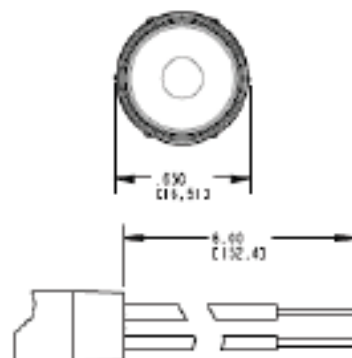
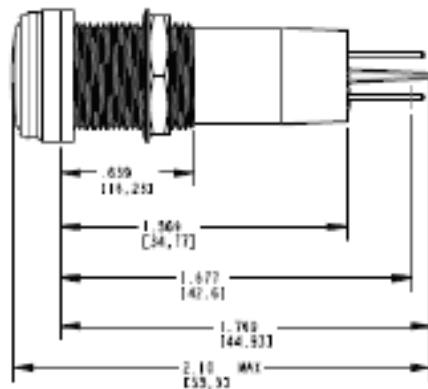
Mechanical information

Mounting Hole Size:	0.500" (12.7mm)
Max Panel Thickness:	0.450" (11.43mm)
Mounting Torque:	5 In-lbs

Specifications

Voltage Options:	5 to 125V DC and 125, 230V AC (Bi-color 5, 12, 24V DC)	Lens Material:	Transparent polycarbonate (UL 94V-0)
Operating Temp:	-30°C to +85°C (22°F to +185°F)	Wire Leads:	18 AWG
Storage Temp:	-40°C to +100°C (-40°F to +212°F)	Lock Washer:	White Nickel Plated Bronze
Electrical Connection:	110 Faston quick connect terminals or 6" wire leads	Nut:	White Nickel Plated Brass
Housing:	White Nickel Plated Brass, other plating options available		

Dimensions



Dimension are in Inches [mm]

PART NUMBER*	LENS STYLE	COLOR	VOLTAGE	VOLTAGE TYPE	TYP CURRENT (mA)	TYPICAL INTENSITY (mcd)
656-1002-303F	FLAT	WHITE	5	V DC	15	1510
656-1102-303F	FLAT	RED	5	V DC	16	1150
656-1202-303F	FLAT	GREEN	5	V DC	15	1600
656-1302-303F	FLAT	YELLOW	5	V DC	16	990
656-1352-303F	FLAT	ORANGE	5	V DC	16	1850
656-1402-303F	FLAT	BLUE	5	V DC	15	237
656-1122-303F	FLAT	RED/GREEN	5	V DC	11/8	330/910
656-1322-303F	FLAT	YELLOW/GREEN	5	V DC	11/8	320/864
656-1003-303F	FLAT	WHITE	12	V DC	18	1310
656-1103-303F	FLAT	RED	12	V DC	18	1100
656-1203-303F	FLAT	GREEN	12	V DC	16	1140
656-1303-303F	FLAT	YELLOW	12	V DC	18	880
656-1353-303F	FLAT	ORANGE	12	V DC	18	1850
656-1403-303F	FLAT	BLUE	12	V DC	16	290
656-1123-303F	FLAT	RED/GREEN	12	V DC	10/9	330/910
656-1323-303F	FLAT	YELLOW/GREEN	12	V DC	10/9	320/864
656-1004-303F	FLAT	WHITE	24	V DC	20	1310
656-1104-303F	FLAT	RED	24	V DC	20	1100
656-1204-303F	FLAT	GREEN	24	V DC	20	1140
656-1304-303F	FLAT	YELLOW	24	V DC	20	880
656-1354-303F	FLAT	ORANGE	24	V DC	20	1850
656-1404-303F	FLAT	BLUE	24	V DC	20	290
656-1124-303F	FLAT	RED/GREEN	24	V DC	11/10	330/910
656-1324-303F	FLAT	YELLOW/GREEN	24	V DC	11/10	320/864
656-1006-303F	FLAT	WHITE	28	V DC	19	1310
656-1106-303F	FLAT	RED	28	V DC	19	1100
656-1206-303F	FLAT	GREEN	28	V DC	18	1140
656-1306-303F	FLAT	YELLOW	28	V DC	19	880
656-1356-303F	FLAT	ORANGE	28	V DC	19	1850
656-1406-303F	FLAT	BLUE	28	V DC	18	290
656-1008-303F	FLAT	WHITE	37.5	V DC	8.5	400
656-1108-303F	FLAT	RED	37.5	V DC	8.5	230
656-1208-303F	FLAT	GREEN	37.5	V DC	8.5	450
656-1308-303F	FLAT	YELLOW	37.5	V DC	8.5	190
656-1358-303F	FLAT	ORANGE	37.5	V DC	8.5	800
656-1408-303F	FLAT	BLUE	37.5	V DC	8.5	100

*For blade terminals: replace the 10th digit with "4". For example: 656-1103-304F

PART NUMBER*	LENS STYLE	COLOR	VOLTAGE	VOLTAGE TYPE	TYP CURRENT (mA)	TYPICAL INTENSITY (mcd)
656-1007-303F	FLAT	WHITE	72	V DC	8.5	400
656-1107-303F	FLAT	RED	72	V DC	8.5	230
656-1207-303F	FLAT	GREEN	72	V DC	8.5	450
656-1307-303F	FLAT	YELLOW	72	V DC	8.5	190
656-1357-303F	FLAT	ORANGE	72	V DC	8.5	800
656-1407-303F	FLAT	BLUE	72	V DC	8.5	100
656-1005-303F	FLAT	WHITE	120	V AC/DC	5	400
656-1105-303F	FLAT	RED	120	V AC/DC	5	230
656-1205-303F	FLAT	GREEN	120	V AC/DC	5	450
656-1305-303F	FLAT	YELLOW	120	V AC/DC	5	190
656-1355-303F	FLAT	ORANGE	120	V AC/DC	5	260
656-1405-303F	FLAT	BLUE	120	V AC/DC	5	100
656-1009-303F	FLAT	WHITE	230	V AC	3	400
656-1109-303F	FLAT	RED	230	V AC	3	230
656-1209-303F	FLAT	GREEN	230	V AC	3	450
656-1309-303F	FLAT	YELLOW	230	V AC	3	190
656-1359-303F	FLAT	ORANGE	230	V AC	3	260
656-1409-303F	FLAT	BLUE	230	V AC	3	100
656-3002-303F	DOME	WHITE	5	V DC	15	3080
656-3102-303F	DOME	RED	5	V DC	16	2200
656-3202-303F	DOME	GREEN	5	V DC	15	2880
656-3302-303F	DOME	YELLOW	5	V DC	16	1960
656-3352-303F	DOME	ORANGE	5	V DC	16	4400
656-3402-303F	DOME	BLUE	5	V DC	15	600
656-3122-303F	DOME	RED/GREEN	5	V DC	11/8	490/1340
656-3322-303F	DOME	YELLOW/GREEN	5	V DC	11/8	480/430
656-3003-303F	DOME	WHITE	12	V DC	18	2340
656-3103-303F	DOME	RED	12	V DC	18	2000
656-3203-303F	DOME	GREEN	12	V DC	16	2110
656-3303-303F	DOME	YELLOW	12	V DC	18	1080
656-3353-303F	DOME	ORANGE	12	V DC	18	4400
656-3403-303F	DOME	BLUE	12	V DC	16	640
656-3123-303F	DOME	RED/GREEN	12	V DC	10/9	490/1340
656-3323-303F	DOME	YELLOW/GREEN	12	V DC	10/9	480/430
656-3004-303F	DOME	WHITE	24	V DC	20	2340
656-3104-303F	DOME	RED	24	V DC	20	2000

*For blade terminals: replace the 10th digit with "4". For example: 656-1103-304F

PART NUMBER*	LENS STYLE	COLOR	VOLTAGE	VOLTAGE TYPE	TYP CURRENT (mA)	TYPICAL INTENSITY (mcd)
656-3204-303F	DOME	GREEN	24	V DC	20	2110
656-3304-303F	DOME	YELLOW	24	V DC	20	1080
656-3354-303F	DOME	ORANGE	24	V DC	20	4400
656-3404-303F	DOME	BLUE	24	V DC	20	640
656-3124-303F	DOME	RED/GREEN	24	V DC	11/10	490/1340
656-3324-303F	DOME	YELLOW/GREEN	24	V DC	11/10	480/430
656-3006-303F	DOME	WHITE	28	V DC	19	2340
656-3106-303F	DOME	RED	28	V DC	19	2000
656-3206-303F	DOME	GREEN	28	V DC	18	2110
656-3306-303F	DOME	YELLOW	28	V DC	19	1080
656-3356-303F	DOME	ORANGE	28	V DC	19	4400
656-3406-303F	DOME	BLUE	28	V DC	18	640
656-3008-303F	DOME	WHITE	37.5	V DC	8.5	660
656-3108-303F	DOME	RED	37.5	V DC	8.5	410
656-3208-303F	DOME	GREEN	37.5	V DC	8.5	800
656-3308-303F	DOME	YELLOW	37.5	V DC	8.5	390
656-3358-303F	DOME	ORANGE	37.5	V DC	8.5	2000
656-3408-303F	DOME	BLUE	37.5	V DC	8.5	220
656-3007-303F	DOME	WHITE	72	V DC	8.5	660
656-3107-303F	DOME	RED	72	V DC	8.5	410
656-3207-303F	DOME	GREEN	72	V DC	8.5	800
656-3307-303F	DOME	YELLOW	72	V DC	8.5	390
656-3357-303F	DOME	ORANGE	72	V DC	8.5	2000
656-3407-303F	DOME	BLUE	72	V DC	8.5	220
656-3005-303F	DOME	WHITE	120	V AC/DC	5	660
656-3105-303F	DOME	RED	120	V AC/DC	5	410
656-3205-303F	DOME	GREEN	120	V AC/DC	5	800
656-3305-303F	DOME	YELLOW	120	V AC/DC	5	390
656-3355303F	DOME	ORANGE	120	V AC/DC	5	615
656-3405-303F	DOME	BLUE	120	V AC/DC	5	220
656-3009-303F	DOME	WHITE	230	V AC	2	660
656-3109-303F	DOME	RED	230	V AC	3	410
656-3209-303F	DOME	GREEN	230	V AC	3	800
656-3309-303F	DOME	YELLOW	230	V AC	3	390
656-3359-303F	DOME	ORANGE	230	V AC	3	615
656-3409-303F	DOME	BLUE	230	V AC	3	220

*For blade terminals: replace the 10th digit with "4". For example: 656-1103-304F

Dialight reserves the right to make changes at any time in order to supply the best product possible. The most current version of this document will always be available at: www.dialight.com/Assets/Brochures_And_Catalogs/Illumination/MDEL656CR.pdf

Warranty Statement: EXCEPT FOR THE WARRANTY EXPRESSLY PROVIDED FOR [HEREIN/ABOVE/BELOW], DIALIGHT DISCLAIMS ANY AND ALL OTHER WARRANTIES, EXPRESS OR IMPLIED, INCLUDING, WITHOUT LIMITATION, ANY WARRANTIES OF MERCHANTABILITY, FITNESS FOR A PARTICULAR PURPOSE, TITLE, AND NON-INFRINGEMENT.