



Standard Recovery Diodes (Stud Version), 150 A



DO-205AA (DO-8)

FEATURES

- Alloy diode
- High current carrying capability
- High surge current capabilities
- Stud cathode and stud anode version
- Designed and qualified for industrial level
- Material categorization: For definitions of compliance please see www.vishay.com/doc?99912



RoHS
COMPLIANT

TYPICAL APPLICATIONS

- Battery chargers
- Welders
- Machine tool controls
- High power drives
- Medium traction applications
- Freewheeling diodes

PRODUCT SUMMARY	
$I_{F(AV)}$	150 A
Package	DO-205AA (DO-8)
Circuit configuration	Single diode

MAJOR RATINGS AND CHARACTERISTICS			
PARAMETER	TEST CONDITIONS	VALUES	UNITS
$I_{F(AV)}$		150	A
	T_C	150	°C
$I_{F(RMS)}$		235	A
I_{FSM}	50 Hz	3570	A
	60 Hz	3740	
I^2t	50 Hz	64	kA ² s
	60 Hz	58	
V_{RRM}	Range	100 to 600	V
T_J		-40 to 200	°C

ELECTRICAL SPECIFICATIONS

VOLTAGE RATINGS				
TYPE NUMBER	VOLTAGE CODE	V_{RRM} , MAXIMUM REPETITIVE PEAK REVERSE VOLTAGE V	V_{RSM} , MAXIMUM NON-REPETITIVE PEAK REVERSE VOLTAGE V	I_{RRM} MAXIMUM AT $T_J = 175\text{ °C}$ mA
VS-45L(R) VS-150K(R) VS-150KS(R)	10	100	200	35
	20	200	300	
	30	300	400	
	40	400	500	
	60	600	720	



FORWARD CONDUCTION					
PARAMETER	SYMBOL	TEST CONDITIONS		VALUES	UNITS
Maximum average forward current at case temperature	$I_{F(AV)}$	180° conduction, half sine wave		150	A
				150	°C
Maximum RMS forward current	$I_{F(RMS)}$	DC at 142 °C case temperature		235	A
Maximum peak, one cycle forward, non-repetitive surge current	I_{FSM}	t = 10 ms	No voltage reapplied	3570	
		t = 8.3 ms	No voltage reapplied	3740	
		t = 10 ms	100 % V_{RRM} reapplied	3000	
		t = 8.3 ms	100 % V_{RRM} reapplied	3140	
Maximum I^2t for fusing	I^2t	t = 10 ms	No voltage reapplied	64	kA ² s
		t = 8.3 ms	No voltage reapplied	58	
		t = 10 ms	100 % V_{RRM} reapplied	45	
		t = 8.3 ms	100 % V_{RRM} reapplied	41	
Maximum $I^2\sqrt{t}$ for fusing	$I^2\sqrt{t}$	t = 0.1 to 10 ms, no voltage reapplied		640	kA ² √s
Low level value of threshold voltage	$V_{F(TO)1}$	(16.7 % $\times \pi \times I_{F(AV)} < I < \pi \times I_{F(AV)}$), $T_J = T_J$ maximum		0.67	V
High level value of threshold voltage	$V_{F(TO)2}$	(I $> \pi \times I_{F(AV)}$), $T_J = T_J$ maximum		0.83	
Low level value of forward slope resistance	r_{f1}	(16.7 % $\times \pi \times I_{F(AV)} < I < \pi \times I_{F(AV)}$), $T_J = T_J$ maximum		1.42	mW
High level value of forward slope resistance	r_{f2}	(I $> \pi \times I_{F(AV)}$), $T_J = T_J$ maximum		0.91	
Maximum forward voltage drop	V_{FM}	$I_{pk} = 471$ A, $T_J = 25$ °C, $t_p = 10$ ms sinusoidal wave		1.33	V

THERMAL AND MECHANICAL SPECIFICATIONS					
PARAMETER	SYMBOL	TEST CONDITIONS		VALUES	UNITS
Maximum junction operating and storage temperature range	T_J, T_{Stg}			-40 to 200	°C
Maximum thermal resistance, junction to case	R_{thJC}	DC operation		0.25	K/W
Maximum thermal resistance, case to heatsink	R_{thCS}	Mounting surface, smooth, flat and greased		0.10	
Mounting torque 45L	minimum		Not lubricated threads	14.1 (125)	N · m (lbf · in)
	maximum			17.0 (150)	
	minimum	Lubricated threads	12.2 (108)		
	maximum		15.0 (132)		
Mounting torque 150K 150KS	minimum		Not lubricated threads	11.3 (100)	N · m (lbf · in)
	maximum			14.1 (125)	
	minimum	Lubricated threads	9.5 (85)		
	maximum		12.5 (110)		
Approximate weight				100	g
				3.5	oz.
Case style	45L	See dimensions - link at the end of datasheet		DO-205AC (DO-30)	
	150K-A			DO-205AA (DO-8)	
	150KS			B-42	



ΔR_{thJC} CONDUCTION				
CONDUCTION ANGLE	SINUSOIDAL CONDUCTION	RECTANGULAR CONDUCTION	TEST CONDITIONS	UNITS
180°	0.031	0.023	T _J = T _J maximum	K/W
120°	0.038	0.040		
90°	0.048	0.053		
60°	0.071	0.075		
30°	0.120	0.121		

Note

- The table above shows the increment of thermal resistance R_{thJC} when devices operate at different conduction angles than DC

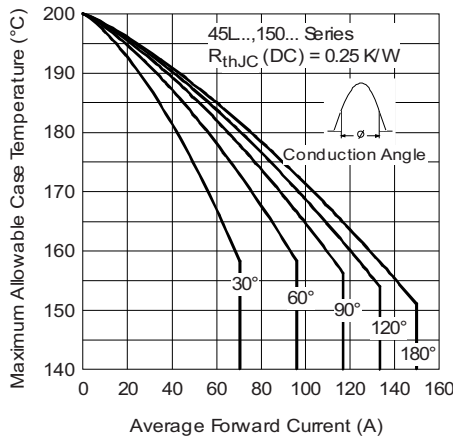


Fig. 1 - Current Ratings Characteristics

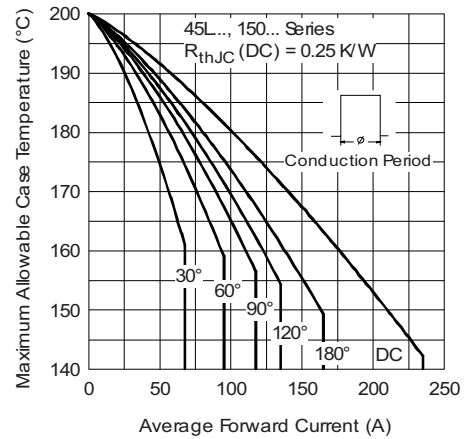


Fig. 2 - Current Ratings Characteristics

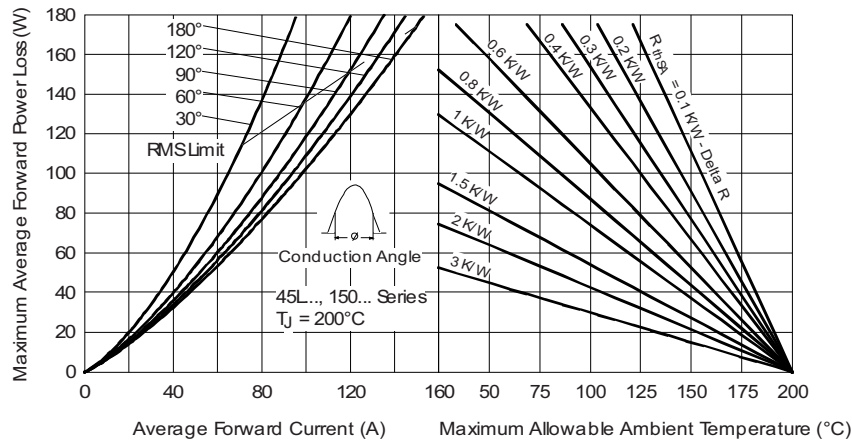


Fig. 3 - Forward Power Loss Characteristics

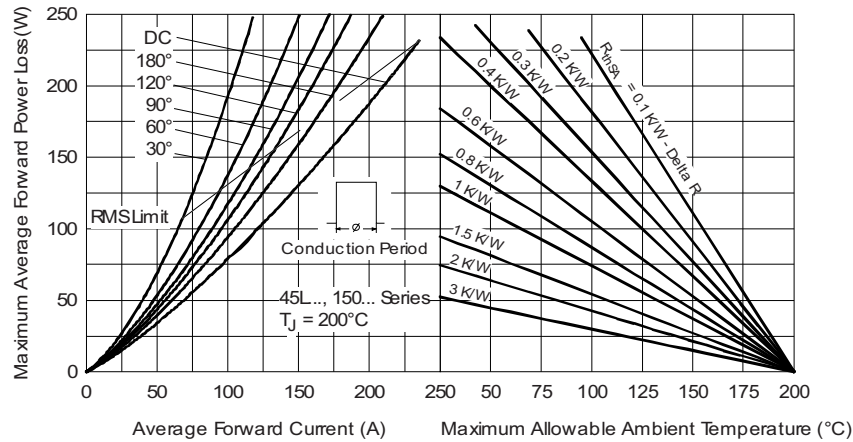


Fig. 4 - Forward Power Loss Characteristics

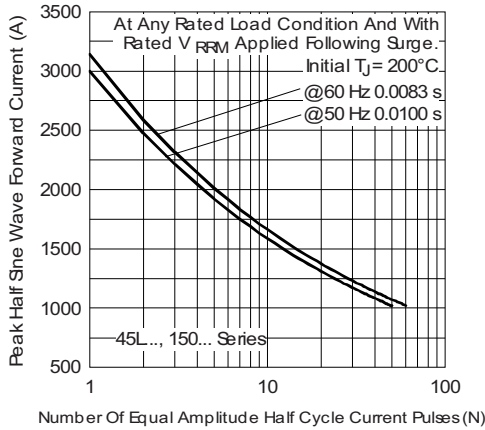


Fig. 5 - Maximum Non-Repetitive Surge Current

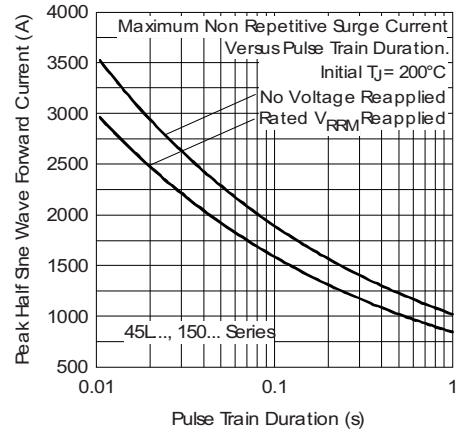


Fig. 6 - Maximum Non-Repetitive Surge Current

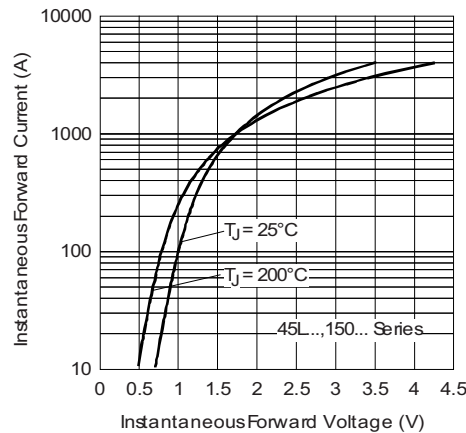


Fig. 7 - Forward Voltage Drop Characteristics

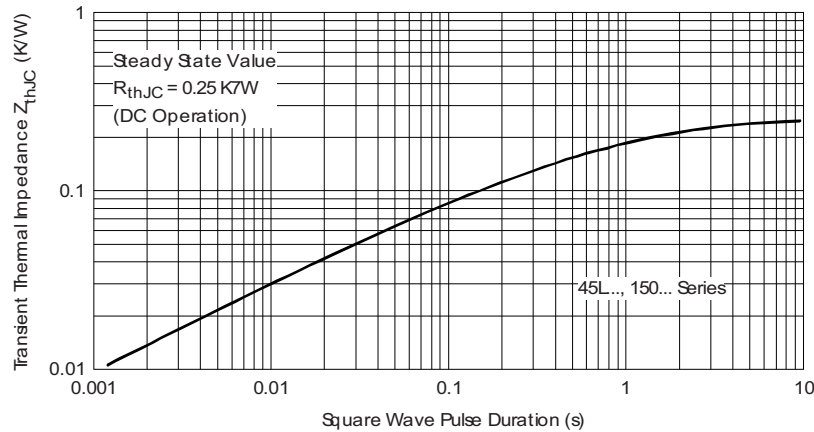


Fig. 8 - Thermal Impedance Z_{thJC} Characteristics

ORDERING INFORMATION TABLES

Device code	VS-	45	L	R	60
	①	②	③	④	⑤

- ① - Vishay Semiconductors product
- ② - 45 = Standard version
- ③ - L = Essential part number
- ④ - R = Stud reverse polarity (anode to stud)
None = Stud normal polarity (cathode to stud)
- ⑤ - Voltage code x 10 = V_{RRM} (see Voltage Ratings table)

Device code	VS-	15	0	K	R	60	A
	①	②	③	④	⑤	⑥	⑦

- ① - Vishay Semiconductors product
- ② - 15 = Essential part number
- ③ - 0 = Standard device
- ④ - Case style:
K = DO-205AA (DO-8)
KS = B-42
- ⑤ - R = Stud reverse polarity (anode to stud)
None = Stud normal polarity (cathode to stud)
- ⑥ - Voltage code x 10 = V_{RRM} (see Voltage Ratings table)
- ⑦ - A = Essential part number for 150K (omitted for 150KS)

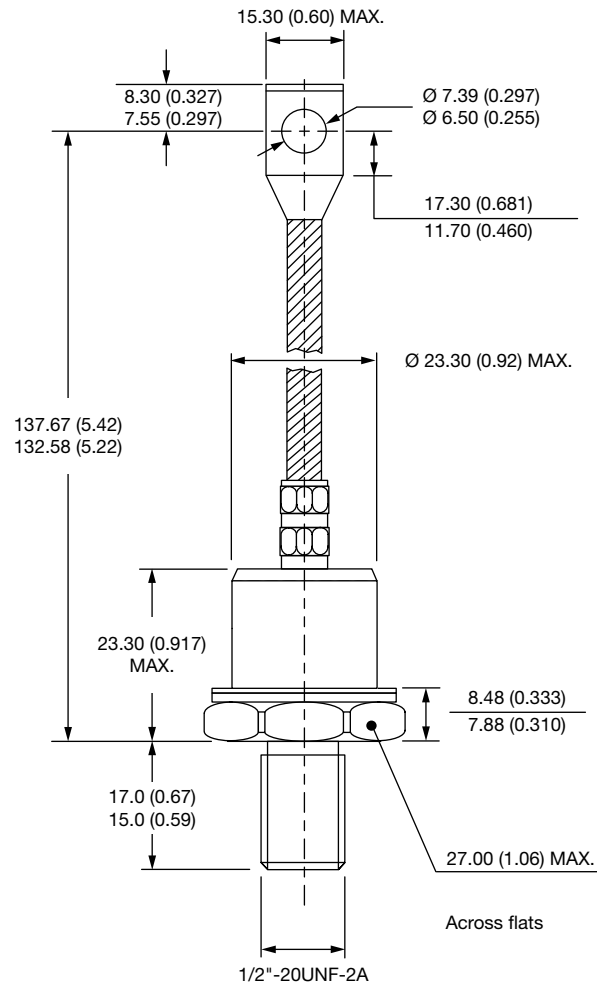
Note: For metric device M12 x 1.75 contact factory

LINKS TO RELATED DOCUMENTS	
Dimensions	www.vishay.com/doc?95314



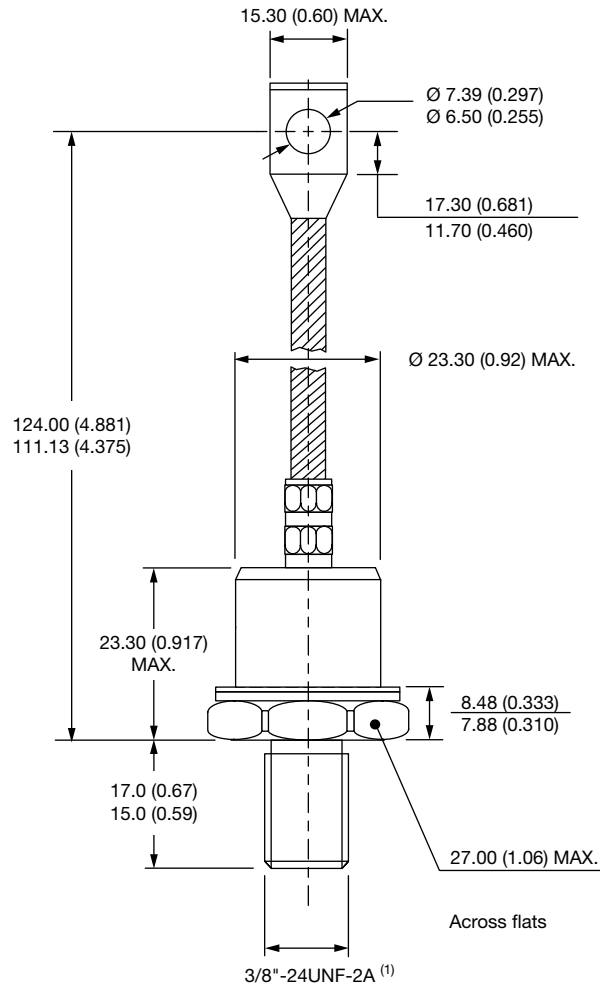
DO-205AC (DO-30), DO-205AA (DO-8) and B-42 for 45L(R), 150K(R) and 150KS(R) Series

DIMENSIONS FOR 45L(R) SERIES - DO-205AC (DO-30) in millimeters (inches)





DIMENSIONS FOR 150K(R) SERIES - DO-205AA (DO-8) in millimeters (inches)

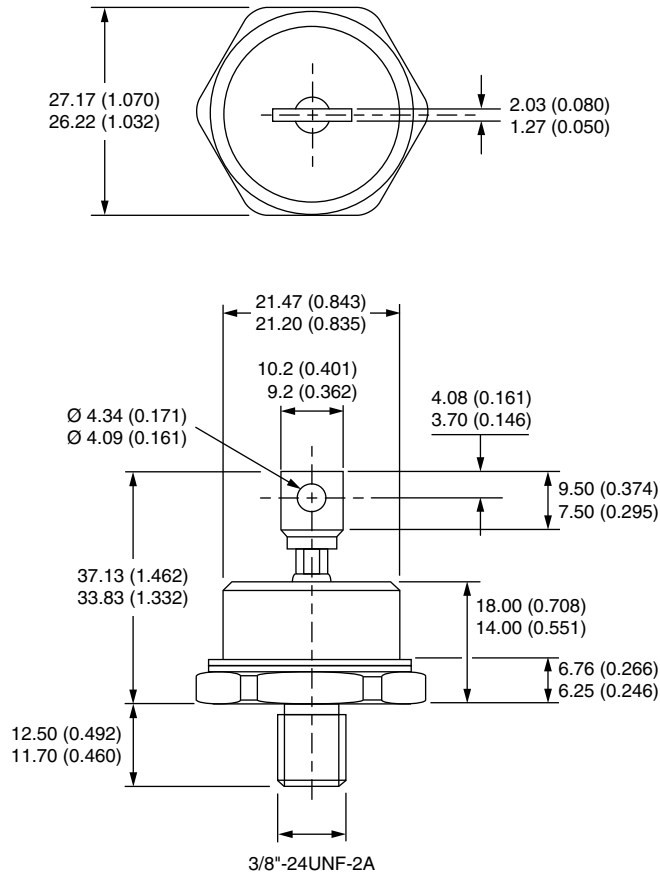


Note

⁽¹⁾ For metric device M12 x 1.75 contact factory



DIMENSIONS FOR 150KS(R) SERIES - B-42 in millimeters (inches)





Disclaimer

ALL PRODUCT, PRODUCT SPECIFICATIONS AND DATA ARE SUBJECT TO CHANGE WITHOUT NOTICE TO IMPROVE RELIABILITY, FUNCTION OR DESIGN OR OTHERWISE.

Vishay Intertechnology, Inc., its affiliates, agents, and employees, and all persons acting on its or their behalf (collectively, "Vishay"), disclaim any and all liability for any errors, inaccuracies or incompleteness contained in any datasheet or in any other disclosure relating to any product.

Vishay makes no warranty, representation or guarantee regarding the suitability of the products for any particular purpose or the continuing production of any product. To the maximum extent permitted by applicable law, Vishay disclaims (i) any and all liability arising out of the application or use of any product, (ii) any and all liability, including without limitation special, consequential or incidental damages, and (iii) any and all implied warranties, including warranties of fitness for particular purpose, non-infringement and merchantability.

Statements regarding the suitability of products for certain types of applications are based on Vishay's knowledge of typical requirements that are often placed on Vishay products in generic applications. Such statements are not binding statements about the suitability of products for a particular application. It is the customer's responsibility to validate that a particular product with the properties described in the product specification is suitable for use in a particular application. Parameters provided in datasheets and / or specifications may vary in different applications and performance may vary over time. All operating parameters, including typical parameters, must be validated for each customer application by the customer's technical experts. Product specifications do not expand or otherwise modify Vishay's terms and conditions of purchase, including but not limited to the warranty expressed therein.

Except as expressly indicated in writing, Vishay products are not designed for use in medical, life-saving, or life-sustaining applications or for any other application in which the failure of the Vishay product could result in personal injury or death. Customers using or selling Vishay products not expressly indicated for use in such applications do so at their own risk. Please contact authorized Vishay personnel to obtain written terms and conditions regarding products designed for such applications.

No license, express or implied, by estoppel or otherwise, to any intellectual property rights is granted by this document or by any conduct of Vishay. Product names and markings noted herein may be trademarks of their respective owners.