

CIOC 4-4-FV


Order No.: 1701401



<http://eshop.phoenixcontact.de/phoenix/treeViewClick.do?UID=1701401>

Header, Nominal current: 3 A, Number of positions: 4, Pitch: 2 mm,
Color: black, Metal surface: Au, Assembly: Soldering

Commercial data

| | |
|--------------------------|--|
| GTIN (EAN) |  |
| sales group | E194 |
| Pack | 50 pcs. |
| Customs tariff | 85366990 |
| Catalog page information | Page 177 (NTK-2010) |

Product notes

WEEE/RoHS-compliant since:
02/25/2005



<http://www.download.phoenixcontact.com>
Please note that the data given here has been taken from the online catalog. For comprehensive information and data, please refer to the user documentation. The General Terms and Conditions of Use apply to Internet downloads.

Technical data

Dimensions / positions

| | |
|---------------------|---------|
| Pitch | 2 mm |
| Dimension a | 6 mm |
| Number of positions | 4 |
| Pin spacing | 2.00 mm |

Technical data

| | |
|------------------------------------|---------|
| Range of articles | CIOC-FV |
| Connection in acc. with standard | EN-VDE |
| Nominal current I_N | 3 A |
| Nominal voltage U_N | 32 V |
| Maximum load current | 3 A |
| Insulating material | PA |
| Inflammability class acc. to UL 94 | V0 |

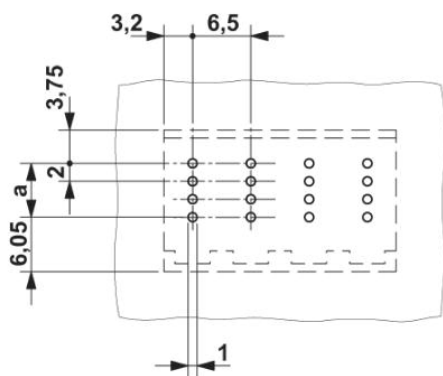
Certificates / Approvals

Certification

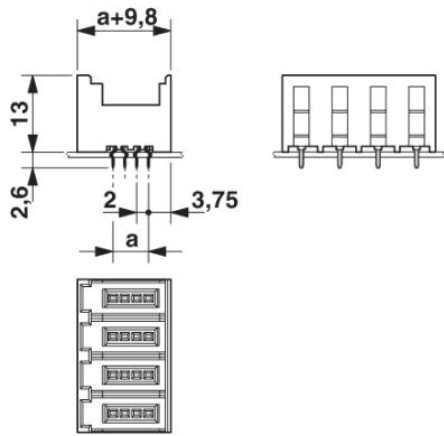
CUL, UL

Diagrams/Drawings

Drilling plan/solder pad geometry



Dimensioned drawing



Address

PHOENIX CONTACT Deutschland GmbH
Flachmarktstr. 8
32825 Blomberg, Germany
Phone +49 5235 3 12000
Fax +49 5235 3 41200
<http://www.phoenixcontact.de>



© 2010 Phoenix Contact
Technical modifications reserved;