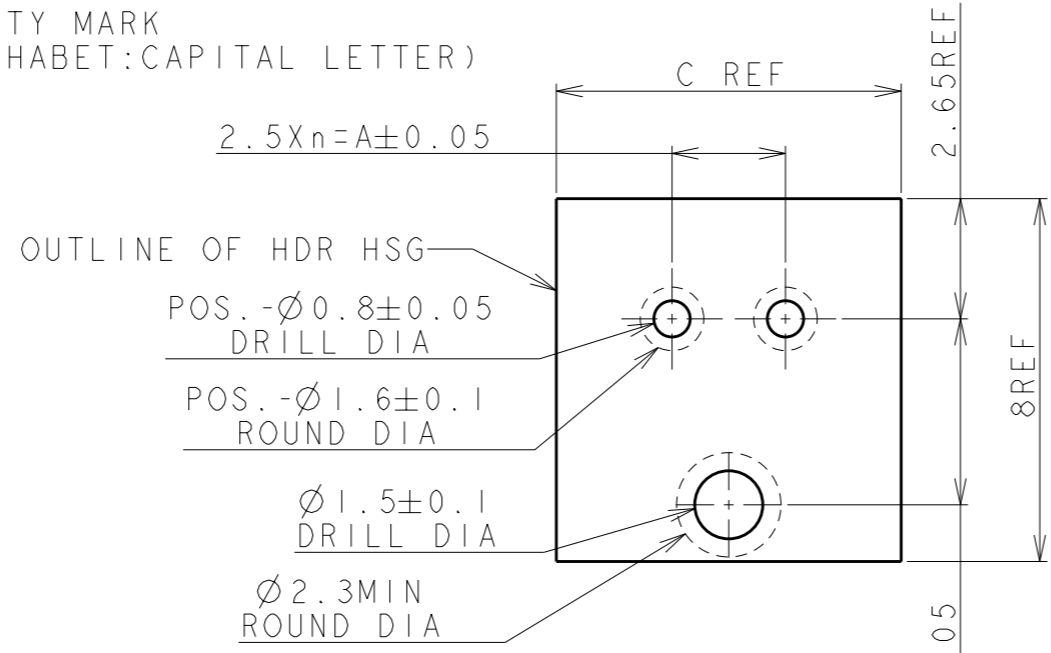
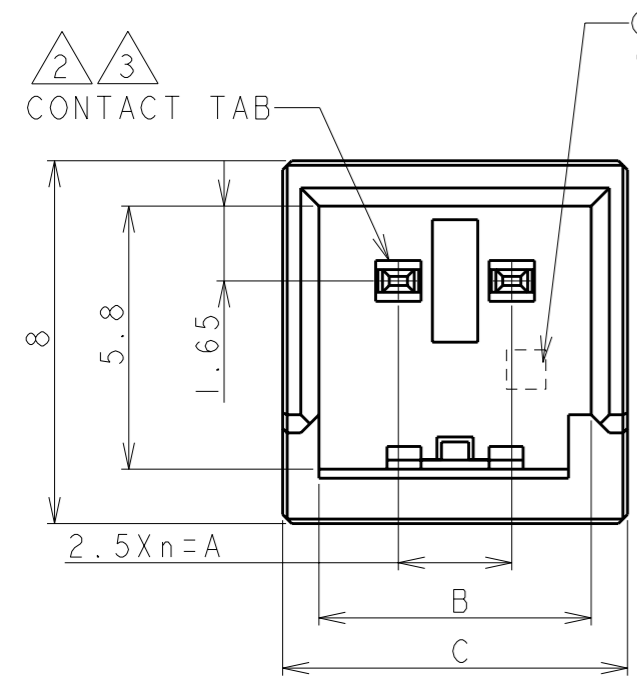


THIS DRAWING IS UNPUBLISHED. RELEASED FOR PUBLICATION 2005
 © COPYRIGHT 2005 BY TYCO ELECTRONICS CORPORATION. ALL INTERNATIONAL RIGHTS RESERVED.

LOC	DIST	REVISIONS					
		P	LTR	DESCRIPTION	DATE	DWN	APVD
J			BI	REVISED PER ECR-10-019595	04OCT10	HMR	T.M



RECOMMEND PC BOARD HOLE PATTERN : CONNECTOR MOUNT SIDE (NOT ACCUMULATE TOLERANCE)
 PC BOARD THICKNESS : 1.0~1.6 ± 0.1
 推奨基板取付穴寸法 : コネクタ搭載面 (非累積公差)
 PC基板厚 : 1.0~1.6 ± 0.1

1. MATERIAL: HOUSING: GLASS FILED THERMO PLASTIC POLYESTER (94V-0), COLOR: BLACK
 CONTACT: COPPER ALLOY
 RETENTION LEG: Pre-Tin COPPER ALLOY

- △2 FINISH (ALL OVER): NICKEL PL. 1.27 μ m MIN
- △3 FINISH (CONTACT AREA): AU PL. 0.38 μ m MIN AFTER △2
- △4 FINISH (CONTACT TAIL): TIN PL. 2 μ m MIN AFTER △2
- 5. THE SHAPE, SIZE AND POSITION OF THE CHARACTER SHOW THE OUTLINE. THEY DON'T SHOW DETAILS.

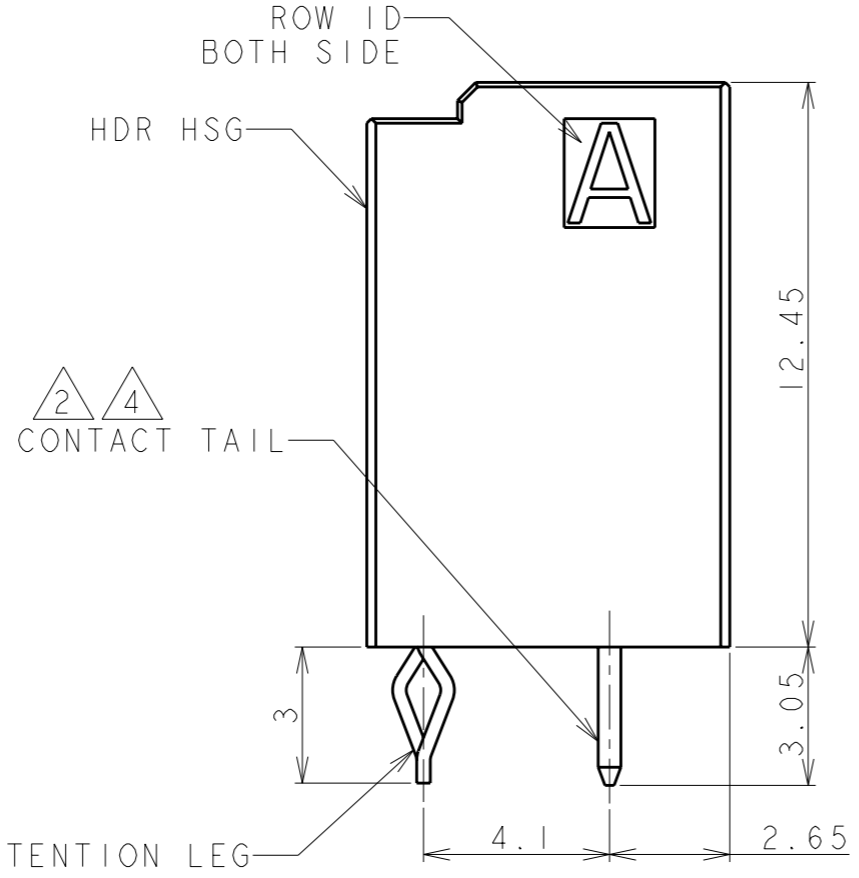
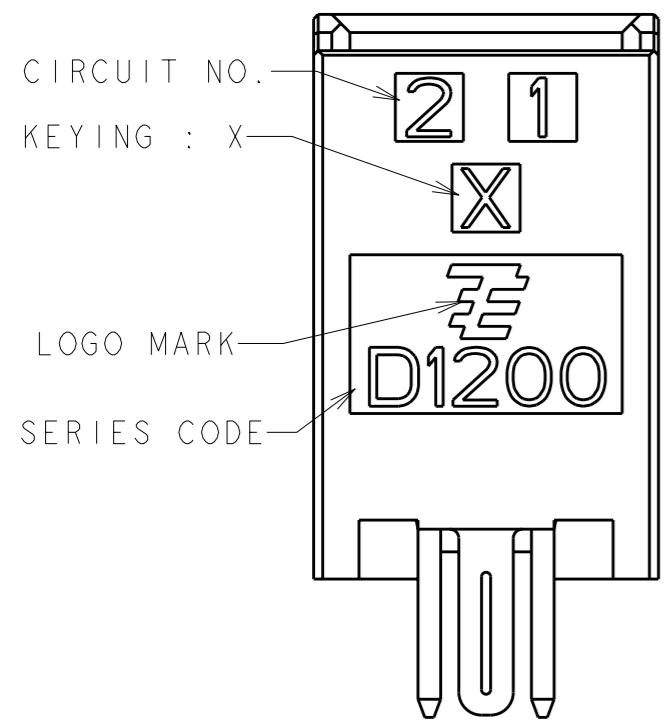
1. 材料:ハウジング:ガラス入り熱可塑性ポリエステル樹脂(94V-0)、色:黒
 コンタクト:銅合金
 リテンションレグ:錫めっき済銅合金

△2めっき:全面: Ni下地めっき1.27 μ m以上

△3めっき:接触部: △2の上に金めっき0.38 μ m以上

△4めっき:コンタクト半田付部: △2の上に錫めっき2 μ m以上

5. 文字の形状、大きさ、および位置については、大略を示すものであり、詳細を示すものではありません。



2	1	2.5	6.0	7.6	1-1871468-2
POS.	n	A	B	C	PART NO.

P/N 1-1871468-2
 (2P:X-KEY)

THIS DRAWING IS A CONTROLLED DOCUMENT FOR TYCO ELECTRONICS CORPORATION. IT IS SUBJECT TO CHANGE AND THE CONTROLLING ENGINEERING ORGANIZATION SHOULD BE CONTACTED FOR THE LATEST REVISION.		DWN M. MAEBASHI 20JUN2005	Tyco Electronics Corporation Kawasaki, Japan
DIMENSIONS: 単位: 耗 mm		CHK T. KUDO 20JUN2005	
TOLERANCES UNLESS OTHERWISE SPECIFIED: 一般公差 $\pm 0.3, \pm 3^\circ$		APVD D. MITSUGI 31AUG2005	NAME 名称 DYNAMIC D1200S 2.5mm PITCH HDR ASSY, V-TYPE 2 POS
		PRODUCT SPEC 108-78268	SIZE A3
MATERIAL 材料		APPLICATION SPEC 取付適用規格 114-5377	CAGE CODE 00779
FINISH 仕上		WEIGHT	DRAWING NO C-1871468
CUSTOMER DRAWING		RESTRICTED TO	
		SCALE 尺度 6:1	SHEET 1 OF 1 REV BI