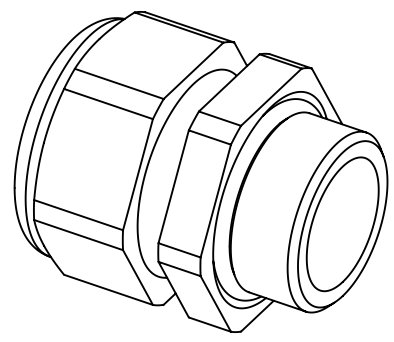
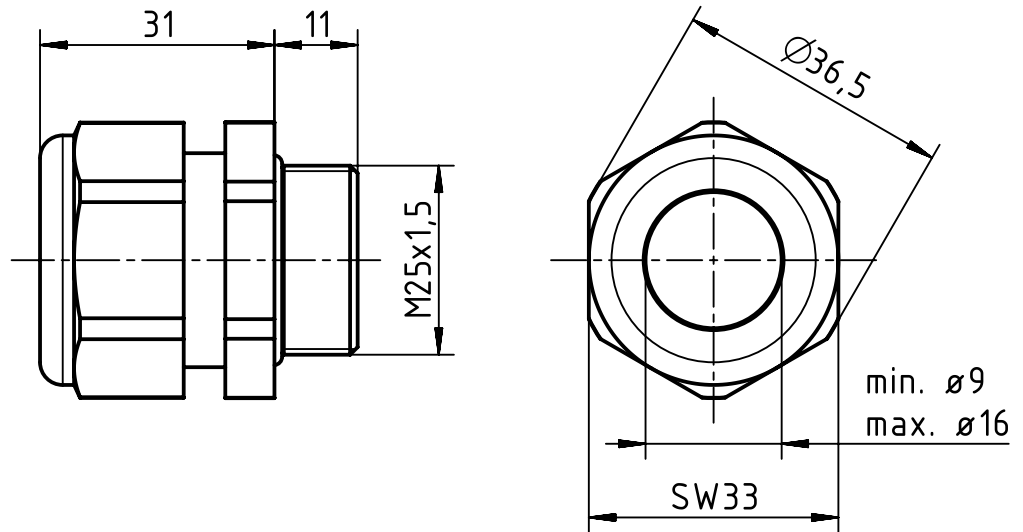


1 2 3 4 5 6

A
B
C
D



	All Dimensions in mm Original Size DIN A4		Scale 1:1	Free size tol.		Ref.		
						Sub.		
	All rights reserved		Created by HOLLERT	Inspected by RIEPE	Standardisation TIEMANNA	Date 2015-06-26	State Final Release	
	Department EL PD - DE		Title Cable gland M25, 9-16mm, plastic, black				Doc-Key / ECM-Nr. 100625056/UGD/002/A 500000089930	
HARTING Electric GmbH & Co. KG D-32339 Espelkamp			Type TB	Number 19 00 000 5191			Rev. A	Page 1/1