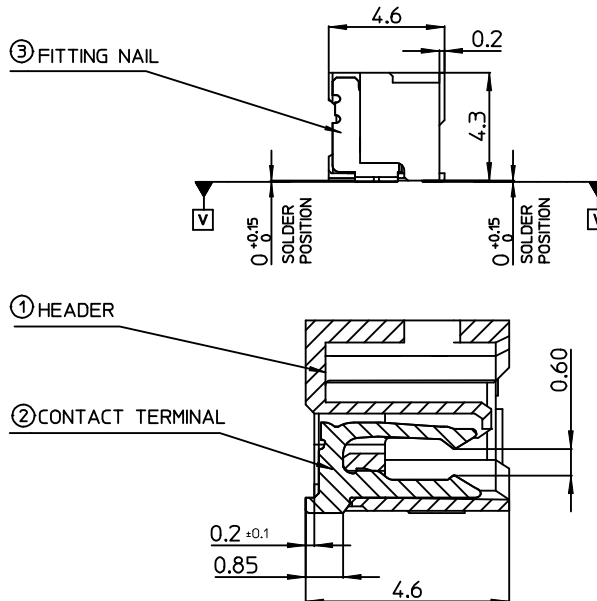
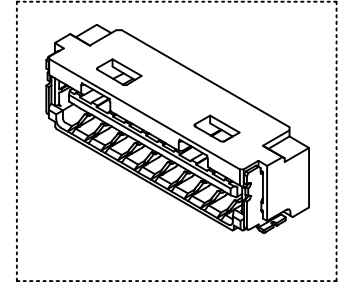


RECOMMEND PATTERN [REF.]
[PCB GENERAL TOLERANCE ±0.05]



SECTION Y-Y

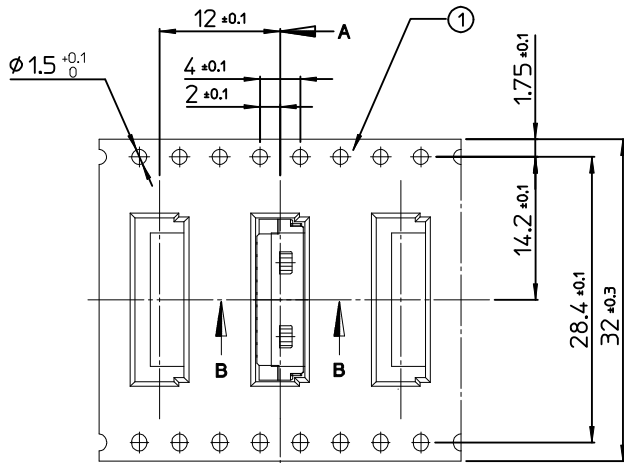


NOTES.

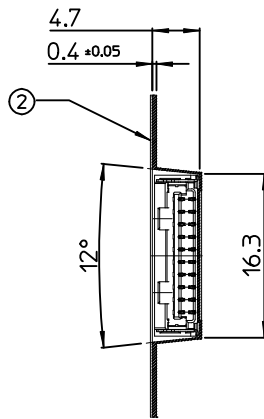
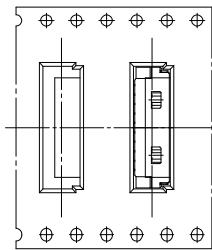
- MATED WITH : 104092-1000
- MATERIALS
 - ① HEADER : LCP, VECTRA E130i
GLASS FILLED, UL94V-0,
HALOGEN FREE, NATURAL COLOR
 - ② CONTACT TERMINAL : PHOSPHOR BRONZE, 0.2 Thickness
 - ③ FITTING NAIL : PHOSPHOR BRONZE, 0.2 Thickness
- FINISHES
 - ② CONTACT TERMINAL :
PURE -TIN PLATING ON OVERALL.
THICKNESS 3.0 μm~5.0 μm
UNDER PLATING Ni OVERALL
THICKNESS 1.25 μm~3.75 μm
 - ③ FITTING NAIL :
PURE-TIN PLATING ON OVERALL
THICKNESS 3.0 μm~5.0 μm
UNDER PLATING Ni OVERALL
THICKNESS 1.25 μm~3.75 μm
- COPLANALITY OF SOLDER TAILS (PEAK TEMP. : 260°C)
BEFORE & AFTER RELOW : 0.08MAX
- PRODUCT SPECIFICATION : PS-104091-001

ORDER No. 104091-1020

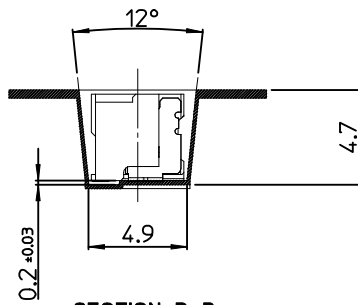
RELEASED EC NO: KOR2012-0022 DRWN: JHPARK01 2010/06/10 CHKD: SH. CHU APPR: YUNSIKKIM 2011/09/30	QUALITY SYMBOLS	GENERAL TOLERANCES (UNLESS SPECIFIED)	DIMENSION STYLE	SCALE	DESIGN UNITS	THIRD ANGLE PROJECTION	
	▽=0 ∇=0	mm INCH	MM ONLY	5:1	METRIC		
		4 PLACES ± --- ± --- 3 PLACES ± --- ± --- 2 PLACES ± 0.15 ± --- 1 PLACE ± 0.20 ± ---	DRAWN BY DATE JH.PARK 2010/04/10	TITLE	1.25 W-T-B CONN. HEADER ASS'Y-10P		
		ANGULAR ± 1 °	CHECKED BY DATE SH. CHU 2010/04/10	APPROVED BY DATE YUNSIKKIM 2011/09/30	MOLEX INCORPORATED		
A	DESCRIPTION	DRAFT WHERE APPLICABLE MUST REMAIN WITHIN DIMENSIONS	MATERIAL NO. 1040911020	DOCUMENT NO. SD-104091-002	SHEET NO. 1 OF 01		



PULL OUT DIRECTION



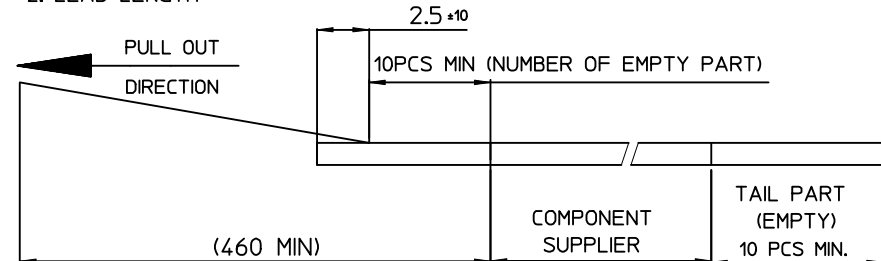
SECTION A-A



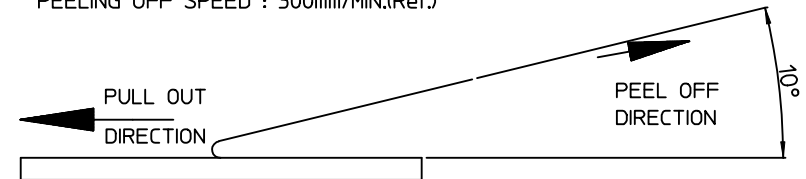
SECTION B-B

NOTES.

1. QUANTITY OF CONNECTORS : 1500 PCS/REEL
2. LEAD LENGTH

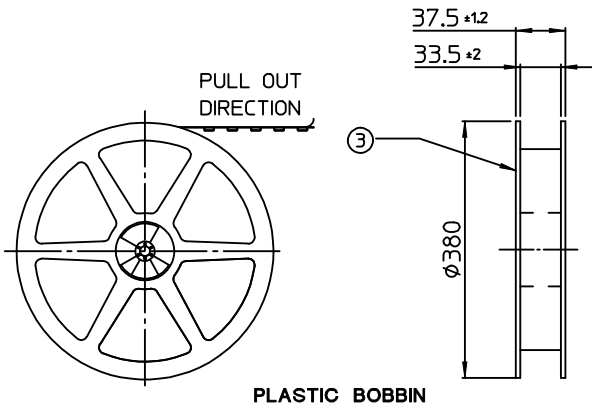


3. PEELING OFF FORCE OF COVER TAPE : 0.1N~0.59N(10.2GF~60GF)
(PEELING DIRECTION AS SHOR IN FOLLOW FIG.)
PEELING OFF SPEED : 300mm/MIN.(Ref.)



4. FLASH IN ANY PORTION SHOULD BE LESS THAN 0.20mm MAX.
5. UNLESS OTHERWISE SPECIFIED INNER R 0.2 MAX
6. DRAFT ANGLE 3° MAX

NO.	DESCRIPTION	MATERIAL	REMARK
3	PLASTIC BOBBIN	HI P.S	WHITE
2	COVER TAPE	PET ANTISTATIC	37.5 mm
1	CARRIER (EMBOSSD) TAPE	PET ANTISTATIC	



PLASTIC BOBBIN

RELEASED EC NO: KOR2012-0022 DRWN: JHPARK01 2010/06/11 CHKD: SH.CHU APPR: YUNSIKKIM 2011/09/30	QUALITY SYMBOLS	GENERAL TOLERANCES (UNLESS SPECIFIED)	DIMENSION STYLE	SCALE	DESIGN UNITS	THIRD ANGLE PROJECTION
	▽=0 ▽=0	4 PLACES ± --- ± --- 3 PLACES ± --- ± --- 2 PLACES ± 0.15 ± --- 1 PLACE ± 0.20 ± --- ANGULAR ± 1 °	MM ONLY	2:1	METRIC	
REV	DESCRIPTION	DRAFT WHERE APPLICABLE MUST REMAIN WITHIN DIMENSIONS	DRAWN BY	DATE	TITLE	
A			JH. PARK	2010/04/11	EMBOSSD PACKAGE 1.25 W-T-B CONN HEADER ASS'Y-10P	
			CHECKED BY	DATE		
			SH. CHU	2010/04/11		
			APPROVED BY	DATE		
			YUNSIKKIM	2011/09/30		
			MATERIAL NO.	DOCUMENT NO.		
			1040911020	SD-104091-005		
			SIZE	THIS DRAWING CONTAINS INFORMATION THAT IS PROPRIETARY TO MOLEX INCORPORATED AND SHOULD NOT BE USED WITHOUT WRITTEN PERMISSION		
			A3			

ORDER No. 104091-1020

EMBOSSD PACKAGE
1.25 W-T-B CONN
HEADER ASS'Y-10P

MOLEX INCORPORATED

DOCUMENT NO. SD-104091-005

SHEET NO. 1 OF 01