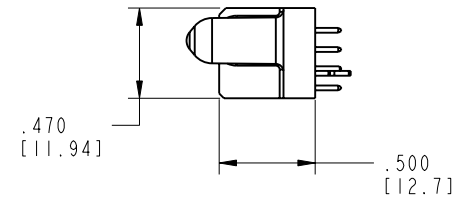
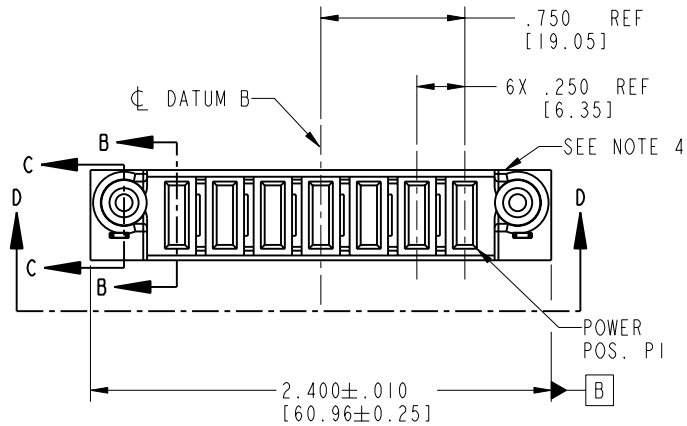


Tous droits strictement réservés. Reproduction ou communication o des liens interdite sous quelque forme que ce soit sans autorisation écrite du propriétaire. Propriete de c FCI. Droits de reproduction FCI.

FCI

All rights strictly reserved. Reproduction or issue to third parties in any form whenever is not permitted without written authority from the proprietor. Property of FCI. Copyright FCI.

PRODUCT NO.	POWER								
	E2	P7	P6	P5	P4	P3	P2	P1	E1
51753-002-- NOTE: 3		PD	X	X	PD	X	X	PA	



CODE	DIM "M" MATING LENGTH	CONTACT TYPE
PA	.042 [1.07]	POWER
PD	.092 [2.34]	POWER
HA	N/A [N/A]	HOLD-DOWN
X	OMITTED	OMITTED

mat'l code				SEE NOTE 2		tolerances unless otherwise specified		CUSTOMER		FCI www.fciconnect.com	
ltr	ecn no.	dr	date	linear	.XX±.01/0.X±0.3		COPY			title	
A	V21204	CGD	07/22/02		.XXX±.005/0.XX±0.13		projection			7P	
B	DG05-0522	GuoJM	12/07/05		.XXX±.0020/0.XXX±0.051		INCH/MM			VERTICAL SOLDER RECEPTACLE	
				angles	0° ± 2°		scale		product family		
				dr	C. DAILY	07/22/02	1:1		PwrBlade		
				engr	M. MOSTOLLER	07/22/02			code		
				chr	M. MOSTOLLER	07/22/02			size		
				appd	M. MOSTOLLER	07/22/02			dwg no		
				sheet index	B	B	B	B	A		51753-002
				revision sheet	1	2	3	4	A		213
										sheet	
										1 of 4	

1 | 2

Pro/E

3 |

cage code 22526

4

PDM: Rev:B

STATUS: Released

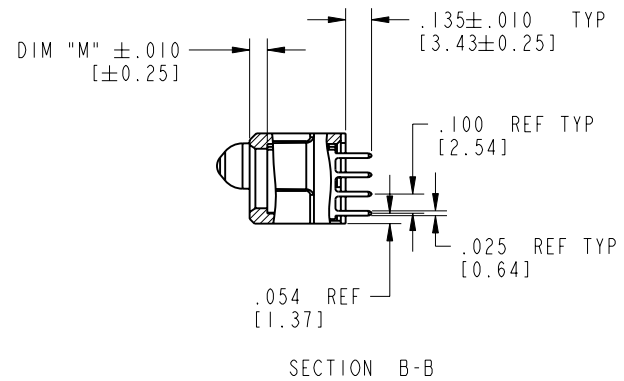
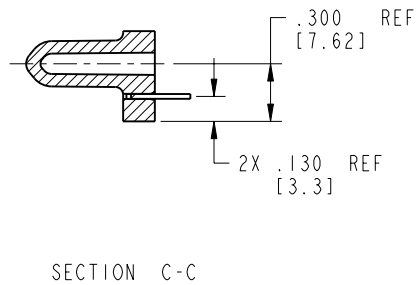
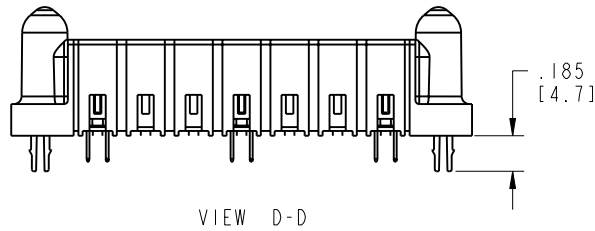
Printed: Oct 08, 2006


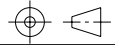

Tous droits strictement réservés. Reproduction ou communication o des liers interdite sous quelque forme que ce soit sans autorisation écrite du propriétaire. Propriété de c FCI. Droits de reproduction FCI.

FCI

All rights strictly reserved. Reproduction or issue to third parties in any form, whatever is not permitted without written authority from the proprietor. Property of FCI. Copyright FCI.

PRODUCT NUMBER
51753-002--
NOTE: 3



mat'l code		SEE NOTE 2		tolerances unless otherwise specified		CUSTOMER		 www.fciconnect.com	
ltr	ecn no.	dr	date	linear	.XX±.01/0.X±0.3	COPY			
A				projection	.XXX±.005/0.XX±0.13			title	
				angles	.XXX±.0020/0.XXX±0.051			VERTICAL SOLDER RECEPTACLE	
				dr	C. DAILY 07/22/02	INCH/MM		product family	
				engr	M. MOSTOLLER 07/22/02			PwrBlade	
				chr	M. MOSTOLLER 07/22/02			size	
				appd	M. MOSTOLLER 07/22/02	scale		213	
sheet index		revision sheet				1:1		51753-002	
								sheet 2	

cage code 22526

Pro/E

PDM: Rev:B

STATUS: Released

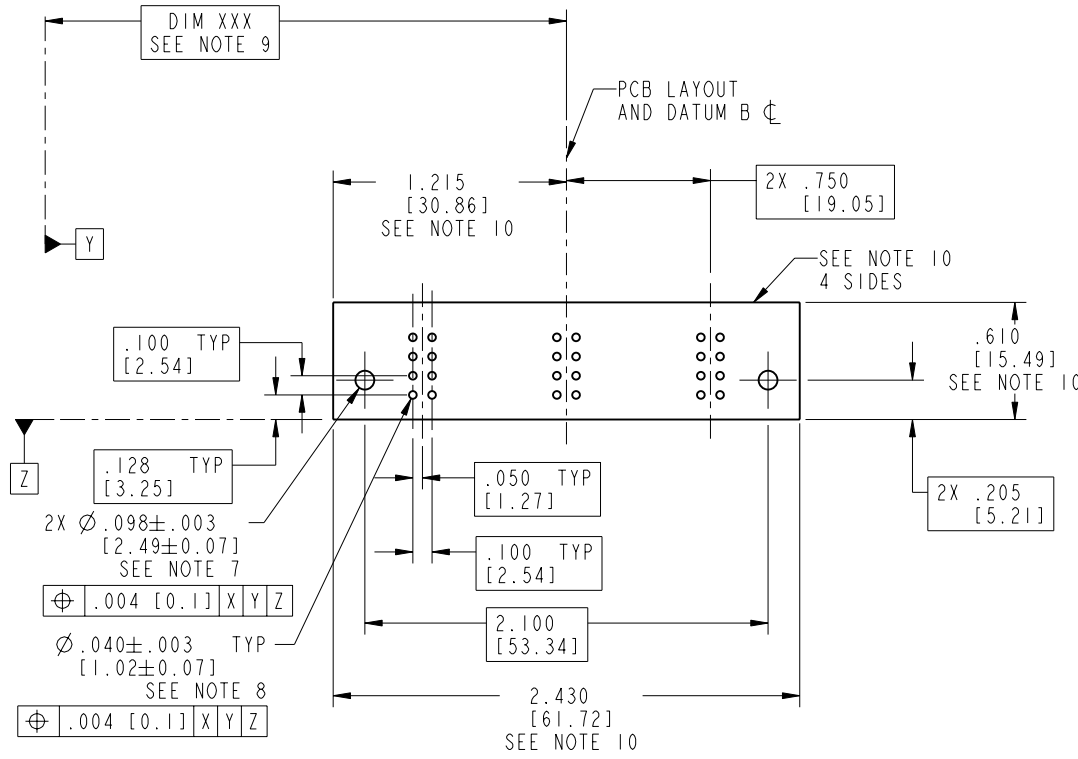
Printed: Oct 08, 2006

Tous droits strictement réservés. Reproduction ou communication o des liens interdite sous quelque forme que ce soit sans autorisation écrite du propriétaire. Propriete de c FCI. Droits de reproduction FCI.

All rights strictly reserved. Reproduction or issue to third parties in any form, whatever is not permitted without written authority from the proprietor. Property of FCI. Copyright FCI.

PRODUCT NUMBER

51753-002--
NOTE: 3



mat'l code				SEE NOTE 2		tolerances unless otherwise specified		CUSTOMER		 www.fciconnect.com	
lfr	ecr no.	dr	date	linear	.XX±.01/0.X±0.3	projection	COPY		title		
A				angles	.XXX±.005/0.XX±0.13		INCH/MM		7P		
				dr	.XXX±.0020/0.XXX±0.051		scale		VERTICAL SOLDER RECEPTACLE		
				engr	0°±2°		1:1		product family		
				chr					PwrBlade		
				appd					code		
									213		
sheet index	revision sheet								size		
									dwg no		
									A 51753-002		
									sheet		
									3		

cage code 22526

Pro/E

PDM: Rev:B

STATUS: Released

Printed: Oct 08, 2006

Tous droits strictement réservés. Reproduction ou communication o des liers interdite sous quelque forme que ce soit sans autorisation écrite du propriétaire. Propriete de c FCI. Droits de reproduction FCI.

A FCI

All rights strictly reserved. Reproduction or issue to third parties in any form, whatever is not permitted without written authority from the proprietor. Property of FCI. Copyright FCI.

A

B

PRODUCT NUMBER

51753-002__
NOTE: 3

NOTES:

1. DIMENSIONS AND TOLERANCES ARE IN ACCORDANCE WITH ASME Y14.5M, 1994 UNLESS OTHERWISE SPECIFIED.

CONNECTOR NOTES:

2. HOUSING MATERIAL: UL 94 V-0 GLASS FILLED HIGH-TEMP THERMOPLASTIC
POWER CONTACT MATERIAL: COPPER ALLOY
SIGNAL PIN MATERIAL: COPPER ALLOY

3. PLATING:

51753-002 Power Pin:30u"/0.76um Au OVER 50u"/1.27um Ni ON THE CONTACT AREA, AND 100u"/2.54um SnPb PLATING OVER 50u"/1.27um Ni ON THE TERMINATION SECTION.

51753-002LF Power Pin:30u"/0.76um Au OVER 50u"/1.27um Ni ON THE CONTACT AREA, AND 78u"/2.00um Sn PLATING OVER 50u"/1.27um Ni ON THE TERMINATION SECTION.

PART NUMBER 51753-002LF MEETS EUROPEAN UNION DIRECTIVE AND OTHER COUNTRY REGULATIONS AS DESCRIBED IN GS-22-008.

THE HOUSING WILL WITHSTAND EXPOSURE TO 260° PEAK TEMPERATURE FOR 10 SECONDS IN A WAVE SOLDER APPLICATION WITH A CIRCUIT BOARD.

4. MANUFACTURER'S NAME, P/N, AND DATE CODE TO APPEAR ON THIS SURFACE.


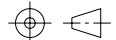
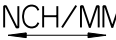
5. PRODUCT SPECIFICATION GS-12-149.
APPLICATION SPECIFICATION BUS-20-067

PCB - NOTES:

- 6. ALL HOLE DIAMETERS ARE FINISHED HOLE SIZE.
- 7. MOUNTING HOLES, WHERE APPLICABLE, ARE UNPLATED.
- 8. $\varnothing .0453 \pm .0010$ [1.151 \pm 0.025] DRILLED HOLES PLATED WITH .0003 [0.008] MIN SnPb OVER .001 [0.03] TO .003 [0.08] Cu PLATING TO ACHIEVE $\varnothing .040 \pm .003$ [1.02 \pm .07] HOLE.
- 9. "DIM XXX" TO BE DETERMINED BY THE CUSTOMER.
- 10. CONNECTOR KEEP-OUT ZONE.

A

B

mat'l code		SEE NOTE 2		tolerances unless otherwise specified		CUSTOMER		 www.fciconnect.com	
lfr	ecn no.	dr	date	linear	.XX±.01/0.X±0.3	COPY			
A				projection	.XXX±.005/0.XX±0.13			title	7P
				angles	.XXX±.0020/0.XXX±0.051			VERTICAL SOLDER RECEPTACLE	
				dr	C. DAILY 07/22/02	INCH/MM		product family	PwrBlade
				enrg	M. MOSTOLLER 07/22/02	scale		size	dwg no
				chr	M. MOSTOLLER 07/22/02	1:1		A	51753-002
				appd	M. MOSTOLLER 07/22/02			code	213
sheet index	revision sheet							sheet	4

1 | 2

3 |

4

1 | 2

Pro/E

3 |

cage code 22526

4