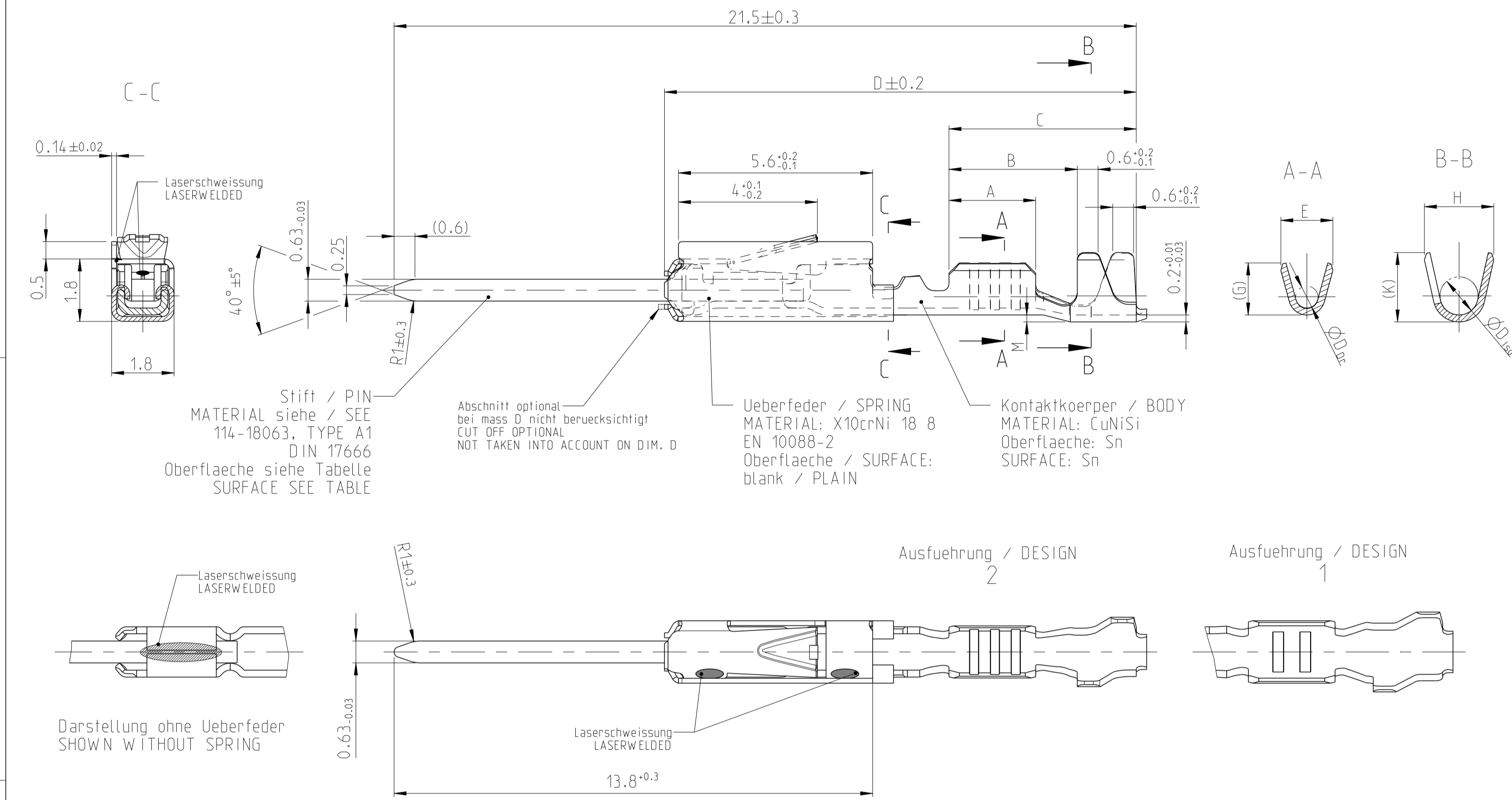
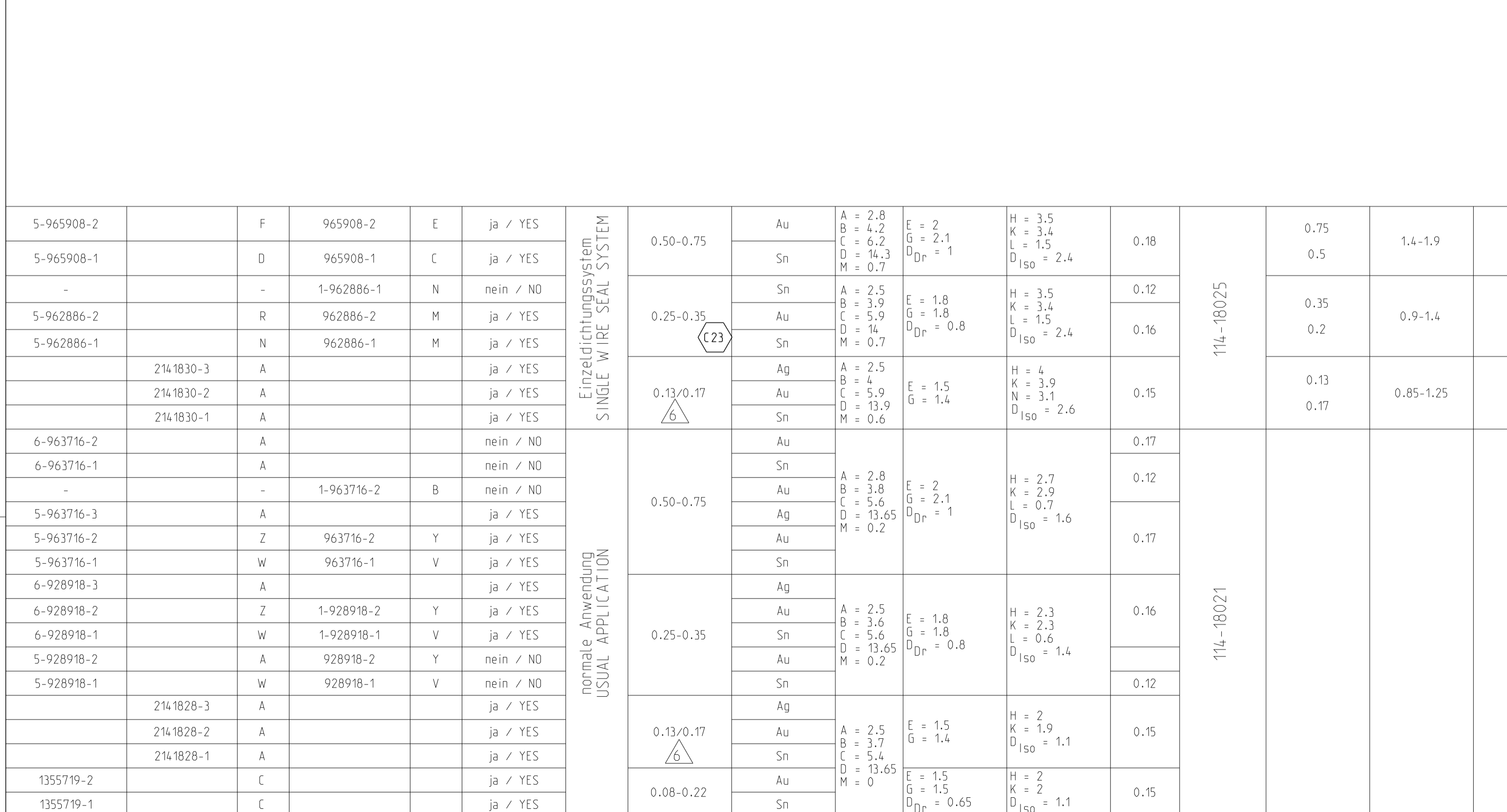


Normale Anwendung
 USUAL APPLICATION

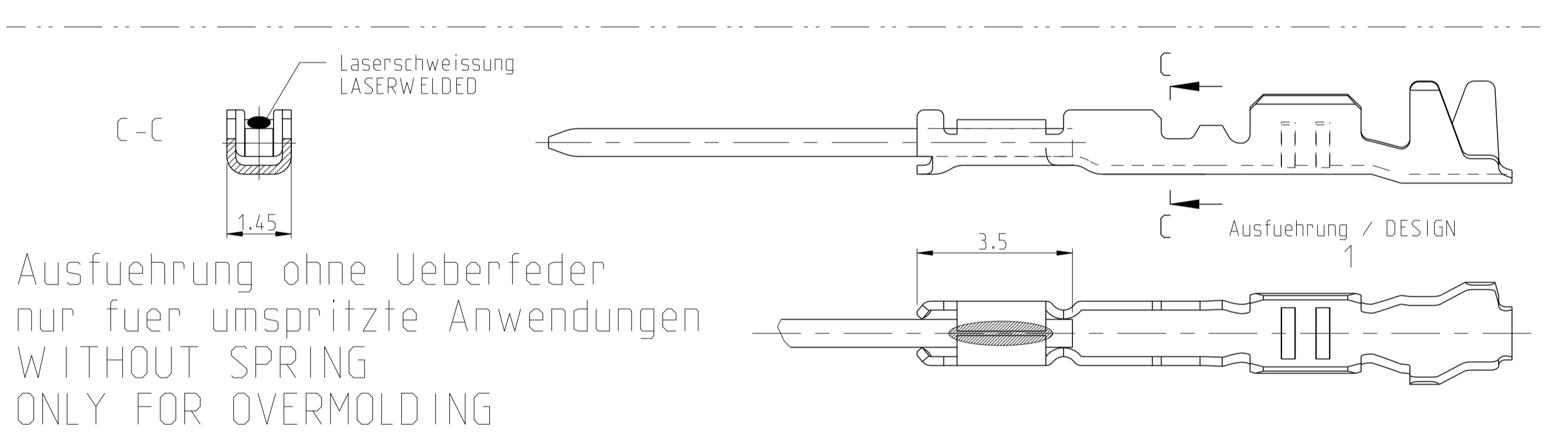
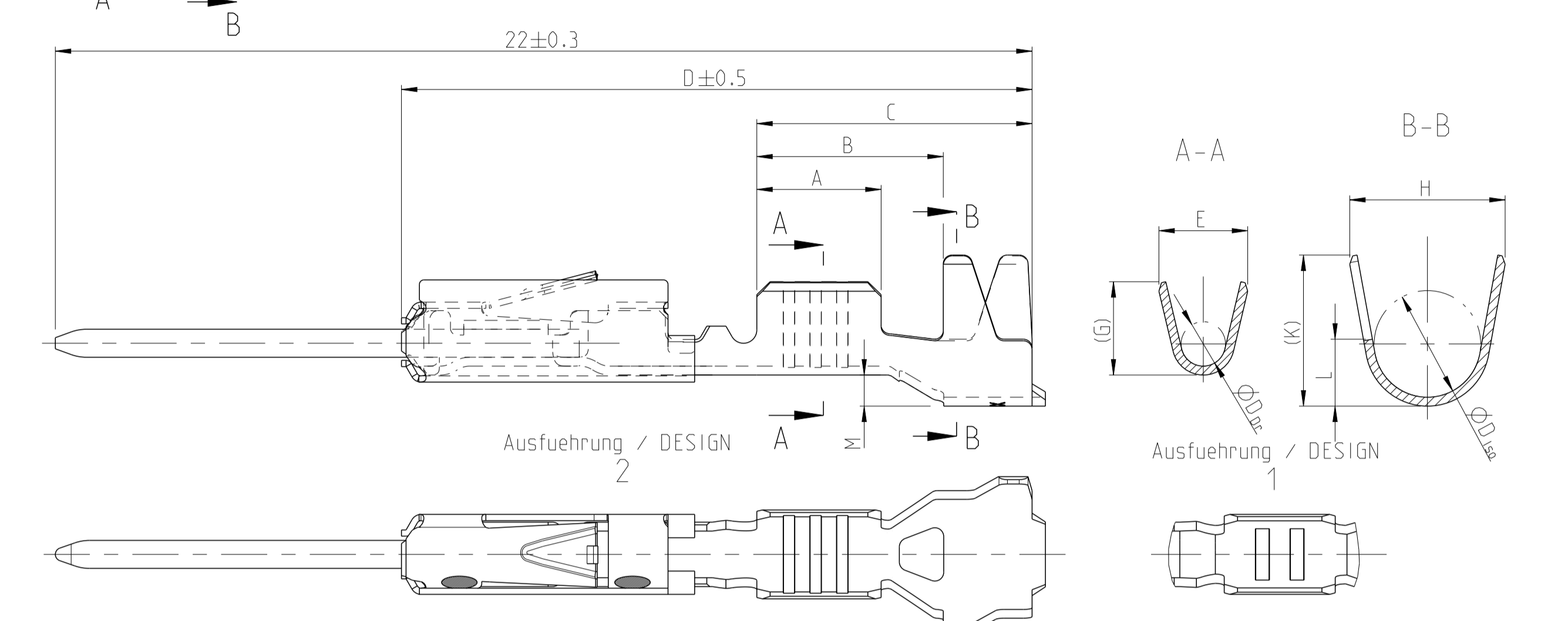
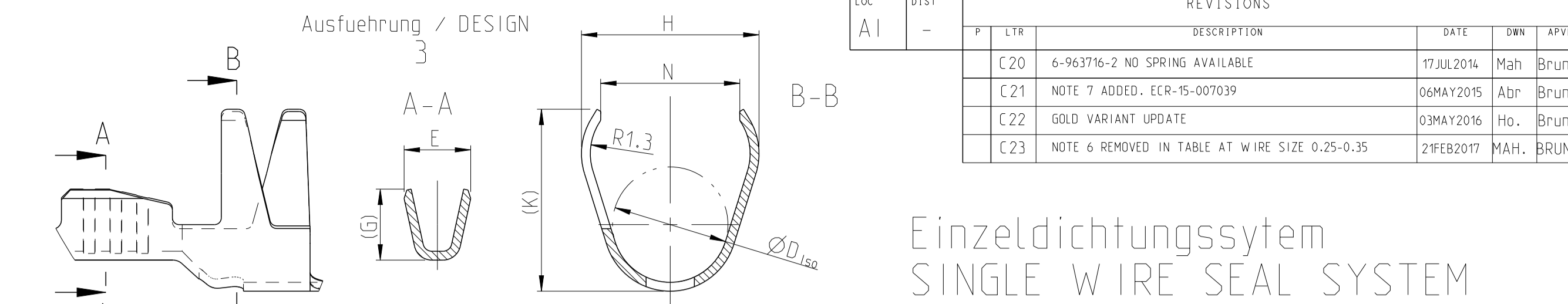


Darstellung ohne Ueberfeder
 SHOWN WITHOUT SPRING



Bestell-Nr. Ausführung ORDER NO. DESIGN	Bestell-Nr. Ausführung ORDER NO. DESIGN	Rev	Bestell-Nr. Ausführung ORDER NO. DESIGN	Rev	Ueberfeder vorhanden SPRING AVAILABLE	VERSION	DGB Wire Size Range mm ²	Oberflaeche SURFACE	Laenge LENGTH mm	Drahtcrimp WIRE CRIMP mm	Iso-crimp INSU-CRIMP mm	Gewicht WEIGHT g	Verarbeitung Spez. APPLICATION SPEC.	DGB Wire Size Range mm ²	Isolations Ø INSULATION DIA. mm	fuer Kammer Ø3.45 FOR CAVITY DIA. 3.45 mm	Blindstopfen RUBBER PLUG	fuer Kammer Ø4 FOR CAVITY DIA. 4 mm	Blindstopfen RUBBER PLUG
5-965908-2	F		965908-2	E	ja / YES	Einzelichtungssystem SINGLE WIRE SEAL SYSTEM	0.50-0.75	Au	A = 2.8 B = 4.2 C = 6.2 D = 14.3 M = 0.7	E = 2 G = 2.1 Dr = 1	H = 3.5 K = 3.4 L = 1.5 D _{ISO} = 2.4	0.18	114-18025	0.75	1.4-1.9	967067-1 gruen GREEN	967056-1 blau / BLUE	963142-1 schwarz BLACK	963143-1 weiss / WHITE
5-965908-1	D		965908-1	C	ja / YES														
5-962886-2	R		962886-2	M	ja / YES	normale Anwendung USUAL APPLICATION	0.13-0.17	Au	A = 2.5 B = 4 C = 5.9 D = 13.9 M = 0.6	E = 1.5 G = 1.4	H = 4 K = 3.9 N = 3.1 D _{ISO} = 2.6	0.15	114-18021	0.13	0.85-1.25	967067-2 gelb YELLOW	963142-2 grau GREY	963142-2 grau GREY	963142-2 grau GREY
5-962886-1	N		962886-1	M	ja / YES														
6-963716-2	A				nein / NO	normale Anwendung USUAL APPLICATION	0.25-0.35	Au	A = 2.5 B = 3.6 C = 5.6 D = 13.65 M = 0.2	E = 1.8 G = 1.8 Dr = 0.8	H = 2.3 K = 2.3 L = 0.6 D _{ISO} = 1.4	0.16	114-18021	0.16					
6-963716-1	A		1-963716-2	B	nein / NO														
5-963716-3	A				ja / YES	normale Anwendung USUAL APPLICATION	0.08-0.22	Au	A = 2.5 B = 3.6 C = 5.6 D = 13.65 M = 0.2	E = 1.5 G = 1.5 Dr = 0.65	H = 2 K = 2 D _{ISO} = 1.1	0.15	114-18021	0.15					
5-963716-2	Z		963716-2	Y	ja / YES														
5-963716-1	A				ja / YES	normale Anwendung USUAL APPLICATION	0.13-0.17	Au	A = 2.5 B = 3.6 C = 5.6 D = 13.65 M = 0.2	E = 1.5 G = 1.5 Dr = 0.65	H = 2 K = 2 D _{ISO} = 1.1	0.15	114-18021	0.15					
5-963716-1	A				ja / YES														
6-928918-3	A				ja / YES	normale Anwendung USUAL APPLICATION	0.13-0.17	Au	A = 2.5 B = 3.6 C = 5.6 D = 13.65 M = 0.2	E = 1.5 G = 1.5 Dr = 0.65	H = 2 K = 2 D _{ISO} = 1.1	0.15	114-18021	0.15					
6-928918-2	Z		1-928918-2	Y	ja / YES														
6-928918-1	W		1-928918-1	V	ja / YES	normale Anwendung USUAL APPLICATION	0.13-0.17	Au	A = 2.5 B = 3.6 C = 5.6 D = 13.65 M = 0.2	E = 1.5 G = 1.5 Dr = 0.65	H = 2 K = 2 D _{ISO} = 1.1	0.15	114-18021	0.15					
6-928918-1	W		928918-2	Y	nein / NO														
5-928918-2	A		928918-2	Y	nein / NO	normale Anwendung USUAL APPLICATION	0.13-0.17	Au	A = 2.5 B = 3.6 C = 5.6 D = 13.65 M = 0.2	E = 1.5 G = 1.5 Dr = 0.65	H = 2 K = 2 D _{ISO} = 1.1	0.15	114-18021	0.15					
5-928918-1	W		928918-1	V	nein / NO														
2141830-3	A				ja / YES	normale Anwendung USUAL APPLICATION	0.13-0.17	Au	A = 2.5 B = 3.6 C = 5.6 D = 13.65 M = 0.2	E = 1.5 G = 1.5 Dr = 0.65	H = 2 K = 2 D _{ISO} = 1.1	0.15	114-18021	0.15					
2141830-2	A				ja / YES														
2141830-1	A				ja / YES	normale Anwendung USUAL APPLICATION	0.13-0.17	Au	A = 2.5 B = 3.6 C = 5.6 D = 13.65 M = 0.2	E = 1.5 G = 1.5 Dr = 0.65	H = 2 K = 2 D _{ISO} = 1.1	0.15	114-18021	0.15					
2141828-3	A				ja / YES														
2141828-2	A				ja / YES	normale Anwendung USUAL APPLICATION	0.13-0.17	Au	A = 2.5 B = 3.6 C = 5.6 D = 13.65 M = 0.2	E = 1.5 G = 1.5 Dr = 0.65	H = 2 K = 2 D _{ISO} = 1.1	0.15	114-18021	0.15					
2141828-1	A				ja / YES														
1355719-2	C				ja / YES	normale Anwendung USUAL APPLICATION	0.13-0.17	Au	A = 2.5 B = 3.6 C = 5.6 D = 13.65 M = 0.2	E = 1.5 G = 1.5 Dr = 0.65	H = 2 K = 2 D _{ISO} = 1.1	0.15	114-18021	0.15					
1355719-1	C				ja / YES														

zugehoerige Einzelichtung / SUITABLE SINGLE WIRE SEAL



Ausfuehrung ohne Ueberfeder
 nur fuer umspritzte Anwendungen
 WITHOUT SPRING
 ONLY FOR OVERMOLDING

- Bemerkungen
- Datumcode (woche/Jahr z.B. KW 38/Jahr2009) und TE-Revision (z.B. Rev.A) DATE CODE (WEEK/YEAR E.G. WEEK NUMBER 38/YEAR2009) AND TE REVISION (E.G. REV. A)
 - Passend zu Buchsenkontakt siehe Zeichnung 929454 SUITABLE FOR SOCKET CONTACT SEE DRAWING 929454
 - Einzelheiten der Ausfuehrung bleiben dem Hersteller ueberlassen DETAILS OF DESIGN ARE LEFT TO MANUFACTURER
 - Nur fuer FLR-Leitung nach DIN 72551 Teil 6 FOR FLR-CONDUCTOR ACCORDING TO DIN 72551-6 ONLY
 - nicht fuer Neuanwendung NOT FOR NEW APPLICATION
 - zugverstaerkte Leitung nach LV 112-4 REINFORCED WIRE ACCORDING LV 112-4
 - Bei doppelt fallenden Werkzeugen wird die erste Ueberfeder mit einer Kennzeichnung "-" versehen WITH DOUBLE OUT DIES THE FIRST SPRING WILL BE PROVIDED WITH AN INDICATION "-"

