

DSP56L307

24-Bit Digital Signal Processor

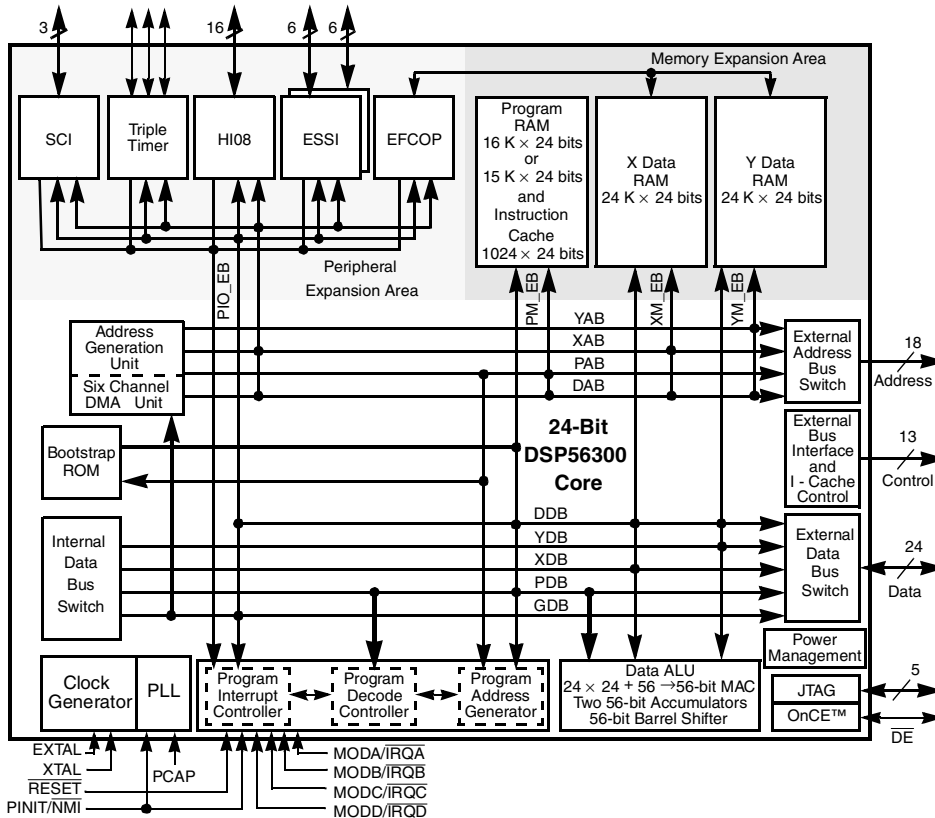


Figure 1. DSP56L307 Block Diagram

The DSP56L307 is intended for applications requiring a large amount of internal memory, such as networking and wireless infrastructure applications. The EFCOP can accelerate general filtering applications, such as echo-cancellation applications, correlation, and general-purpose convolution-based algorithms.

The Freescale DSP56L307, a member of the DSP56300 DSP family, supports network applications with general filtering operations. The Enhanced Filter Coprocessor (EFCOP) executes filter algorithms in parallel with core operations, enhancing signal quality with no impact on channel throughput or total channels supported. The result is increased overall performance. Like the other DSP56300 family members, the DSP56L307 uses a high-performance, single-clock-cycle-per-instruction engine (DSP56000 code-compatible), a barrel shifter, 24-bit addressing, an instruction cache, and a direct memory access (DMA) controller (see **Figure 1**). The DSP56L307 performs at 160 million multiply-accumulates per second (MMACS), attaining 320 MMACS when the EFCOP is in use. It operates with an internal 160 MHz clock with a 1.8 volt core and independent 3.3 volt input/output (I/O) power.

Note: This document contains information on a new product. Specifications and information herein are subject to change without notice.

Features

Table 1 lists the features of the DSP56L307 device.

Table 1. DSP56L307 Features

Feature	Description																																																																																								
<p>High-Performance DSP56300 Core</p>	<ul style="list-style-type: none"> • 160 million multiply-accumulates per second (MMACS) (321 MMACS using the EFCOP in filtering applications) with a 160 MHz clock at 1.8 V core and 3.3 V I/O • Object code compatible with the DSP56000 core with highly parallel instruction set • Data arithmetic logic unit (Data ALU) with fully pipelined 24 × 24-bit parallel multiplier-accumulator (MAC), 56-bit parallel barrel shifter (fast shift and normalization; bit stream generation and parsing), conditional ALU instructions, and 24-bit or 16-bit arithmetic support under software control • Program control unit (PCU) with position-independent code (PIC) support, addressing modes optimized for DSP applications (including immediate offsets), internal instruction cache controller, internal memory-expandable hardware stack, nested hardware DO loops, and fast auto-return interrupts • Direct memory access (DMA) with six DMA channels supporting internal and external accesses; one-, two- and three-dimensional transfers (including circular buffering); end-of-block-transfer interrupts; and triggering from interrupt lines and all peripherals • Phase-lock loop (PLL) allows change of low-power divide factor (DF) without loss of lock and output clock with skew elimination • Hardware debugging support including on-chip emulation (OnCE) module, Joint Test Action Group (JTAG) test access port (TAP) 																																																																																								
<p>Enhanced Filter Coprocessor (EFCOP)</p>	<ul style="list-style-type: none"> • Internal 24 × 24-bit filtering and echo-cancellation coprocessor that runs in parallel to the DSP core • Operation at the same frequency as the core (up to 160 MHz) • Support for a variety of filter modes, some of which are optimized for cellular base station applications: <ul style="list-style-type: none"> • Real finite impulse response (FIR) with real taps • Complex FIR with complex taps • Complex FIR generating pure real or pure imaginary outputs alternately • A 4-bit decimation factor in FIR filters, thus providing a decimation ratio up to 16 • Direct form 1 (DFI) Infinite Impulse Response (IIR) filter • Direct form 2 (DFII) IIR filter • Four scaling factors (1, 4, 8, 16) for IIR output • Adaptive FIR filter with true least mean square (LMS) coefficient updates • Adaptive FIR filter with delayed LMS coefficient updates 																																																																																								
<p>Internal Peripherals</p>	<ul style="list-style-type: none"> • Enhanced 8-bit parallel host interface (HI08) supports a variety of buses (for example, ISA) and provides glueless connection to a number of industry-standard microcomputers, microprocessors, and DSPs • Two enhanced synchronous serial interfaces (ESSI), each with one receiver and three transmitters (allows six-channel home theater) • Serial communications interface (SCI) with baud rate generator • Triple timer module • Up to 34 programmable general-purpose input/output (GPIO) pins, depending on which peripherals are enabled 																																																																																								
<p>Internal Memories</p>	<ul style="list-style-type: none"> • 192 × 24-bit bootstrap ROM • 192 K × 24-bit RAM total • Program RAM, instruction cache, X data RAM, and Y data RAM sizes are programmable: <table border="1" data-bbox="440 1436 1476 1814"> <thead> <tr> <th>Program RAM Size</th> <th>Instruction Cache Size</th> <th>X Data RAM Size*</th> <th>Y Data RAM Size*</th> <th>Instruction Cache</th> <th>Switch Mode</th> <th>MSW1</th> <th>MSW0</th> </tr> </thead> <tbody> <tr> <td>16 K × 24-bit</td> <td>0</td> <td>24 K × 24-bit</td> <td>24 K × 24-bit</td> <td>disabled</td> <td>disabled</td> <td>0/1</td> <td>0/1</td> </tr> <tr> <td>15 K × 24-bit</td> <td>1024 × 24-bit</td> <td>24 K × 24-bit</td> <td>24 K × 24-bit</td> <td>enabled</td> <td>disabled</td> <td>0/1</td> <td>0/1</td> </tr> <tr> <td>48 K × 24-bit</td> <td>0</td> <td>8 K × 24-bit</td> <td>8 K × 24-bit</td> <td>disabled</td> <td>enabled</td> <td>0</td> <td>0</td> </tr> <tr> <td>47 K × 24-bit</td> <td>1024 × 24-bit</td> <td>8 K × 24-bit</td> <td>8 K × 24-bit</td> <td>enabled</td> <td>enabled</td> <td>0</td> <td>0</td> </tr> <tr> <td>40 K × 24-bit</td> <td>0</td> <td>12 K × 24-bit</td> <td>12 K × 24-bit</td> <td>disabled</td> <td>enabled</td> <td>0</td> <td>1</td> </tr> <tr> <td>39 K × 24-bit</td> <td>1024 × 24-bit</td> <td>12 K × 24-bit</td> <td>12 K × 24-bit</td> <td>enabled</td> <td>enabled</td> <td>0</td> <td>1</td> </tr> <tr> <td>32 K × 24-bit</td> <td>0</td> <td>16 K × 24-bit</td> <td>16 K × 24-bit</td> <td>disabled</td> <td>enabled</td> <td>1</td> <td>0</td> </tr> <tr> <td>31 K × 24-bit</td> <td>1024 × 24-bit</td> <td>16 K × 24-bit</td> <td>16 K × 24-bit</td> <td>enabled</td> <td>enabled</td> <td>1</td> <td>0</td> </tr> <tr> <td>24 K × 24-bit</td> <td>0</td> <td>20 K × 24-bit</td> <td>20 K × 24-bit</td> <td>disabled</td> <td>enabled</td> <td>1</td> <td>1</td> </tr> <tr> <td>23 K × 24-bit</td> <td>1024 × 24-bit</td> <td>20 K × 24-bit</td> <td>20 K × 24-bit</td> <td>enabled</td> <td>enabled</td> <td>1</td> <td>1</td> </tr> </tbody> </table> <p>*Includes 4 K × 24-bit shared memory (that is, memory shared by the core and the EFCOP)</p>	Program RAM Size	Instruction Cache Size	X Data RAM Size*	Y Data RAM Size*	Instruction Cache	Switch Mode	MSW1	MSW0	16 K × 24-bit	0	24 K × 24-bit	24 K × 24-bit	disabled	disabled	0/1	0/1	15 K × 24-bit	1024 × 24-bit	24 K × 24-bit	24 K × 24-bit	enabled	disabled	0/1	0/1	48 K × 24-bit	0	8 K × 24-bit	8 K × 24-bit	disabled	enabled	0	0	47 K × 24-bit	1024 × 24-bit	8 K × 24-bit	8 K × 24-bit	enabled	enabled	0	0	40 K × 24-bit	0	12 K × 24-bit	12 K × 24-bit	disabled	enabled	0	1	39 K × 24-bit	1024 × 24-bit	12 K × 24-bit	12 K × 24-bit	enabled	enabled	0	1	32 K × 24-bit	0	16 K × 24-bit	16 K × 24-bit	disabled	enabled	1	0	31 K × 24-bit	1024 × 24-bit	16 K × 24-bit	16 K × 24-bit	enabled	enabled	1	0	24 K × 24-bit	0	20 K × 24-bit	20 K × 24-bit	disabled	enabled	1	1	23 K × 24-bit	1024 × 24-bit	20 K × 24-bit	20 K × 24-bit	enabled	enabled	1	1
Program RAM Size	Instruction Cache Size	X Data RAM Size*	Y Data RAM Size*	Instruction Cache	Switch Mode	MSW1	MSW0																																																																																		
16 K × 24-bit	0	24 K × 24-bit	24 K × 24-bit	disabled	disabled	0/1	0/1																																																																																		
15 K × 24-bit	1024 × 24-bit	24 K × 24-bit	24 K × 24-bit	enabled	disabled	0/1	0/1																																																																																		
48 K × 24-bit	0	8 K × 24-bit	8 K × 24-bit	disabled	enabled	0	0																																																																																		
47 K × 24-bit	1024 × 24-bit	8 K × 24-bit	8 K × 24-bit	enabled	enabled	0	0																																																																																		
40 K × 24-bit	0	12 K × 24-bit	12 K × 24-bit	disabled	enabled	0	1																																																																																		
39 K × 24-bit	1024 × 24-bit	12 K × 24-bit	12 K × 24-bit	enabled	enabled	0	1																																																																																		
32 K × 24-bit	0	16 K × 24-bit	16 K × 24-bit	disabled	enabled	1	0																																																																																		
31 K × 24-bit	1024 × 24-bit	16 K × 24-bit	16 K × 24-bit	enabled	enabled	1	0																																																																																		
24 K × 24-bit	0	20 K × 24-bit	20 K × 24-bit	disabled	enabled	1	1																																																																																		
23 K × 24-bit	1024 × 24-bit	20 K × 24-bit	20 K × 24-bit	enabled	enabled	1	1																																																																																		

Table 1. DSP56L307 Features (Continued)

Feature	Description
External Memory Expansion	<ul style="list-style-type: none"> Data memory expansion to two 256 K × 24-bit word memory spaces using the standard external address lines Program memory expansion to one 256 K × 24-bit words memory space using the standard external address lines External memory expansion port Chip select logic for glueless interface to static random access memory (SRAMs) Internal DRAM Controller for glueless interface to dynamic random access memory (DRAMs) up to 100 MHz operating frequency
Power Dissipation	<ul style="list-style-type: none"> Very low-power CMOS design Wait and Stop low-power standby modes Fully static design specified to operate down to 0 Hz (dc) Optimized power management circuitry (instruction-dependent, peripheral-dependent, and mode-dependent)
Packaging	<ul style="list-style-type: none"> Molded array plastic-ball grid array (MAP-BGA) package in lead-free or lead-bearing versions.

Target Applications

- Wireless and wireline infrastructure applications
- Multi-channel wireless local loop systems
- DSP resource boards
- High-speed modem banks
- Packet telephony

Product Documentation

The documents listed in **Table 2** are required for a complete description of the DSP56L307 device and are necessary to design properly with the part. Documentation is available from a local Freescale distributor, a Freescale semiconductor sales office, or a Freescale Semiconductor Literature Distribution Center. For documentation updates, visit the Freescale DSP website. See the contact information on the back cover of this document.

Table 2. DSP56L307 Documentation

Name	Description	Order Number
<i>DSP56L307 Technical Data</i>	Description, features list, and specifications of the DSP56L307	DSP56L307
<i>DSP56L307 User's Manual</i>	Detailed functional description of the DSP56L307 memory configuration, operation, and register programming	DSP56L307UM
<i>DSP56300 Family Manual</i>	Detailed description of the DSP56300 family processor core and instruction set	DSP56300FM
Application Notes	Documents describing specific applications or optimized device operation including code examples	See the DSP56L307 product website

How to Reach Us:

Home Page:

www.freescale.com

E-mail:

support@freescale.com

USA/Europe or Locations not listed:

Freescale Semiconductor
Technical Information Center, CH370
1300 N. Alma School Road
Chandler, Arizona 85224
+1-800-521-6274 or +1-480-768-2130
support@freescale.com

Europe, Middle East, and Africa:

Freescale Halbleiter Deutschland GMBH
Technical Information Center
Schatzbogen 7
81829 München, Germany
+44 1296 380 456 (English)
+46 8 52200080 (English)
+49 89 92103 559 (German)
+33 1 69 35 48 48 (French)
support@freescale.com

Japan:

Freescale Semiconductor Japan Ltd.
Headquarters
ARCO Tower 15F
1-8-1, Shimo-Meguro, Meguro-ku,
Tokyo 153-0064, Japan
0120 191014 or +81 3 5437 9125
support.japan@freescale.com

Asia/Pacific:

Freescale Semiconductor Hong Kong Ltd.
Technical Information Center
2 Dai King Street
Tai Po Industrial Estate
Tai Po, N.T. Hong Kong
+800 2666 8080
support.asia@freescale.com

For Literature Requests Only:

Freescale Semiconductor Literature Distribution Center
P.O. Box 5405
Denver, Colorado 80217
1-800-441-2447 or 303-675-2140
Fax: 303-675-2150
LDCForFreescaleSemiconductor@hibbertgroup.com

DSP56L307PB
Rev. 2
1/2005

Information in this document is provided solely to enable system and software implementers to use Freescale Semiconductor products. There are no express or implied copyright licenses granted hereunder to design or fabricate any integrated circuits or integrated circuits based on the information in this document.

Freescale Semiconductor reserves the right to make changes without further notice to any products herein. Freescale Semiconductor makes no warranty, representation or guarantee regarding the suitability of its products for any particular purpose, nor does Freescale Semiconductor assume any liability arising out of the application or use of any product or circuit, and specifically disclaims any and all liability, including without limitation consequential or incidental damages. "Typical" parameters which may be provided in Freescale Semiconductor data sheets and/or specifications can and do vary in different applications and actual performance may vary over time. All operating parameters, including "Typicals" must be validated for each customer application by customer's technical experts. Freescale Semiconductor does not convey any license under its patent rights nor the rights of others. Freescale Semiconductor products are not designed, intended, or authorized for use as components in systems intended for surgical implant into the body, or other applications intended to support or sustain life, or for any other application in which the failure of the Freescale Semiconductor product could create a situation where personal injury or death may occur. Should Buyer purchase or use Freescale Semiconductor products for any such unintended or unauthorized application, Buyer shall indemnify and hold Freescale Semiconductor and its officers, employees, subsidiaries, affiliates, and distributors harmless against all claims, costs, damages, and expenses, and reasonable attorney fees arising out of, directly or indirectly, any claim of personal injury or death associated with such unintended or unauthorized use, even if such claim alleges that Freescale Semiconductor was negligent regarding the design or manufacture of the part.

Freescale™ and the Freescale logo are trademarks of Freescale Semiconductor, Inc. All other product or service names are the property of their respective owners.

© Freescale Semiconductor, Inc. 2001, 2005.