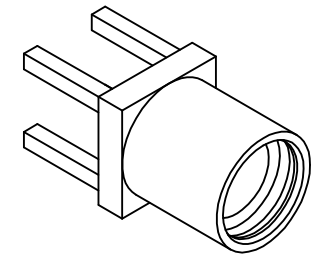
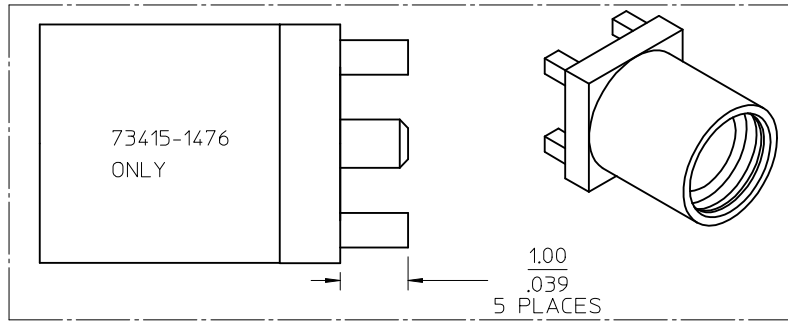


MATERIALS AND FINISHES

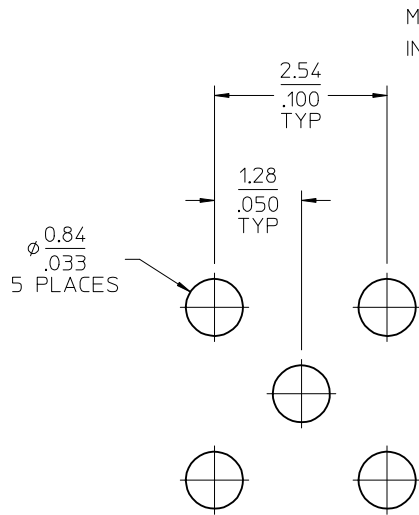
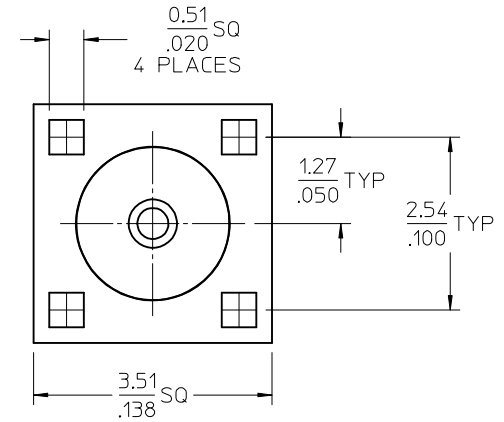
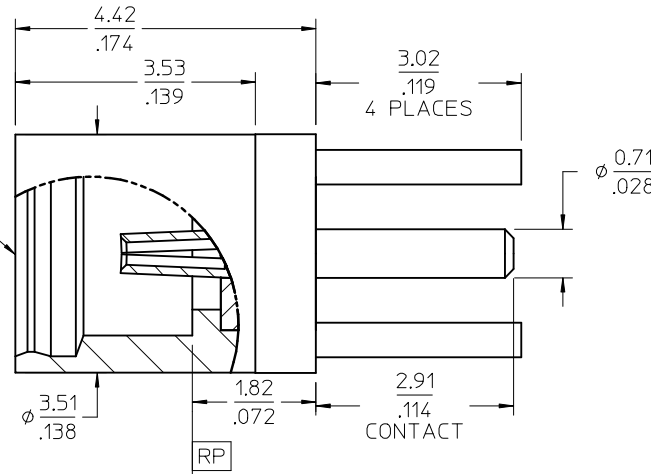
BODY SEE TABLE
PLATED SEE TABLE

CENTER CONTACT BERYLLIUM COPPER
PLATED GOLD

INSULATOR TEFLON



NOTE
PART # 73415-1473 IS
(NON-MAGNETIC)



SUGGESTED PCB LAYOUT

73415-1477	TRAY	BRASS/GOLD(PER COMMERCIAL REQUIREMENT)
73415-1476	TRAY (1.00 MM LEG LENGTHS)	BRASS/GOLD(PER COMMERCIAL REQUIREMENT)
73415-1475	P/N 73415-1471 WITH TAPE AND REEL	BRASS/GOLD(PER COMMERCIAL REQUIREMENT)
73415-1474	TRAY	BRASS/GOLD(PER COMMERCIAL REQUIREMENT)
73415-1473	BAG	BeCu/GOLD (NON MAGNETIC)
73415-1472	P/N 73415-1471, ONE PER BAG	BRASS/GOLD(PER COMMERCIAL REQUIREMENT)
73415-1471	BAG	BRASS/GOLD(PER COMMERCIAL REQUIREMENT)
73415-1470	BAG	BRASS/GOLD(PER MILITARY REQUIREMENT)
CECC 22 340	INTERFACE	
PS-89675-1920	ELECTRO/MECH PER.	
SPECIFICATION	DESCRIPTION	
	PART NO.	PACKAGING
		MATERIAL/PLATING

CHG: -1470/-1471/
-1473 PACKAGE BAG
WAS BULK
PER RF16-E124
EC NO: URF2017-0045
DRWNLIN 2016/08/03
CHKD:
APPR:YCHENG 2016/08/10
REVISIONS
DESCRIPTION
QUALITY SYMBOLS
=0
=0

GENERAL TOLERANCES (UNLESS SPECIFIED)

	mm	INCH
4 PLACES	± .005	± .0004
3 PLACES	± .005	± .0004
2 PLACES	± .005	± .0004
1 PLACE	± .005	± .0004

ANGULAR ± 2°

DRAFT WHERE APPLICABLE
MUST REMAIN
WITHIN DIMENSIONS

DIMENSION STYLE
MM/IN

DRAWN BY DATE
TEF 2000/01/14

CHECKED BY DATE
TEF 2000/01/14

APPROVED BY DATE
GMH 2000/01/14

MATERIAL NO.
SEE TABLE

SIZE
C

SCALE
DESIGN UNITS
METRIC

THIRD ANGLE PROJECTION

TITLE
MMCX JACK, PCB MOUNT
50 OHMS
MMCX-J/PCB

MOLEX INCORPORATED

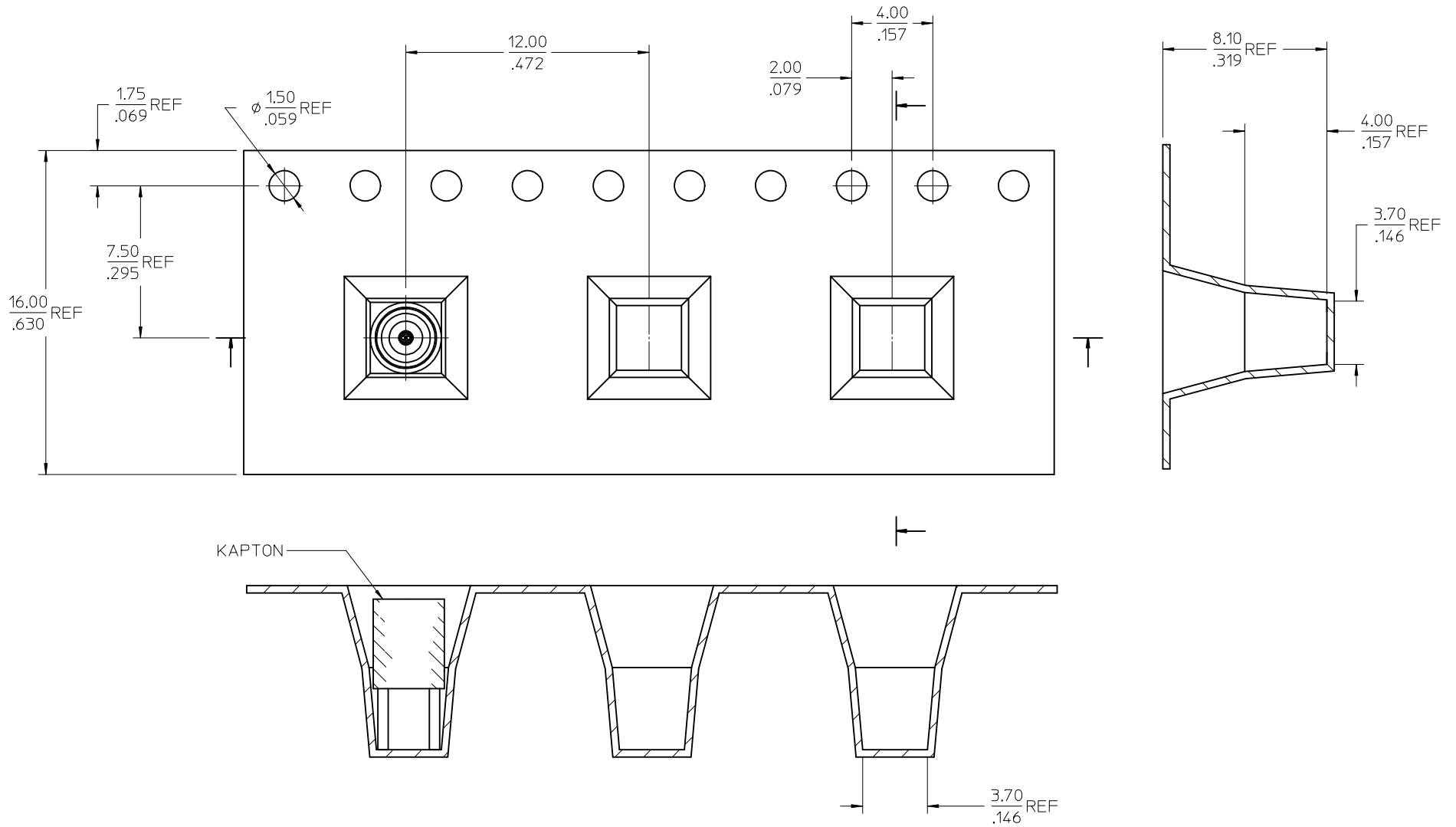
DOCUMENT NO.
SD-73415-147

SHEET NO.
1 OF 3

THIS DRAWING CONTAINS INFORMATION THAT IS PROPRIETARY TO MOLEX INCORPORATED AND SHOULD NOT BE USED WITHOUT WRITTEN PERMISSION

NOTE

DIMENSIONS ARE PROVIDED FOR REFERENCE ONLY



KAPTON

CHG: SEE SHEET 1

EC NO: URF2017-0045

DRWNLIN 2016/08/03

CHKD:

APPR: YCHENG 2016/08/10

DESCRIPTION

QUALITY SYMBOLS

▽=0

▽=0

GENERAL TOLERANCES (UNLESS SPECIFIED)

	mm	INCH
4 PLACES	± .010	± .0004
3 PLACES	± .015	± .0006
2 PLACES	± .020	± .0008
1 PLACE	± .030	± .0012

ANGULAR ± 2 °
DRAFT WHERE APPLICABLE MUST REMAIN WITHIN DIMENSIONS

DIMENSION STYLE MM/IN

DRAWN BY	DATE
TEF	2000/01/14
CHECKED BY	DATE
TEF	2000/01/14
APPROVED BY	DATE
GMH	2000/01/14

MATERIAL NO. SEE TABLE

SIZE C

SCALE

DESIGN UNITS METRIC

THIRD ANGLE PROJECTION



TITLE
MMCX JACK, PCB MOUNT
50 OHMS
MMCX-J/PCB



MOLEX INCORPORATED

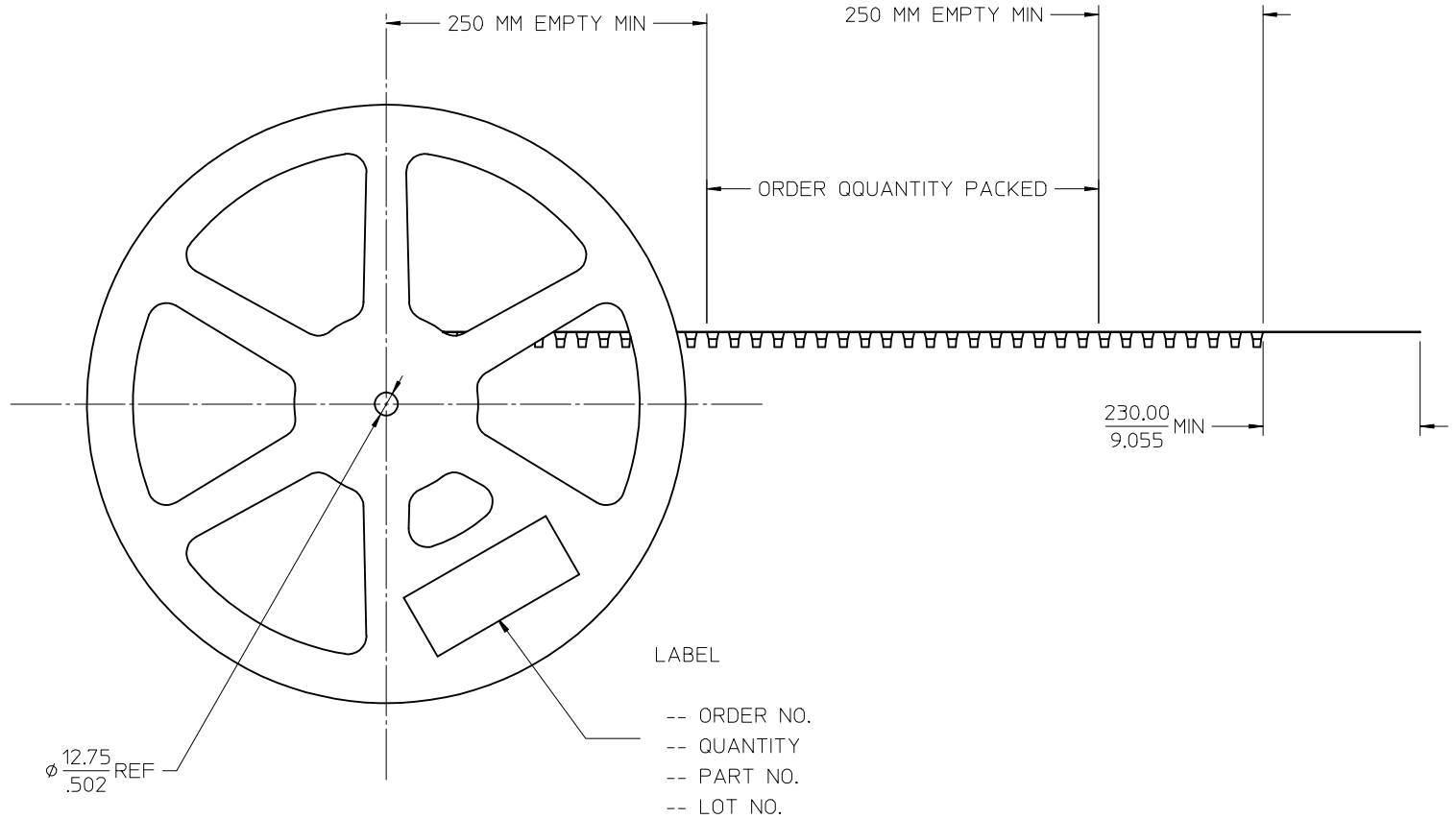
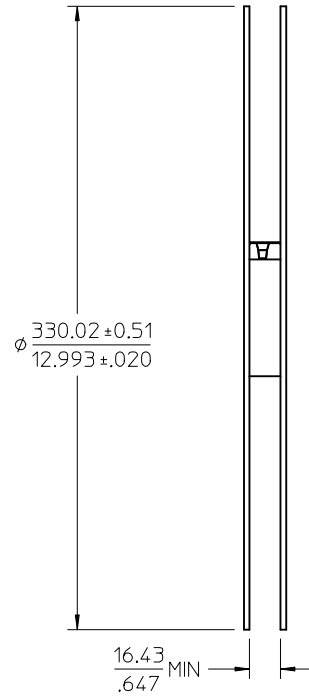
DOCUMENT NO.

SD-73415-147

SHEET NO.

2 OF 3

13" REEL SIZE



CHG: SEE SHEET 1

EC NO: URF2017-0045
 DRWNLIN 2016/08/03

CHKD:
 APPR: YCHENG 2016/08/10

REV/ DESCRIPTION

QUALITY SYMBOLS
 ▽=0
 ▽=0

GENERAL TOLERANCES (UNLESS SPECIFIED)

	mm	INCH
4 PLACES	± ---	± ---
3 PLACES	± ---	± ---
2 PLACES	± ---	± ---
1 PLACE	± ---	± ---

ANGULAR ± 2 °

DRAFT WHERE APPLICABLE MUST REMAIN WITHIN DIMENSIONS

DIMENSION STYLE
MM/IN

DRAWN BY	DATE
TEF	2000/01/14
CHECKED BY	DATE
TEF	2000/01/14
APPROVED BY	DATE
GMH	2000/01/14

MATERIAL NO. **SEE TABLE**

SCALE
METRIC

DESIGN UNITS
METRIC

THIRD ANGLE PROJECTION

TITLE
**MMCX JACK, PCB MOUNT
 50 OHMS
 MMCX-J/PCB**

MOLEX MOLEX INCORPORATED

DOCUMENT NO. **SD-73415-147**

SHEET NO. **3 OF 3**

THIS DRAWING CONTAINS INFORMATION THAT IS PROPRIETARY TO MOLEX INCORPORATED AND SHOULD NOT BE USED WITHOUT WRITTEN PERMISSION