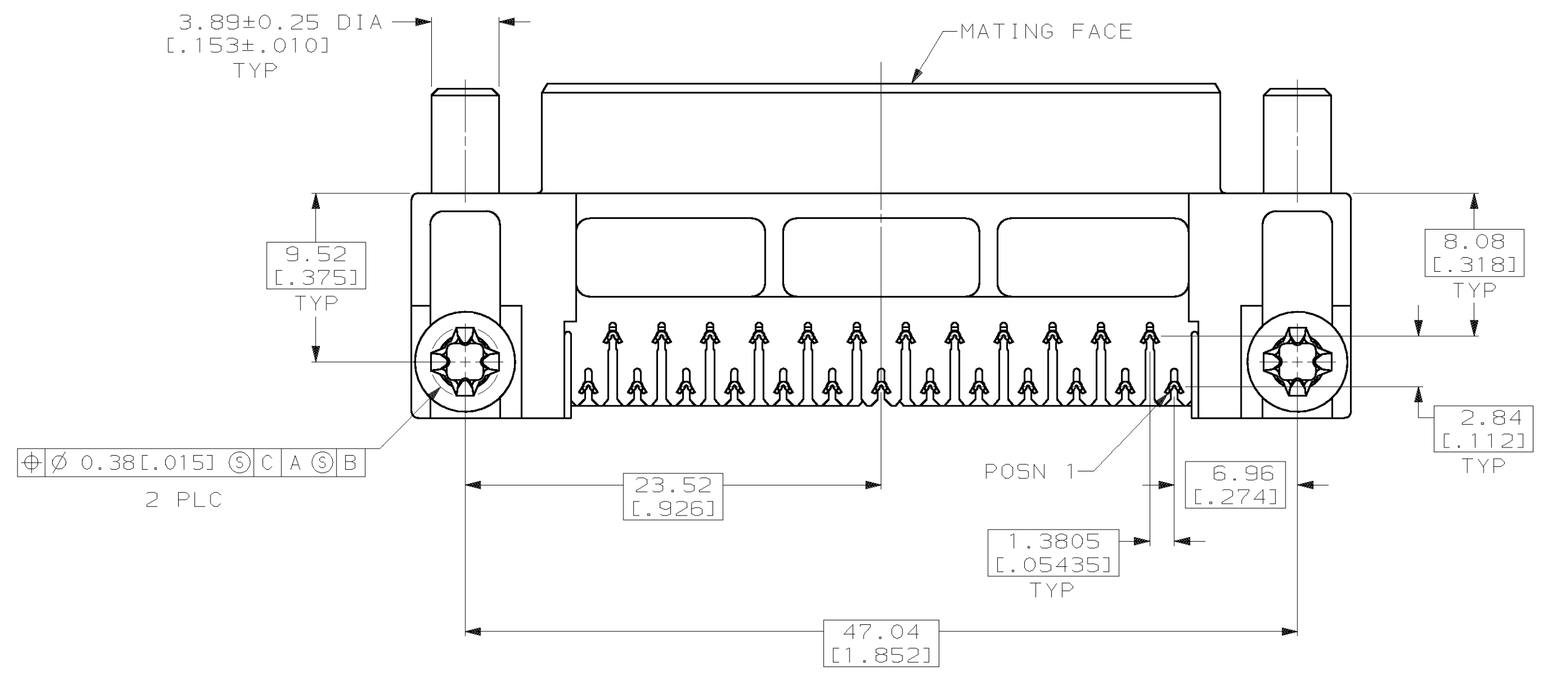
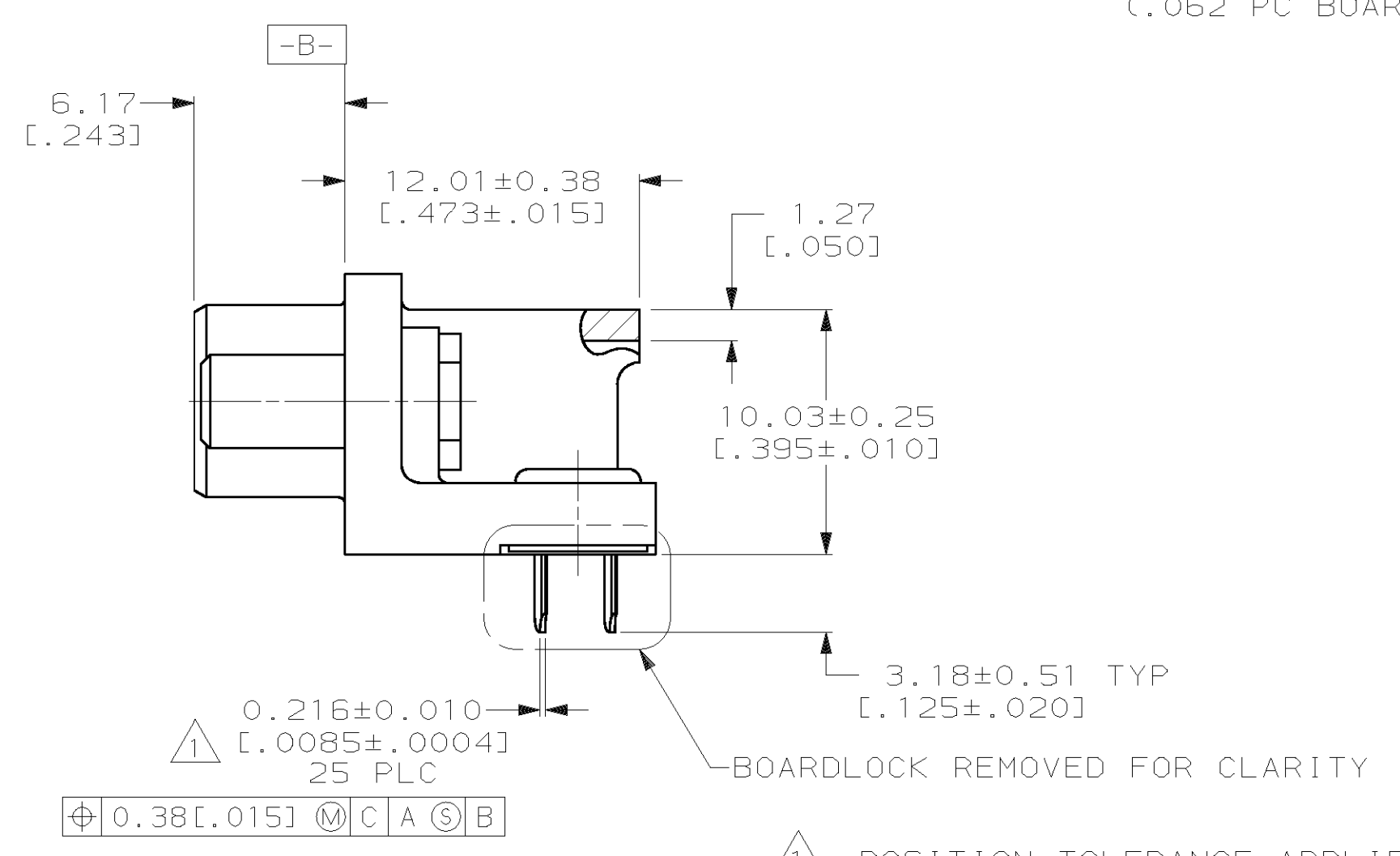
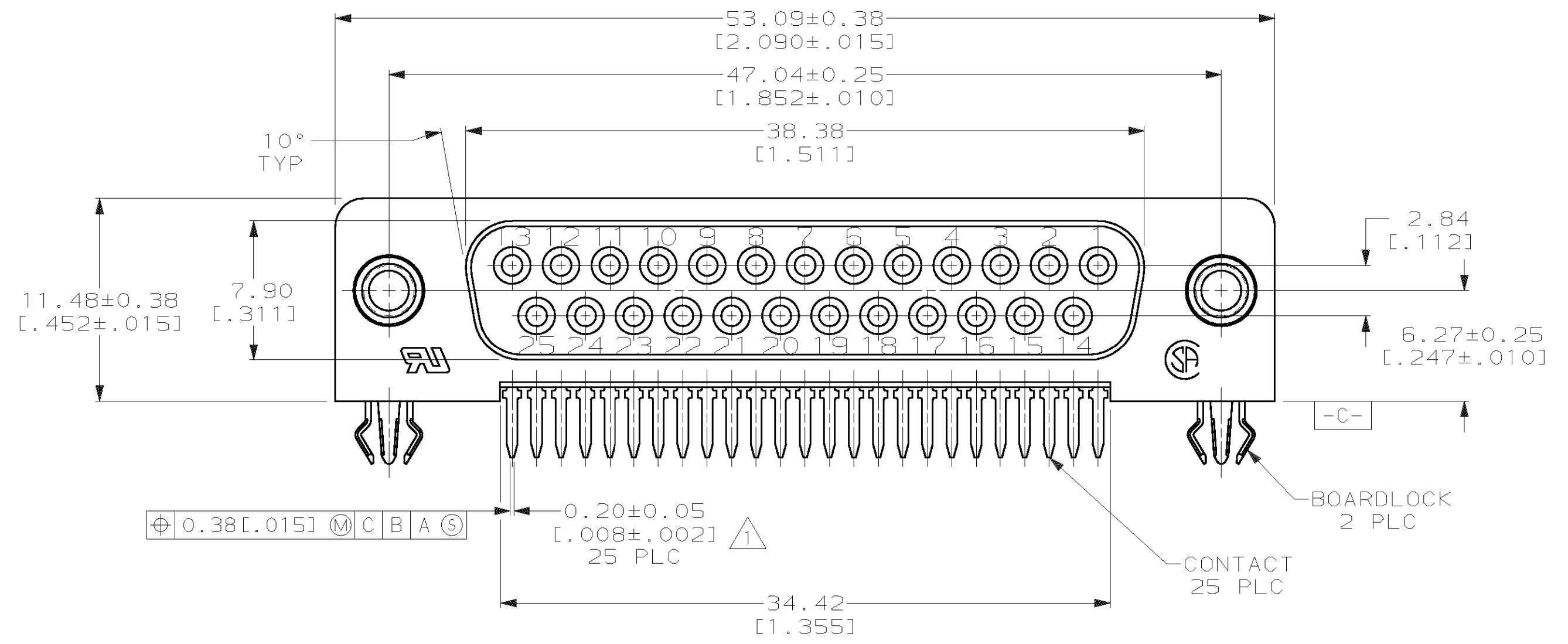
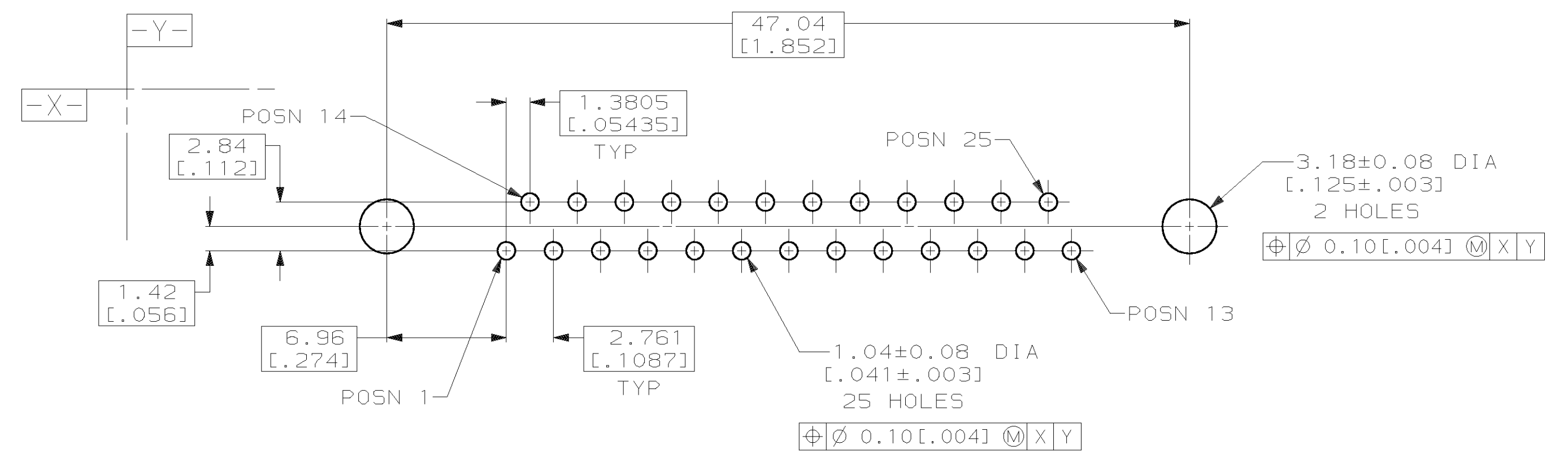
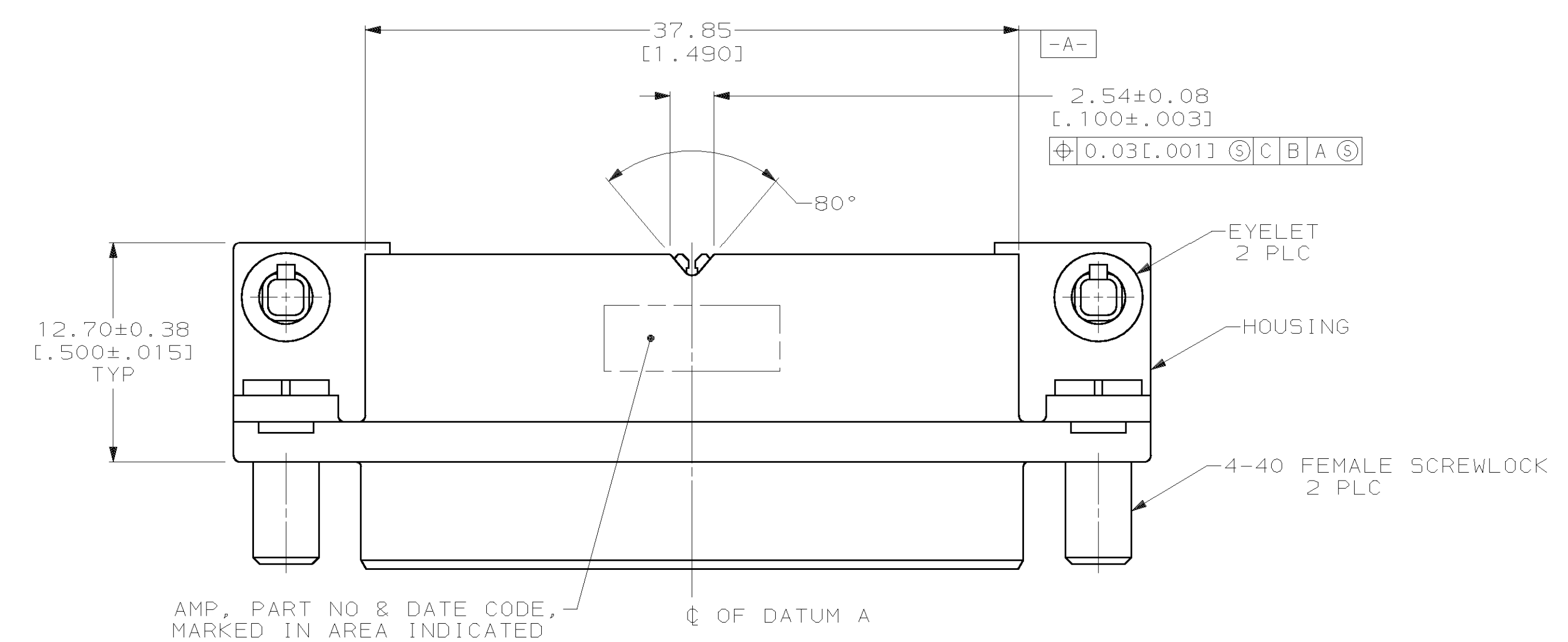


LOC	DIST	P	F	ZONE	LTR	DESCRIPTION	DATE	APPD
BD	77							
					D	REVISED PER ECN BD5477	01/28/92	CR
					E	OBS -3 PER ECN BD6411	03/31/93	CR
					F	REV PER EC 0020-1053-95	05 JAN 96	RLT
					G	OBS -2 AND REV PER OU1D-0126-00	01 NOV 00	RF



- 1 POSITION TOLERANCE APPLIES AT TIP ONLY.
- 2 NYLON OR POLYESTER, UL94V-0, BLACK.
- 3 PHOSPHOR BRONZE PER QQ-B-750.
- 4 EYELETS: BRASS; SCREWLOCKS: ZINC; BOARDLOCKS: COPPER ALLOY.
- 5 GOLD PLATING PER MIL-6-45204, NICKEL PLATING PER QQ-N-290, TIN PLATING PER MIL-T-10727.
- 6 EYELETS: 5.08 μm [0.000200] MIN TIN OVER COPPER FLASH; BOARDLOCKS: 5.08 μm [0.000200] MIN TIN-LEAD OVER 1.27 μm [0.000050] MIN NICKEL.
- 7 0.76 μm [0.000030] MIN GOLD FOR A LENGTH OF 1.52 [0.060] MIN FROM MATING END, 3.05 μm [0.000120] MIN TIN-LEAD FOR A LENGTH OF 3.68 [1.45] MIN FROM OPPOSITE END, BOTH OVER 1.27 μm [0.000050] MIN NICKEL.
- 8 GOLD FLASH FOR A LENGTH OF 1.52 [0.060] MIN FROM MATING END, 3.05 μm [0.000120] MIN TIN-LEAD FOR A LENGTH OF 3.68 [1.45] MIN FROM OPPOSITE END, BOTH OVER 1.27 μm [0.000050] MIN NICKEL.
- 9 0.25 μm [0.000010] MIN GOLD FOR A LENGTH OF 1.52 [0.060] MIN FROM MATING END, 3.05 μm [0.000120] MIN TIN-LEAD FOR A LENGTH OF 3.68 [1.45] MIN FROM OPPOSITE END, BOTH OVER 1.27 μm [0.000050] MIN NICKEL.

OBSOLETE	748981-3
OBSOLETE	748981-2
	748981-1

DO NOT SCALE PRINT. UNLESS SPECIFIED DIMENSIONS IN mm [INCHES] TOLERANCES ON: 2 PLC DEC ± 0.13 [0.005] 3 PLC DEC ± - ANGLES ± 2°	DR 08/03/89 S.WELDON CHK 08/11/89 R.STONE APPD 08/11/89 W.SWAIN APPD 08/11/89 C.RHODE	AMP INCORPORATED Harrisburg, Pa. 17105
MATERIAL HOUSING: 2 CONTACTS: 3 HARDWARE: 4	PRODUCT SPEC 108-1226	NAME RECEPTACLE ASSEMBLY, SIZE 3, 25 POSN, ALL PLASTIC, RIGHT ANGLE .318 SERIES, AMPLIMITE® III
FINISH 5 HARDWARE: 6 CONTACTS: SEE TABLE SCREWLOCKS: CLEAR CHROMATE	APPLICATION SPEC 114-40027	SIZE D CAGE CODE 00779 DRAWING NO 748981
	WEIGHT -	SCALE 4:1 SHEET 1 OF 1