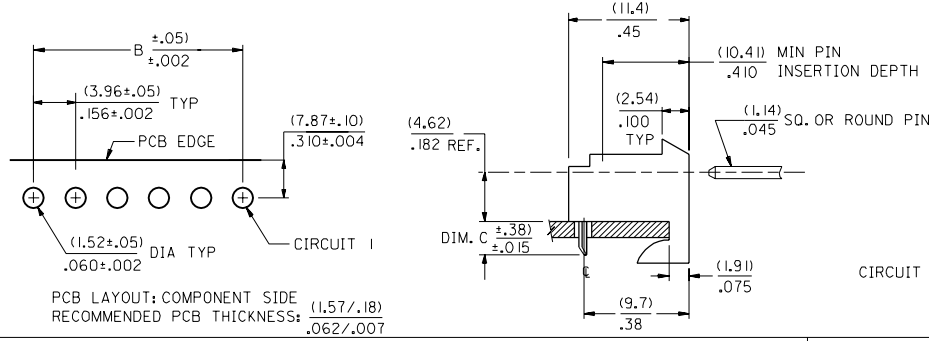
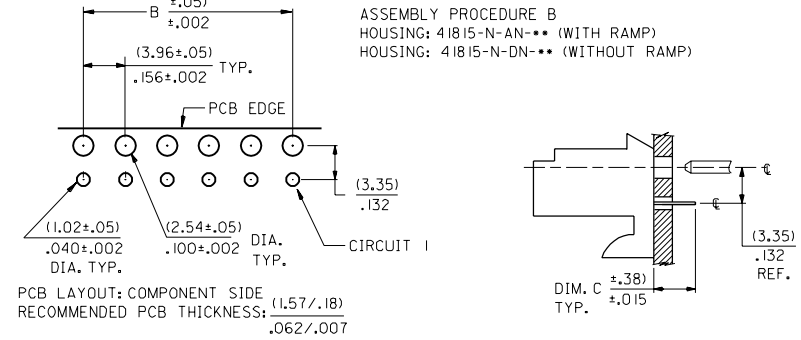


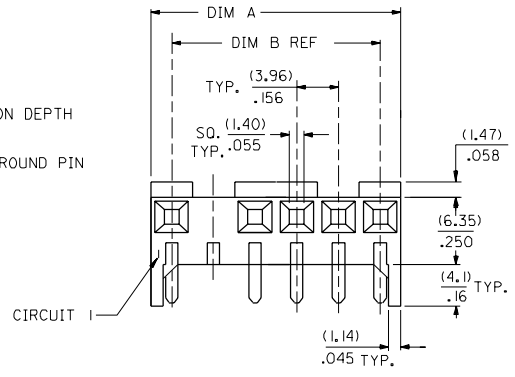
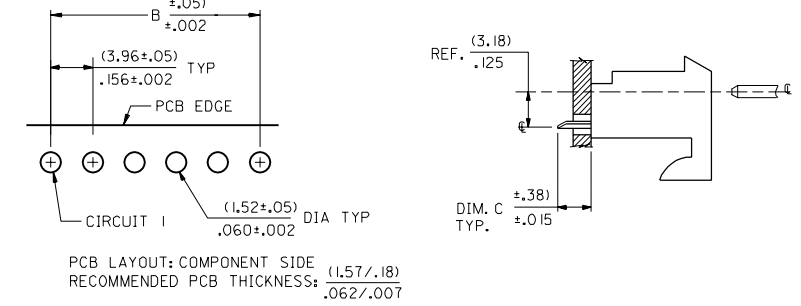
ASSEMBLY PROCEDURE A
HOUSING: 41815-N-AN-** (WITH RAMP)
HOUSING: 41815-N-DN-** (WITHOUT RAMP)



ASSEMBLY PROCEDURE B
HOUSING: 41815-N-AN-** (WITH RAMP)
HOUSING: 41815-N-DN-** (WITHOUT RAMP)



ASSEMBLY PROCEDURE C
HOUSING: 41815-N-AN-** (WITH RAMP)
HOUSING: 41815-N-DN-** (WITHOUT RAMP)



DIM. B	DIM. A	NO. OF CKTS
(3.96)	(7.82±.25)	2
.156	.308±.010	
(7.92)	(11.79±.25)	3
.312	.464±.010	
(11.89)	(15.75±.25)	4
.468	.620±.010	
(15.85)	(19.71±.25)	5
.624	.776±.010	
(19.81)	(23.67±.25)	6
.780	.932±.010	
(23.77)	(27.64±.30)	7
.936	1.088±.012	
(27.74)	(31.60±.25)	8
1.092	1.244±.012	
(31.70)	(35.56±.30)	9
1.248	1.400±.012	
(35.66)	(39.52±.30)	10
1.404	1.556±.012	
(39.62)	(43.48±.30)	11
1.560	1.712±.012	
(43.59)	(47.45±.30)	12
1.716	1.868±.012	
(47.55)	(51.41±.30)	13
1.872	2.024±.012	
(51.51)	(55.37±.36)	14
2.028	2.180±.014	
(55.47)	(59.33±.36)	15
2.184	2.336±.014	

NOTES:

2. SOLDERABILITY: WHEN PARTS ARE SOLDERED AT A TEMPERATURE OF 230°C OR 446°F FOR 5 SECONDS EACH SOLDERED SURFACE SHALL BE A MINIMUM OF 95% COVERED WITH A SMOOTH CONTINUOUS ADHERENT COATING. FOR ADDITIONAL INFORMATION SEE ES-152.
3. MATERIAL: HOUSING: POLYESTER, 94V-0 COLOR NATURAL (WHITE)
5. SEE SMES-42329-*** FOR KINK PIN INFORMATION.
6. PRODUCT SPECIFICATION: PS-08-50
7. PARTS ARE STACKABLE END TO END ON (3.96)/.156 @
8. FOR TOP ENTRY AND RIGHT ANGLE ASSEMBLIES WITH LOWER INSERTION FORCE USE SINGLE BEAM CONTACT. (TERMINAL NO. 4244)

41815

7	AH1
6	AH
5	AH
4	AH
3	AH
2	AH
1	AH1

MFG. SH. REV.

REL 0551 UCR2000-0200	DIMENSIONS SHOWN METRIC () INCH UNLESS OTHERWISE SPECIFIED TOLERANCES: ANGULAR ± 1°	▽ = 0 ▼ = 0	REVISE ONLY ON CAD SYSTEM
AH1	9-13-99 SAMIEC	TITLE (3.96)/.156@ PC BOARD CONNECTOR ASSEMBLY 41815 SERIES DWG.	SHEET NO. 1 OF 7 DATE 01/28/87
AH	RENO. FOR SAP UCR 1999-0602 99-12-15 SAMIEC	3 PLACE ± 2 PLACE ± 1 PLACE ±	MOLEX INCORPORATED LITTLE FALLS, N.J. U.S.A.
AG1	REL -NC102-0028 UCR1998-0103 98-3-24 SAMIEC	DRAFT WHERE APPLICABLE MUST REMAIN WITHIN DIMENSIONS	FILE NAME S41815X1 THIS DRAWING CONTAINS INFORMATION THAT IS PROPRIETARY TO MOLEX INC. AND SHOULD NOT BE USED WITHOUT WRITTEN PERMISSION.
LTR.	REVISIONS	DRWG. BY SAMIEC	SCALE
LTR.	REVISIONS	CHKD. BY	DATE
		APP'D. LENZ	

KINKED TERMINAL OPTION
SEE NOTE 5
(SEE ASSY PROC. C FOR PCB LAYOUT)

HOOKS REMOVED OPTION

	13	12	11	10	9	8	7	6	41815	4	3	2	1																																																	
J	ENG. NO.	HOUSING NO.	HOUSING TYPE	TERMINAL NO.	TERM. MAT'L	ASSEMBLY PROCEDURE	DIM. C	TERMINAL VOID LOC.	PACKING	KINKED TERMINAL	HOOKS REMOVED			J																																																
	A-41815-0327/0340	41815-N-DN	WITHOUT RAMP	2188-(P913)	BRASS	B: BOTTOM ENTRY	(4.06) /.160	NONE	BULK	NO	YES																																																			
	A-41815-0341/0354	41815-N-AN	WITH RAMP	2144-AA-A1AA-505B	BRASS	A: SIDE ENTRY	(3.68) /.145	NONE	BULK	NO	NO																																																			
	A-41815-0355/0368	41815-N-DN	WITHOUT RAMP	2144-AA-A1AA-P913B	BRASS	C: TOP ENTRY	(3.05) /.120	NONE	BULK	NO	NO																																																			
	A-41815-0369/0382	41815-N-AN	WITH RAMP	4244-A1021A	PHOS BRONZE	A: SIDE ENTRY	(3.68) /.145	NONE	BULK	NO	NO																																																			
I	A-41815-0383/0396	41815-N-AN	WITH RAMP	2188-K122	BRASS	B: BOTTOM ENTRY	(3.18) /.125	NONE	BULK	NO	NO			I																																																
	A-41815-0397/0410	41815-N-AN	WITH RAMP	6298-K563	PHOS BRONZE	B: BOTTOM ENTRY	(4.06) /.160	NONE	BULK	NO	NO																																																			
	A-41815-0411/0424	41815-N-AN	WITH RAMP	2144-BA-A1AA-563B	PHOS BRONZE	C: TOP ENTRY	(3.05) /.120	NONE	BULK	NO	NO																																																			
	A-41815-0425/0438	41815-N-AN	WITH RAMP	2144-AA-A1AA-587B	BRASS	A: SIDE ENTRY	(3.68) /.145	NONE	BULK	NO	NO																																																			
H	A-41815-0327/0340			A-41815-0341/0354			A-41815-0355/0368			A-41815-0369/0382			H																																																	
	PART NO.	ENG. NO.	CKT	PART NO.	ENG. NO.	CKT	PART NO.	ENG. NO.	CKT	PART NO.	ENG. NO.	CKT																																																		
		A-41815-0327	2		A-41815-0341	2		A-41815-0355	2	09-48-1023	A-41815-0369	2																																																		
		A-41815-0328	3	09-48-3037	A-41815-0342	3		A-41815-0356	3	09-48-1033	A-41815-0370	3																																																		
		A-41815-0329	4		A-41815-0343	4	09-48-2047	A-41815-0357	4	09-48-1043	A-41815-0371	4																																																		
G	09-48-2056	A-41815-0330	5		A-41815-0344	5		A-41815-0358	5	09-48-1053	A-41815-0372	5																																																		
		A-41815-0331	6		A-41815-0345	6		A-41815-0359	6	09-48-1063	A-41815-0373	6																																																		
		A-41815-0332	7		A-41815-0346	7		A-41815-0360	7	09-48-1073	A-41815-0374	7																																																		
	09-48-2086	A-41815-0333	8		A-41815-0347	8		A-41815-0361	8	09-48-1083	A-41815-0375	8																																																		
		A-41815-0334	9		A-41815-0348	9		A-41815-0362	9	09-48-1093	A-41815-0376	9																																																		
	09-48-2106	A-41815-0335	10		A-41815-0349	10	09-48-2107	A-41815-0363	10	09-48-1103	A-41815-0377	10																																																		
		A-41815-0336	11		A-41815-0350	11		A-41815-0364	11	09-48-1113	A-41815-0378	11																																																		
F		A-41815-0337	12		A-41815-0351	12		A-41815-0365	12	09-48-1123	A-41815-0379	12																																																		
		A-41815-0338	13		A-41815-0352	13		A-41815-0366	13	09-48-1133	A-41815-0380	13																																																		
		A-41815-0339	14		A-41815-0353	14		A-41815-0367	14	09-48-1143	A-41815-0381	14																																																		
		A-41815-0340	15		A-41815-0354	15		A-41815-0368	15	09-48-1153	A-41815-0382	15																																																		
	WAS: A-41815-NB913-0017			WAS: A-41815-NA505-0001			WAS: A-41815-NC913-0020			WAS: A-41815-NA102-0022																																																				
E	A-41815-0383/0396			A-41815-0397/0410			A-41815-0411/0424			A-41815-0425/0438			E																																																	
	PART NO.	ENG. NO.	CKT	PART NO.	ENG. NO.	CKT	PART NO.	ENG. NO.	CKT	PART NO.	ENG. NO.	CKT																																																		
	09-48-4025	A-41815-0383	2		A-41815-0397	2		A-41815-0411	2	09-48-3025	A-41815-0425	2																																																		
	09-48-4035	A-41815-0384	3		A-41815-0398	3		A-41815-0412	3	09-48-3035	A-41815-0426	3																																																		
D	09-48-4045	A-41815-0385	4		A-41815-0399	4		A-41815-0413	4	09-48-3045	A-41815-0427	4																																																		
	09-48-4055	A-41815-0386	5		A-41815-0400	5		A-41815-0414	5	09-48-3055	A-41815-0428	5																																																		
	09-48-4065	A-41815-0387	6		A-41815-0401	6		A-41815-0415	6	09-48-3065	A-41815-0429	6																																																		
	09-48-4075	A-41815-0388	7		A-41815-0402	7		A-41815-0416	7	09-48-3075	A-41815-0430	7																																																		
	09-48-4085	A-41815-0389	8	09-48-3088	A-41815-0403	8	09-48-5087	A-41815-0417	8	09-48-3085	A-41815-0431	8																																																		
	09-48-4095	A-41815-0390	9		A-41815-0404	9		A-41815-0418	9	09-48-3095	A-41815-0432	9																																																		
C	09-48-4105	A-41815-0391	10		A-41815-0405	10		A-41815-0419	10	09-48-3105	A-41815-0433	10																																																		
	09-48-4115	A-41815-0392	11	09-48-3118	A-41815-0406	11	09-48-5117	A-41815-0420	11	09-48-3115	A-41815-0434	11																																																		
	09-48-4125	A-41815-0393	12		A-41815-0407	12		A-41815-0421	12	09-48-3125	A-41815-0435	12																																																		
	09-48-4135	A-41815-0394	13	09-48-3138	A-41815-0408	13	09-48-5137	A-41815-0422	13	09-48-3135	A-41815-0436	13																																																		
	09-48-4145	A-41815-0395	14		A-41815-0409	14		A-41815-0423	14	09-48-3145	A-41815-0437	14																																																		
	09-48-4155	A-41815-0396	15		A-41815-0410	15		A-41815-0424	15	09-48-3155	A-41815-0438	15																																																		
	WAS: A-41815-NB122-0002			WAS: A-41815-NB563-0003			WAS: A-41815-NC563-0011			WAS: A-41815-NA587-0001																																																				
A	<table border="1"> <tr> <td>SEE SHT 1</td> <td>DIMENSIONS SHOWN METRIC INCH</td> <td>▽ = 0</td> <td>▽ = 0</td> <td>REVISE ONLY ON CAD SYSTEM</td> </tr> <tr> <td>SEE SHT 1</td> <td>UNLESS OTHERWISE SPECIFIED TOLERANCES ANGULAR ± 1/2°</td> <td colspan="3">TITLE (3.96) /.156 PC BOARD CONNECTOR ASSEMBLY 41815 SERIES DWG.</td> </tr> <tr> <td>SEE SHT 1</td> <td>INCH METRIC</td> <td colspan="3">MOLEX INCORPORATED SHEET NO. 5 DATE 01/30/87</td> </tr> <tr> <td>SEE SHT 1</td> <td>3 PLACE ±</td> <td colspan="3">PART NO. SDA-41815</td> </tr> <tr> <td>SEE SHT 1</td> <td>2 PLACE ±</td> <td colspan="3">DRAWING NO. 60532</td> </tr> <tr> <td>SEE SHT 1</td> <td>1 PLACE ±</td> <td colspan="3">DRAWING NO. 60532</td> </tr> <tr> <td>SEE SHT 1</td> <td>DRAFT WHERE APPLICABLE MUST REMAIN WITHIN DIMENSIONS</td> <td colspan="3">DRAWING NO. 60532</td> </tr> <tr> <td>SEE SHT 1</td> <td>DRAWN BY: SAMIEC</td> <td colspan="3">DRAWING NO. 60532</td> </tr> <tr> <td>SEE SHT 1</td> <td>APP'D: LENZ</td> <td colspan="3">DRAWING NO. 60532</td> </tr> <tr> <td>LTR. REVISIONS</td> <td>LTR. REVISIONS</td> <td colspan="3">DRAWING NO. 60532</td> </tr> </table>											SEE SHT 1	DIMENSIONS SHOWN METRIC INCH	▽ = 0	▽ = 0	REVISE ONLY ON CAD SYSTEM	SEE SHT 1	UNLESS OTHERWISE SPECIFIED TOLERANCES ANGULAR ± 1/2°	TITLE (3.96) /.156 PC BOARD CONNECTOR ASSEMBLY 41815 SERIES DWG.			SEE SHT 1	INCH METRIC	MOLEX INCORPORATED SHEET NO. 5 DATE 01/30/87			SEE SHT 1	3 PLACE ±	PART NO. SDA-41815			SEE SHT 1	2 PLACE ±	DRAWING NO. 60532			SEE SHT 1	1 PLACE ±	DRAWING NO. 60532			SEE SHT 1	DRAFT WHERE APPLICABLE MUST REMAIN WITHIN DIMENSIONS	DRAWING NO. 60532			SEE SHT 1	DRAWN BY: SAMIEC	DRAWING NO. 60532			SEE SHT 1	APP'D: LENZ	DRAWING NO. 60532			LTR. REVISIONS	LTR. REVISIONS	DRAWING NO. 60532			A
SEE SHT 1	DIMENSIONS SHOWN METRIC INCH	▽ = 0	▽ = 0	REVISE ONLY ON CAD SYSTEM																																																										
SEE SHT 1	UNLESS OTHERWISE SPECIFIED TOLERANCES ANGULAR ± 1/2°	TITLE (3.96) /.156 PC BOARD CONNECTOR ASSEMBLY 41815 SERIES DWG.																																																												
SEE SHT 1	INCH METRIC	MOLEX INCORPORATED SHEET NO. 5 DATE 01/30/87																																																												
SEE SHT 1	3 PLACE ±	PART NO. SDA-41815																																																												
SEE SHT 1	2 PLACE ±	DRAWING NO. 60532																																																												
SEE SHT 1	1 PLACE ±	DRAWING NO. 60532																																																												
SEE SHT 1	DRAFT WHERE APPLICABLE MUST REMAIN WITHIN DIMENSIONS	DRAWING NO. 60532																																																												
SEE SHT 1	DRAWN BY: SAMIEC	DRAWING NO. 60532																																																												
SEE SHT 1	APP'D: LENZ	DRAWING NO. 60532																																																												
LTR. REVISIONS	LTR. REVISIONS	DRAWING NO. 60532																																																												