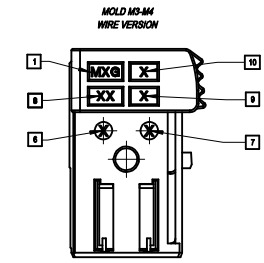
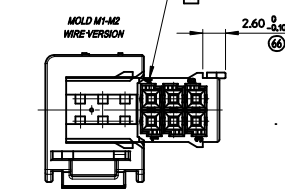
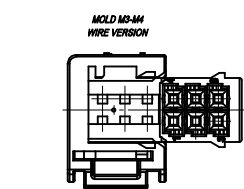
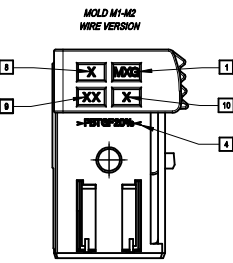
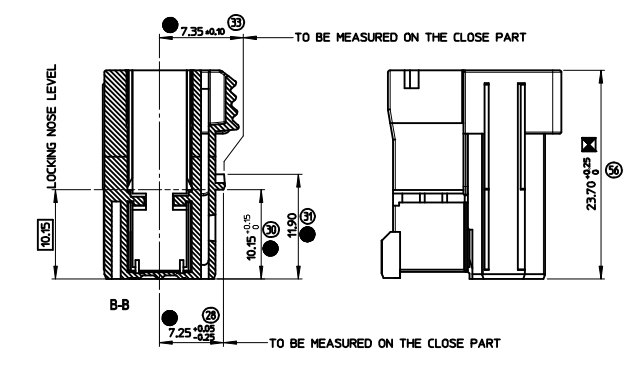
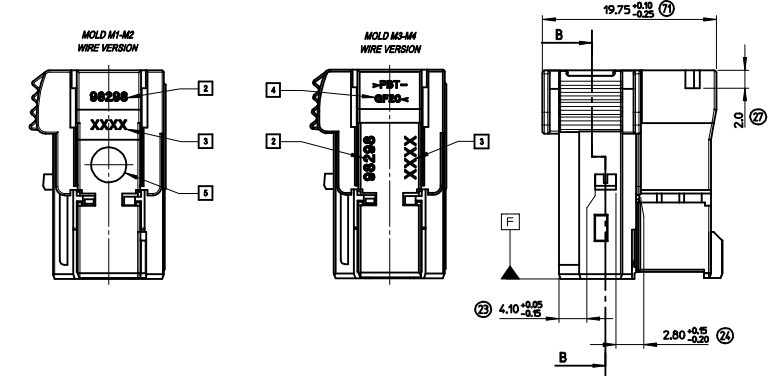


CODING	COLOR	DESCRIPTION	MATERIAL NUMBER
6	BLEU BLUE	BLUE HSG WIRE	0982980006
5	GRIS GREY	GREY HSG WIRE	0982980005
4	MARRON BROWN	BROWN HSG WIRE	0982980004
3	VERTE GREEN	GREEN HSG WIRE	0982980003
2	BLANCHE WHITE	WHITE HSG WIRE	0982980002
1	NOIR BLACK	BLACK HSG WIRE	0982980001

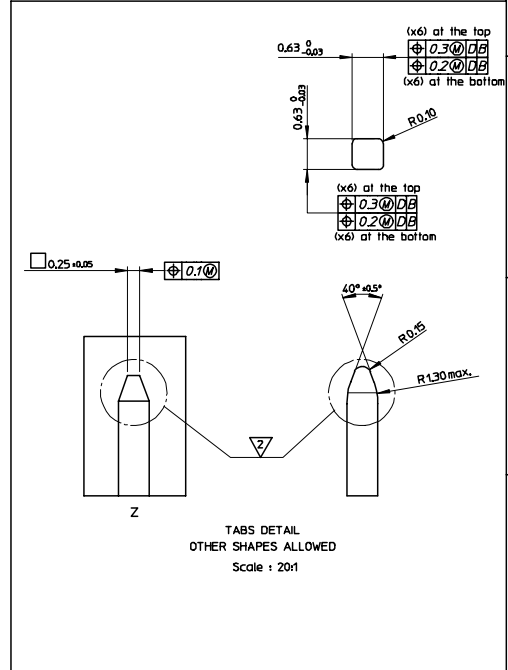
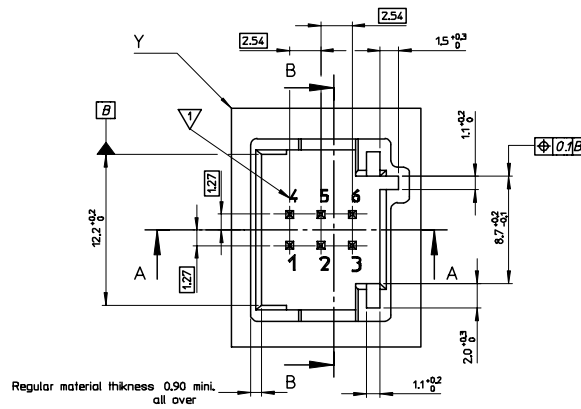
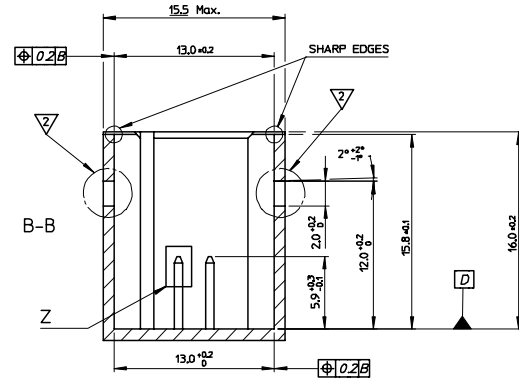
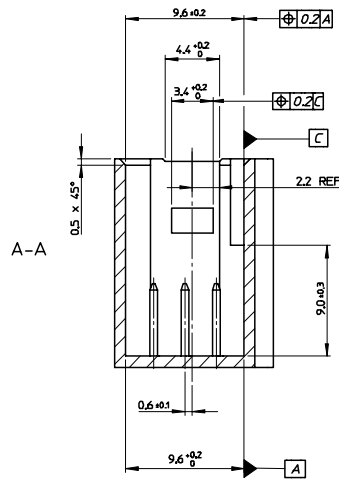


- NOTES:
- 1 • Engineering control ID.
 - 2 • Serial number.
 - 3 • Part number.
 - 4 • Material marking.
 - 5 • Date indicator Year / Month.
 - 6 • Applied to the Mold M1-M2, Date indicator Year.
 - 7 • Applied to the Mold M3-M4, Date indicator Month.
 - 8 • Mold cavity marking.
 - 9 • Sales drawing revision level.
 - 10 • Mold revision level.
 - 11 • Cavity marking.

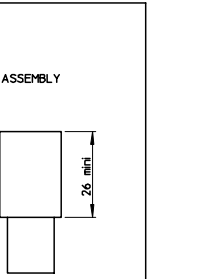
REV.	DESCRIPTION	NAME	DATE
F	Add wire 1 mold M3-M4, wire 010	PGD	09/16/13
F	Add wire 2 mold M3-M4, wire 010	PGD	07/07/10
E1	Pin 10-02 because 2.50 (+0.25mm) has 2 positions. Capacity dimension moved because 2.50 is not 2.5mm.	LSY	05/16/13
E	Update wire 1 Part: 450 4529-0-05 use 450 4529 Part: 220 4529-0-05 use 220 4529 Part: 150 4529-0-05 use 150 4529	PGD	05/04/17
D	Update wire 2	PGD	04/19/11
C	Add wire coding 5 and 6	PGD	03/09/16
B	Update coding	PGD	03/09/16
A	Prehistory issues for customer	PGD	02/06/16

ISKO CODES CITE
TYPE DIMENSIONS
INDICATION DIMENSIONS S.P.C DENOTES S.P.C DIMENSIONS
INDICATION DIMENSIONS CRITIQUE DENOTES CRITICAL DIMENSIONS
INDICATION DIMENSIONS FONCTIONNELLES DENOTES FUNCTIONAL DIMENSIONS
QUANTITE PAR FEUILLE INDIVIDUELLE QUANTITY PER INDIVIDUAL SHEET
X1 - 1 X0 - 0 X9 - 9 ISKO - 0

REVISED EC NO: C:\DOWNP85504\IN 20091107\3 CHKD: APPR:	REVISION SYMBOLS ▽	GENERAL TOLERANCES (UNLESS SPECIFIED)		DIMENSION STYLE		SCALE	DESIGN UNITS		FIRST ANGLE PROJECTION
		m	INCH	MM ONLY		3.5:1	METRIC	6 WAY MOX OR 2X3 WAY BREAKABLE	
		DRAWN BY		DATE		TITLE			
PGRANDCL		20011/08/16		MOLEX INCORPORATED					
CHECKED BY		DATE		MATERIAL NO.		DOCUMENT NO.		SHEET NO.	
PPOZZO		20011/08/22		SEE CHART		SD-98298-002			1 OF 1
APPROVED BY		DATE		THIS DRAWING CONTAINS INFORMATION THAT IS PROPRIETARY TO MOLEX INCORPORATED AND SHOULD NOT BE USED WITHOUT WRITTEN PERMISSION					
APPROVED BY		DATE		LSTICEI		20011/08/22			



CODING BOARD			
ORIGINALS		COMPLEMENTARY CODING	
BROWN		GREY	
GREEN		BLUE	
WHITE		MALE HOUSING NOT AVAILABLE FOR COMPLEMENTARY CODING MECHANICAL SETTINGS CAN BE DIFFERENT FROM ORIGINAL CODING TO COMPLEMENTARY ONES.	
BLACK			



- NOTES:
- 1 CAVITY PREINT MUST NOT GET OUTSIDE THE BOTTOM OF THE PREINT
 - 2 NO BURR ADMITED IN THAT AREA
 - 3 RADIUS WITHOUT DIMENSIONS R=0.5 MAX

Recommended Plastic Material: >PBT-GF20<
Recommended Metal Material: CuSn6 or CuFe2
Plating: 0.84µm to 3.34µm minus of pure tin (Sn)
1.34µm mini Nickel (Ni) underlayer.

FIRST RELEASE EC NO. 02003-0019 DRAWING SERIES 2005/04/12 CHKD: JLDUCLOS 2005/04/17 APPR: STICKEIR 2005/04/28	QUALITY SYMBOLS ▽=0 ▽=0	GENERAL TOLERANCES (UNLESS SPECIFIED)	DIMENSION STYLE MM ONLY	SCALE 5:1	DESIGN UNITS METRIC	FIRST ANGLE PROJECTION
		4 PLACES ± --- ± --- 3 PLACES ± --- ± --- 2 PLACES ± 0.10 ± --- 1 PLACE ± 0.2 ± --- ANGULAR ± 1/2°	DRAWN BY GDESBRUERES 2005/04/13	DATE 2005/04/13	TITLE INTERFACE DRAWING MOX RCPT HSG DR 3CKT 98298 SERIES#	
MATERIAL NO.	DRAWN WHERE APPLICABLE MUST REMAIN WITHIN DIMENSIONS	APPROVED BY STICKEIR 2005/04/19				MOLEX INCORPORATED
		DOCUMENT NO. SD-98298-003		SHEET NO. 1 OF 1		