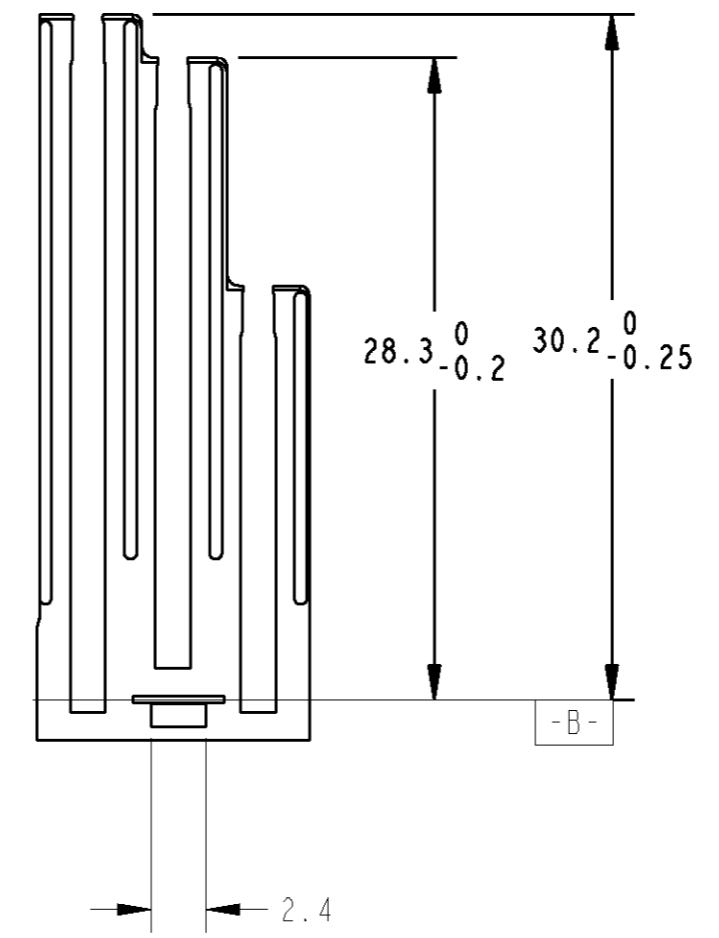
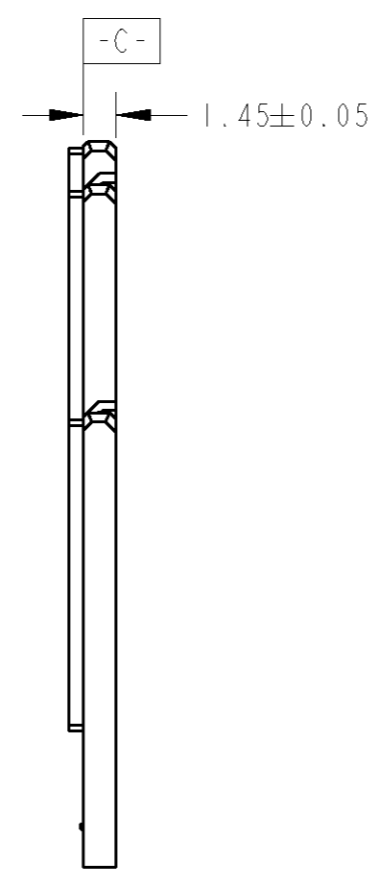
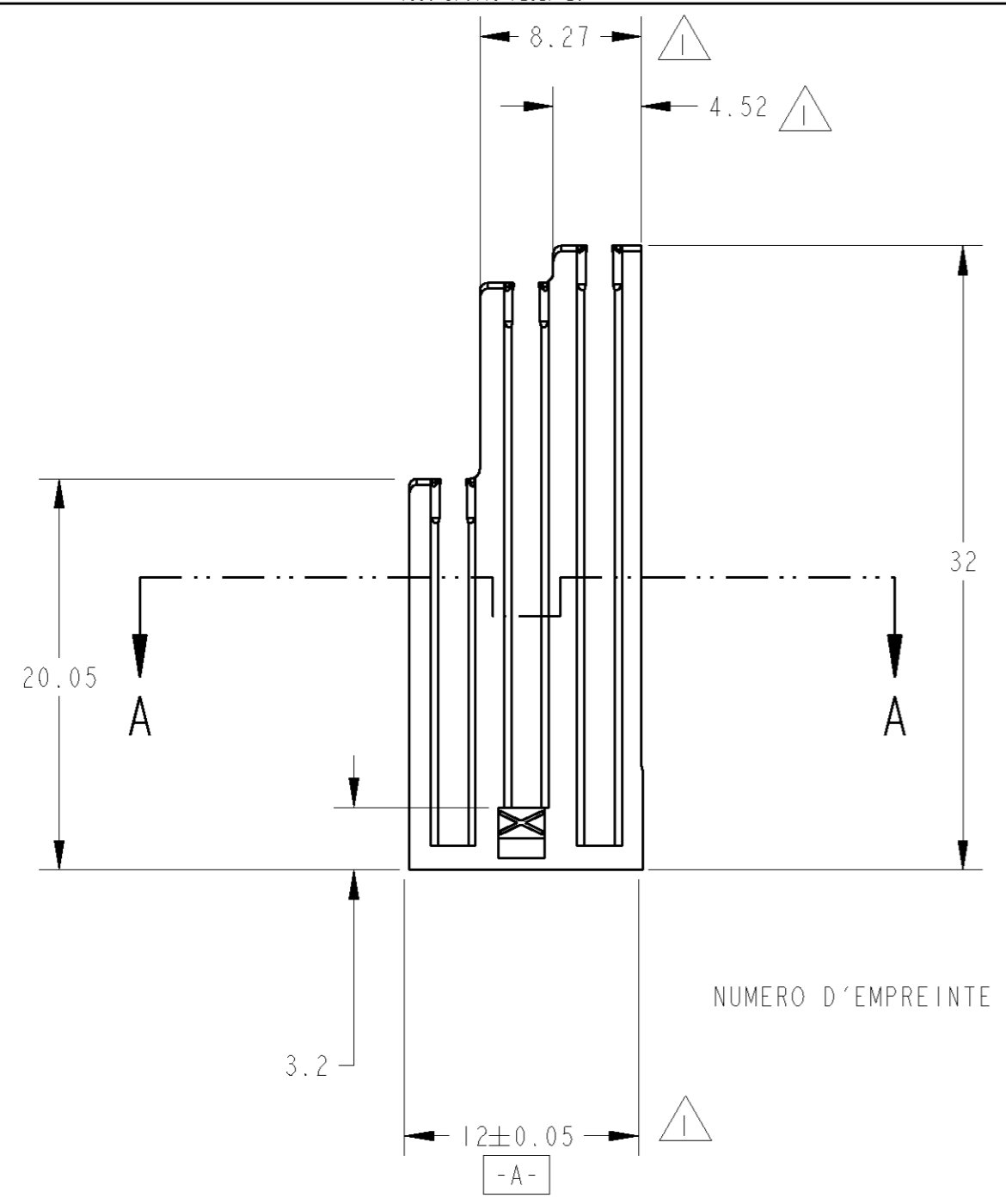
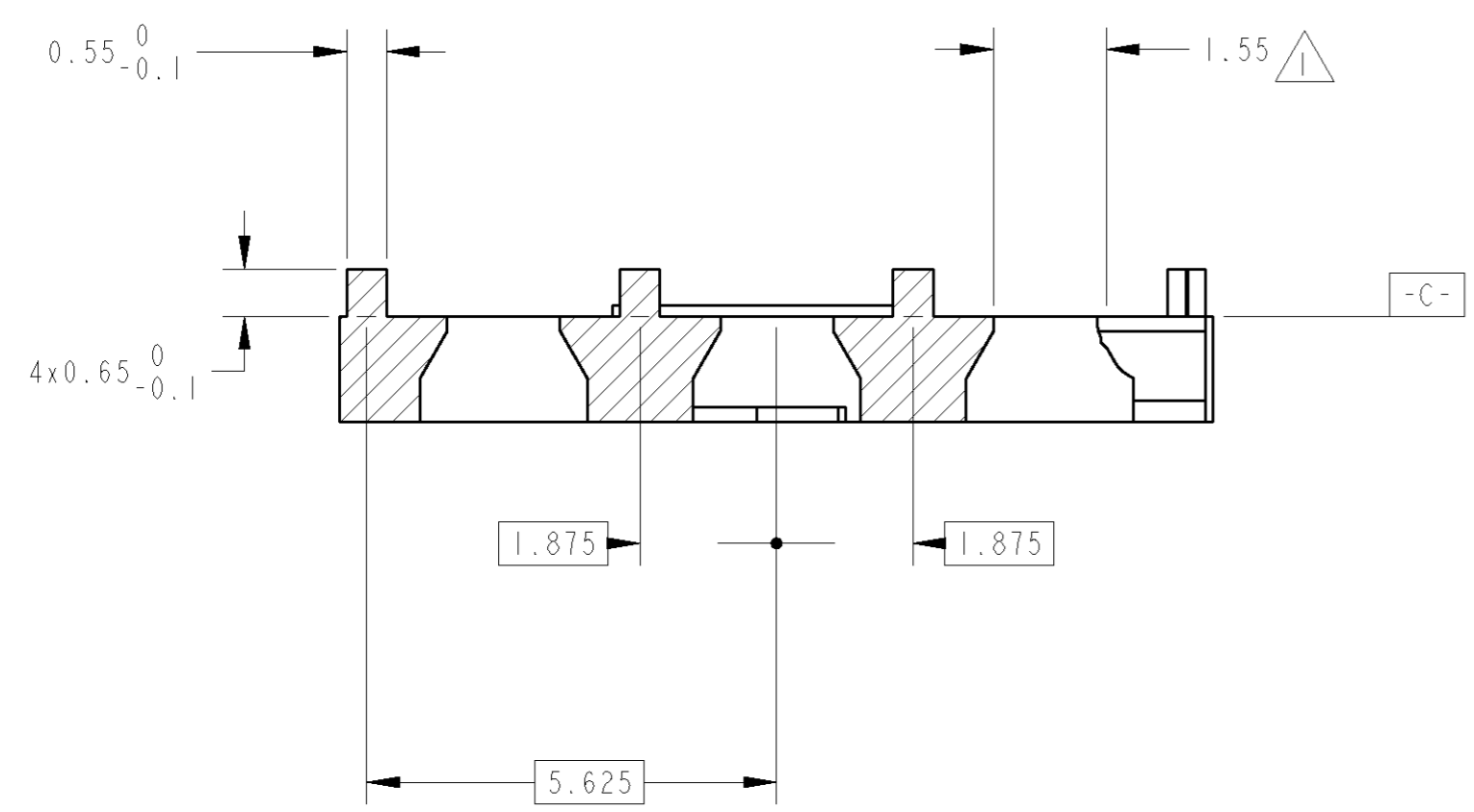


THIS DRAWING IS UNPUBLISHED. RELEASED FOR PUBLICATION
 DIFFUSION RESTREINTE. LIBRE A LA DIFFUSION
 © COPYRIGHT 19 BY AMP INCORPORATED. ALL RIGHTS RESERVED.
 TOUS DROITS RESERVES.

LOC	DIST	REVISIONS					
F	14	P	LTR	DESCRIPTION MODIFICATIONS	DATE	DWN DESS.	APVD APP.
		A		DESIGN CHANGE	21SEP 98	RB	-
		B		YELLOW WAS NATURAL	20-OCT-98	RB	
		C		12±0.05 ETAIT 12 0/-0.15	08-DEC-98	RB	
		D		DESIGN CHANGE	17-JUN-99	JPP	



SECTION A-A
 SCALE 10:1



953047-1	PA 6-50% GF	YELLOW
AMP REF.	MATERIAL	COLOR
953047-1	PA 6-50% FV	JAUNE
REF. AMP	MATIERE	COULEUR

ADMISSIBLE NIPPING 0.6 PINCEMENT ADMISSIBLE 0.6

<small>THIS DRAWING IS A CONTROLLED DOCUMENT FOR AMP INCORPORATED. IT IS SUBJECT TO CHANGE AND THE CONTROLLING ENGINEERING ORGANIZATION SHOULD BE CONTACTED FOR THE LATEST REVISION. CE PLAN EST UN DOCUMENT CONTRÔLÉ PAR AMP INCORPORATED. IL EST SUSCEPTIBLE D'ÊTRE REVISÉ. CONTACTER LE SERVICE TECHNIQUE D'AMP DE FRANCE POUR OBTENIR LA DERNIÈRE RÉVISION.</small>		DWN / DESSINE Regis BONNET 9-jan-98 CHK / VÉRIFIÉ JP. PICAUD jan-98 APVD / APPROUVE JJ REVII jan-98	NAME TITRE MT SECONDARY LOCK FOR 31 WAYS HYBRID TIMER CONNECTOR VERROU SECONDAIRE MT POUR CONNECTIQUE 31 VOIES TIMER HYBRIDE
DIMENSIONS: mm	TOLERANCES UNLESS OTHERWISE SPECIFIED: TOLERANCES NON SPECIFIÉES (SILLY NR DE DECIMALES) ± ±0.2 ± ANGLES FINISH FINITION ±5°	PRODUCT SPEC SPEC. PRODUIT 108-15172 APPLICATION SPEC SPEC. APPLICATION 411-15599	SIZE FORMAT A2 CAGE CODE 00779 DRAWING NO No PLAN C-953047
MATERIAL MATIERE SEE TABLE	FINISH FINITION SEE TABLE	WEIGHT MASSE APPROX. 0.3gr	RESTRICTED TO RESERVE A - CUSTOMER DRAWING / PLAN CLIENT UNIFORMEMENT POUR REFERENCE SCALE ECHELLE 3:1 SHEET FEUILLE OF DE REV D