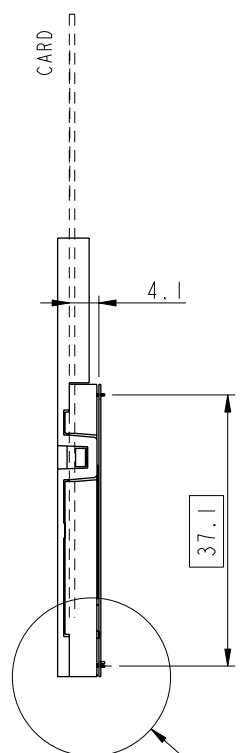
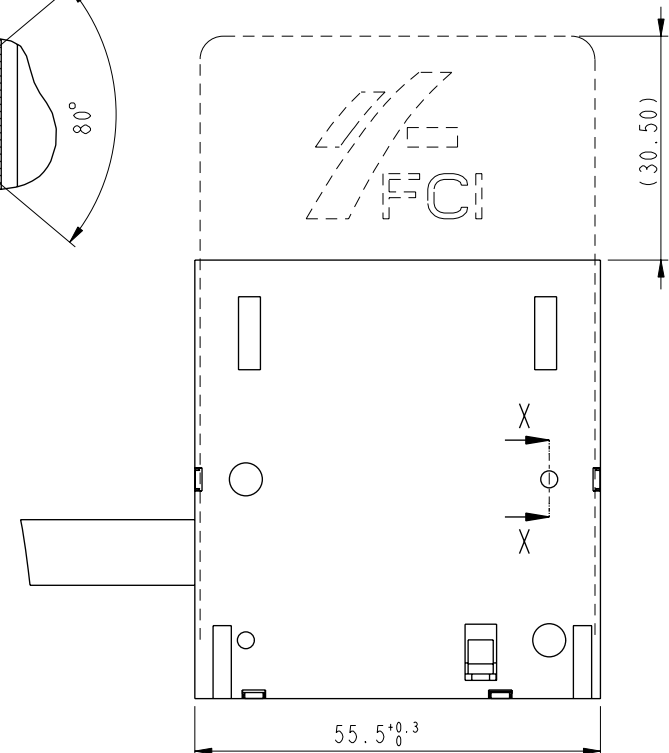
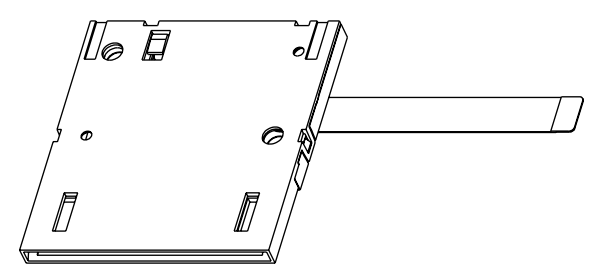
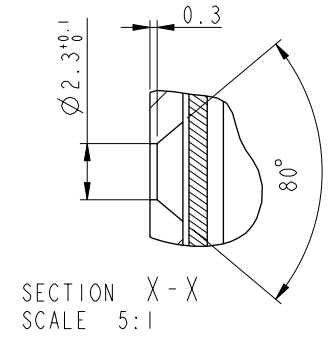


PART NUMBER	LF VERSION
7361E0515S08	7361E0515S08LF



GENERAL :
 High cycle life duration smart card connector with landing type contacts mechanism. The landing type connector also provides the feature of recessed contacts when card is not inserted which protects them against vandalism.
 Smart card for reference purposes only.

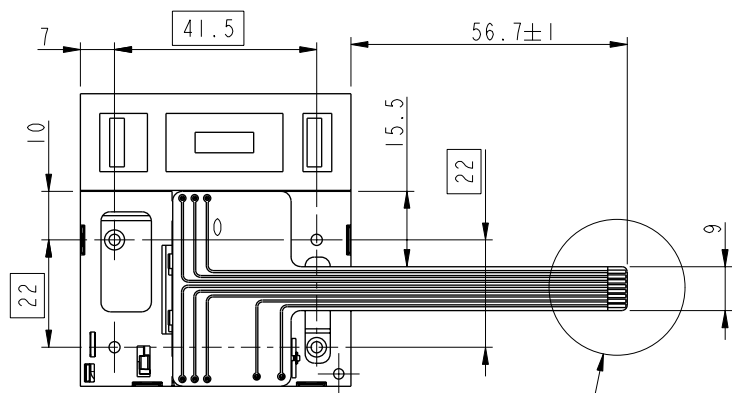
ELECTRICAL PROPERTIES:
 Insulation resistance : > 1000MΩ
 Dielectric withstanding voltage : >750 Vrms
 Current carrying capacity : Min 10μA, Max 1A
 Contact resistance : < 100mΩ

MECHANICAL PROPERTIES :
 Operating force : Insertion : F < 10N
 Withdrawal : 1 < F < 10N
 Contact Normal force : 0.2 < F < 0.3 for 0.6mm of deflection
 Durability : 200 000 mating cycles

MATERIAL :
 Head reader : PA4/6, Colour Black, Rated UL94V0
 Cover : PEI, Colour Black, Rated UL94V0
 Contacts : Copper alloy,
 Plating : 2.5μm Nickel min. all over
 2μm Gold min. on contact area
 3μm SnPb(60/40) min. on solder tails (for leaded version)
 3μm matte tin min. on solder tails (for leaded version)

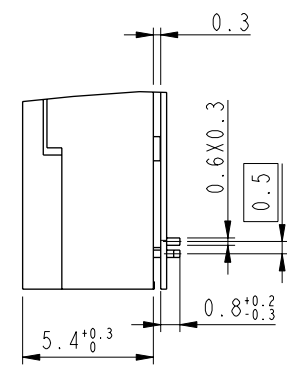
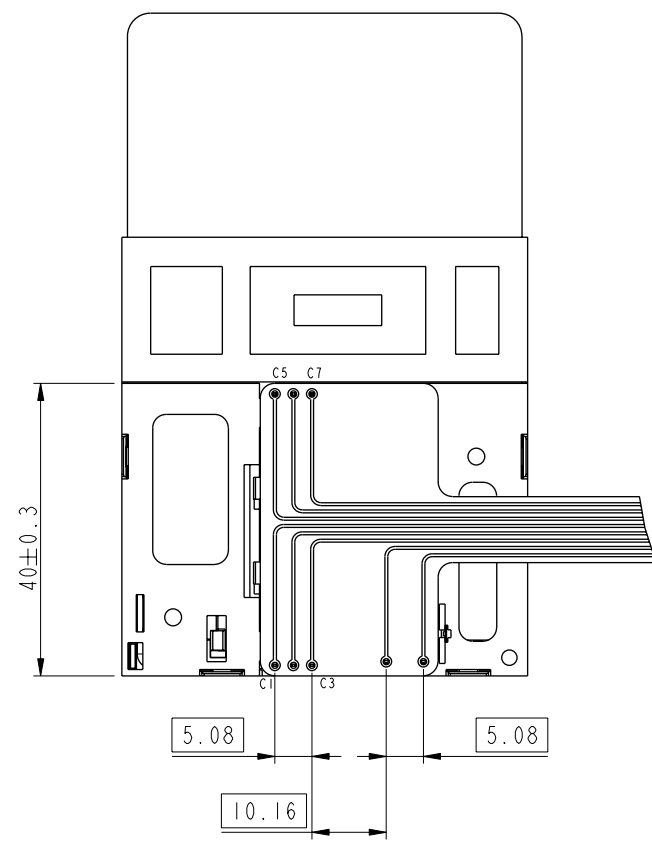
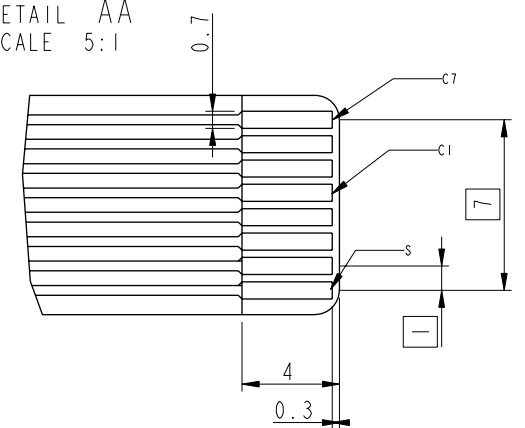
ENVIRONMENT :
 Operating temperature : -40°C / +90°C
 Climatic conditions : UTE 93-421

PACKAGING :
 Plastic cavity tray



SEE DETAIL AA

DETAIL AA SCALE 5:1



DETAIL B SCALE 5:1

LEAD FREE VERSION:
 "This product meets European Union Directives and other country regulations as described in GS-22-008"

Copyright FCI.

www.fciconnect.com		surface -- ✓	tolerance std	projection	mm
		ISO 1302	ISO 406 ISO 1101	⊕	←
		TOLERANCES UNLESS OTHERWISE SPECIFIED			
Dr	D LEGRAND	2002/04/29	ANGULAR	0.x ±	size A2
Eng	F TISSERAND	2002/04/29	LINEAR	0.xx ±	Scale 3:2
Chr	S.S.CHERIAN	2008/09/22	0° ±	0.xxx ±	ECN 108-0123
Appr	S.S.CHERIAN	2008/09/22	Product family MOBILE I/O		Spec ref
General Tolerances					
D	104-0051	DTK	2004/07/17		
E	105-0181	NT	2005/10/04		
F	106-0057	SSC	2006/05/27		
G	108-0123	SSC	2008/09/22		
FCI		E05-SIDE-FLEX 6 CTS		Rev. G	
		SMART CARD READER VXX 27787		dwg no VJW54523	
		catalog no See Table		CUSTOMER COPY sheet 1 of 1	