

SEC. A-A

△ HOUSING: PBT, 30% GLASS REINFORCED, UL94V-0, COLOR BLACK.  
 CONTACTS: PHOS. BRONZE.  
 BRACKET: ZINC ALLOY.

△ CONTACTS: GOLD PLATED (SEE TABLE) ON MATING END, 1.27µm [.000050in] MIN MATTE TIN ON TERMINATION AREA, ALL OVER 1.27µm [.000050in] MIN NICKEL ON ENTIRE CONTACT.

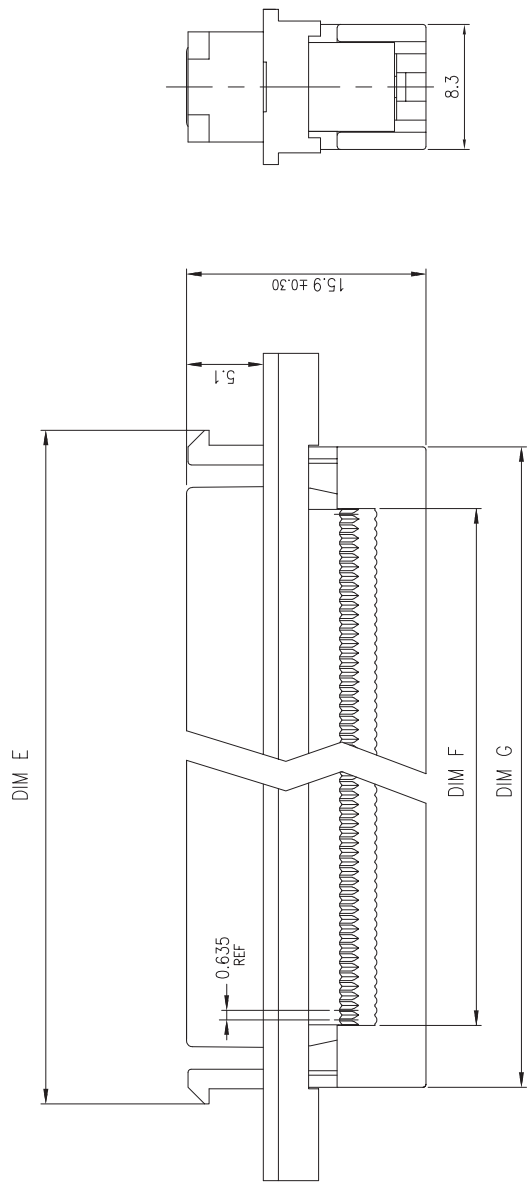
△ BRACKET: 1.27µm [.000050] MIN. NICKEL.

△ SPECIFICATIONS:

- CURRENT RATING: 1A.
- VOLTAGE RATING: 30V AC.
- INSULATION RESISTANCE: 1000 MIILOHMS MIN. AT 500V DC.
- CONTACT RESISTANCE: 55 MIILOHMS MAX.
- DIELECTRIC WITHSTANDING VOLTAGE: 250V AC FOR 1 MINUTE.
- CONTACT RETENTION FORCE: 600 gf MIN.
- TOTAL INSERTION FORCE: 4 Kgf MAX. (FORCE DEPENDENT ON MATING CONNECTOR)
- TOTAL WITHDRAWAL FORCE: 1.5 Kgf MAX. (FORCE DEPENDENT ON MATING CONNECTOR)
- WIRE COVER RETENTION FORCE: 6 Kgf MIN.
- OPERATION TEMPERATURE: -55°C TO 85°C.

△ FOR USE WITH 30 & 32 AWG FLAT RIBBON CABLE.  
 SELECTION OF COMPATIBLE RIBBON CABLE AND APPLICATION TOOLING FOR USE WITH THIS PRODUCT IS THE RESPONSIBILITY OF THE USER.

△ TYCO LOGO LOCATED ON THIS SURFACE.  
 6. SPECIFICATIONS SUBJECT TO CHANGE WITHOUT NOTICE.  
 CONTACT TYCO ELECTRONICS FOR THE LATEST SPECIFICATIONS.  
 7. PACKAGED IN TRAYS.



DIM	G	DIM	F	DIM	E	DIM	D	DIM	C	DIM	B	DIM	A	CONTACT FINISH	NO OF POS	PART NUMBER
51.5	43.30	53.70	63.90	57.93	46.20	41.91	0.03µm	[.000001in]	68	2-5390399-7						
40.07	31.87	42.27	52.47	46.50	34.77	30.48	0.03µm	[.000001in]	50	2-5390399-5						
51.5	43.30	53.70	63.90	57.93	46.20	41.91	0.38µm	[.000015in]	68	1-5390399-7						
40.07	31.87	42.27	52.47	46.50	34.77	30.48	0.38µm	[.000015in]	50	1-5390399-5						
51.5	43.30	53.70	63.90	57.93	46.20	41.91	0.76µm	[.000030in]	68	5390399-7						
40.07	31.87	42.27	52.47	46.50	34.77	30.48	0.76µm	[.000030in]	50	5390399-5						

THIS DRAWING IS A CONTROLLED DOCUMENT.

TYCO ELECTRONICS CORPORATION  
 HARRISBURG, PA 17105-3608

RECEIPTABLE ASSY, LATCHES.  
 0.64", 1.97" CENTERLINE.  
 1.27" (0.050) SERIES

DATE: 06/17/02  
 DRAWN BY: JRP/SS  
 CHECKED BY: JRP/SS  
 APPROVED BY: JRP/SS

TYCO ELECTRONICS CORPORATION  
 HARRISBURG, PA 17105-3608

100779-5390399

CUSTOMER DRAWING

FIG 1:1