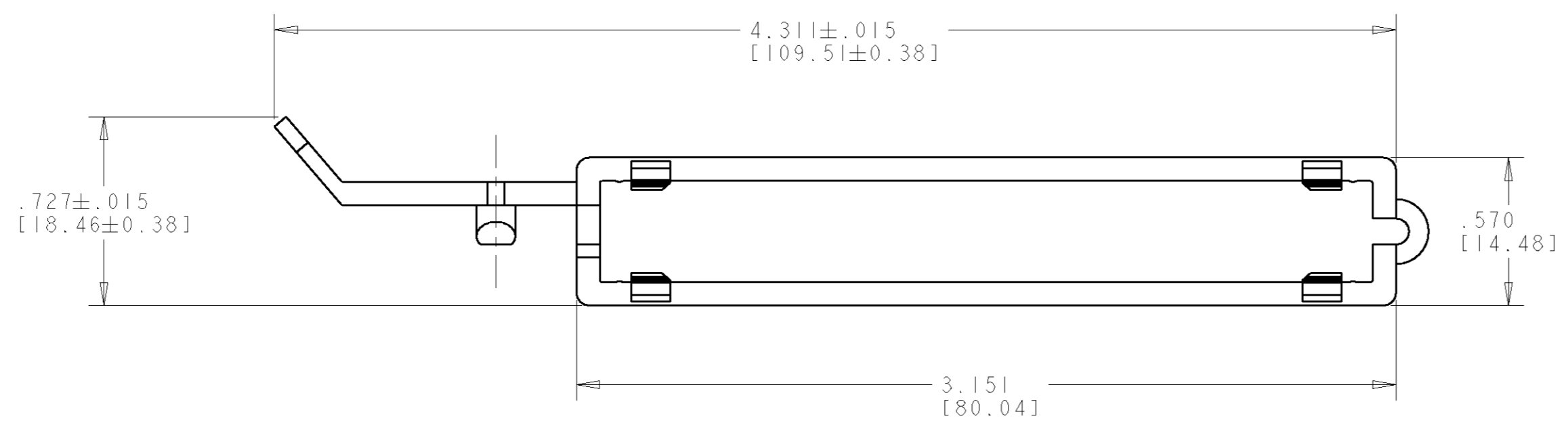


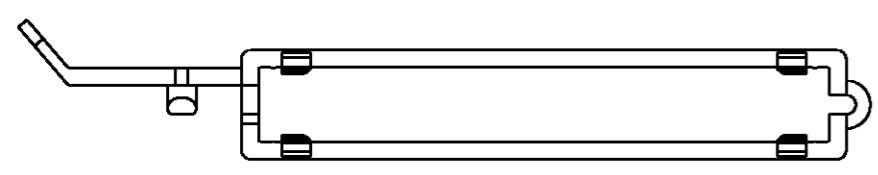
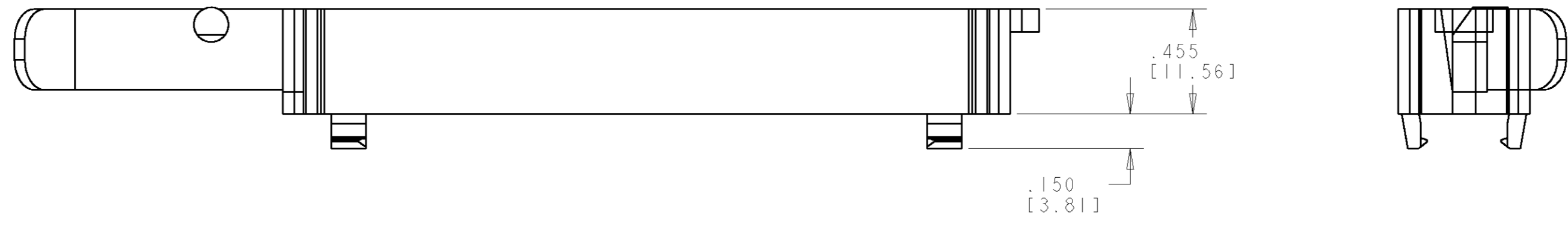
THIS DRAWING IS UNPUBLISHED. RELEASED FOR PUBLICATION 20
 © COPYRIGHT 20 BY TYCO ELECTRONICS CORPORATION. ALL RIGHTS RESERVED.

LOC	DIST	REVISIONS			
P	LTR	DESCRIPTION	DATE	DWN	APVD
	B	REVISE ECR-06-000592	11JAN06	LZ	SY
	B1	REVISED PER ECO-10-000445	11JAN10	KK	AEG

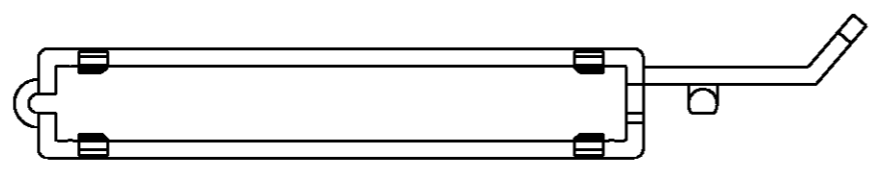


NOTE:

1 OBSOLETE PARTS: OBSOLETE CIS STREAMLINING PER D.RENAUD/D.SINISI



LEFT RETAINER
1364327-1 & -3
DETAIL A



RIGHT RETAINER
1364327-2
DETAIL B

1 OBSOLETE

REACTIVE	SEE DETAIL A	GREEN ABS	1364327-3
REACTIVE	SEE DETAIL B	BLACK ABS	1364327-2
REACTIVE	SEE DETAIL A	BLACK ABS	1364327-1
	TYPE	MATERIAL	PART NUMBER

DIMENSIONS:		TOLERANCES UNLESS OTHERWISE SPECIFIED:		DWN	Tyco Electronics	
INCHES [mm]		0 PLC	±	J. GERACE	06NOV00	SH/CN GuiPingRD 668#
		1 PLC	±0.1	CHK	M. BOWERS	
		2 PLC	±0.01	APVD	D. SUMMERS	
		3 PLC	±0.005	PRODUCT SPEC		
		4 PLC	±0.0001	APPLICATION SPEC		
		ANGLES	±	WEIGHT		
		FINISH				
SEE TABLE				CUSTOMER DRAWING		