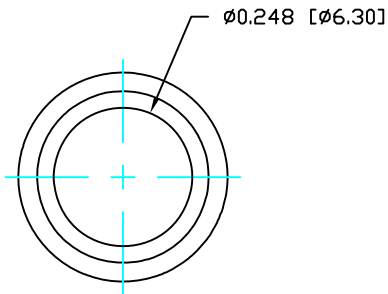
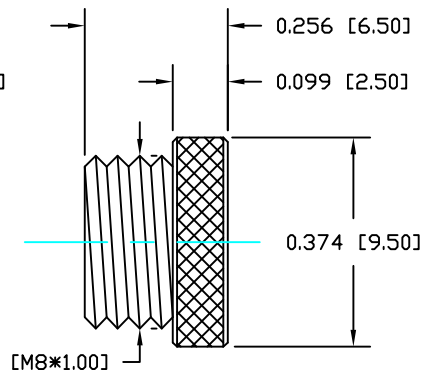


DESCRIPTION: M8 MALE - CABLE MOUNT - SOLDER CUP - 5 POS.



NUT



NOTE:

MATERIAL

HOUSING: PBT UL94V-0, BLACK
 CONTACT: BRASS
 NUT: BRASS
 SHELL: BRASS

FINISH

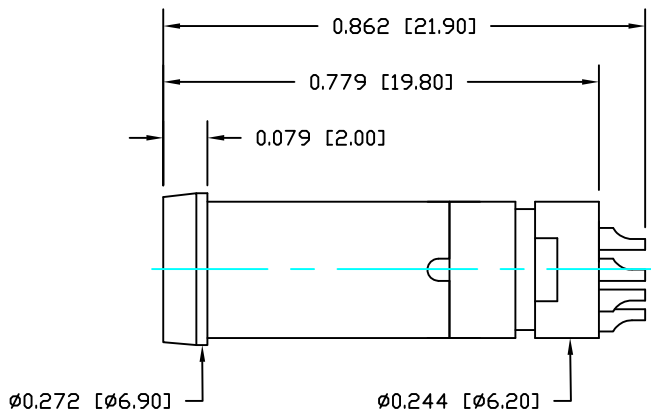
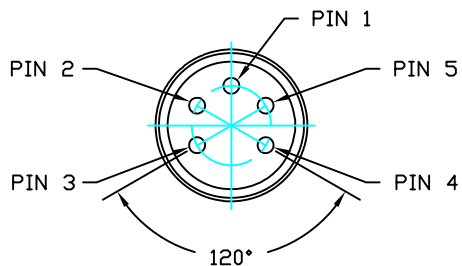
CONTACT: GOLD PLATED
 OVER 50μ" NICKEL
 SHELL: NICKEL PLATED
 NUT: NICKEL PLATED

ELECTRICAL

RATED CURRENT: 3A
 RATED VOLTAGE: 125V
 INSULATION RESISTANCE: 1000 MΩhms MIN.
 CONTACT RESISTANCE: 10 mΩhms MAX.
 WATER PROOF: IP67

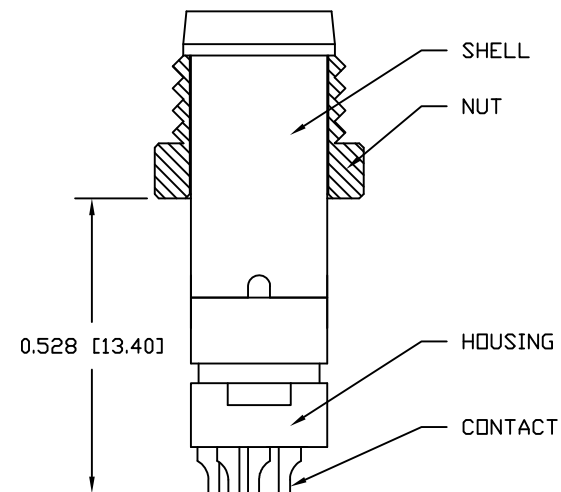
ENVIRONMENT

OPERATION TEMPERATURE: -40°C TO +85°C
 WIRE GAUGE: 24-28 AWG



854-005-103RLSY

1 = GOLD FLASH
 4 = 10μ" GOLD



RoHS COMPLIANT

DO NOT SCALE FROM DRAWING



THESE DRAWINGS AND SPECIFICATIONS ARE THE PROPERTY OF NorComp AND SHALL NOT BE REPRODUCED, COPIED OR USED AS THE BASIS FOR THE MANUFACTURE OR SALE OF APPARATUS WITHOUT WRITTEN PERMISSION.

DRAWN: M. SIGMON

DATE: 03-04-16

CHECKED:

DATE:

NorComp

SCALE: N.T.S.

SHEET 1 OF 1

REV 2

DWG NO. 854-005-103RLSY