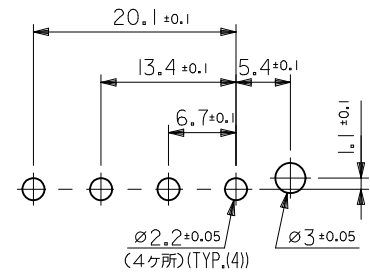
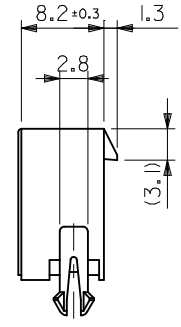
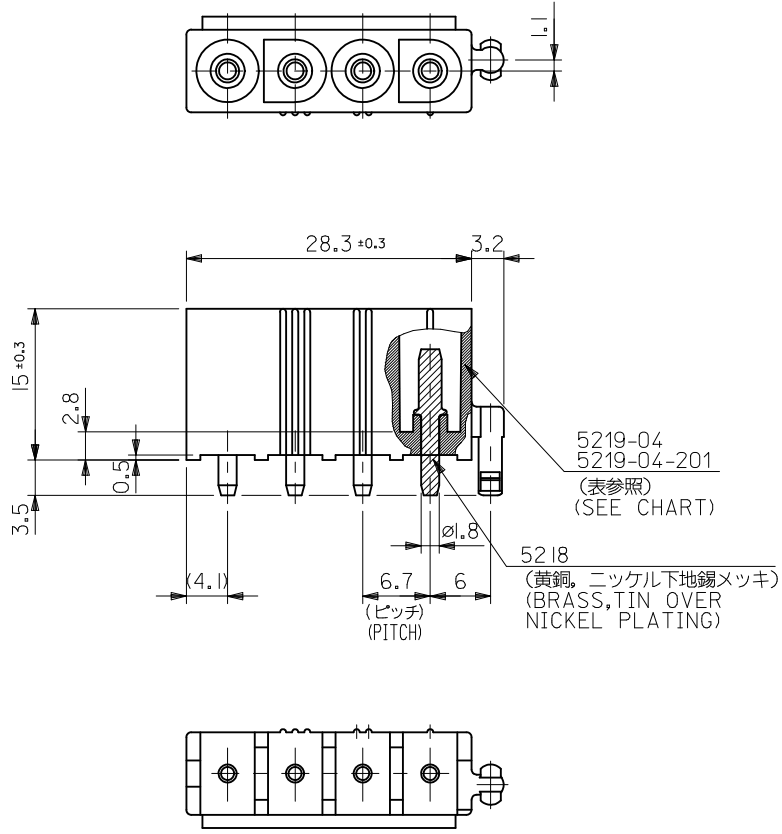


注記:
NOTES:

1. 適合リセプタクルハウジング: 3191-04R*
TO BE MATED WITH RECEPTACLE HOUSING :
3191-04R*
2. ASSEMBLIES MAY CONTAIN SOLID OR SWAGED (HOLLOW) PINS.

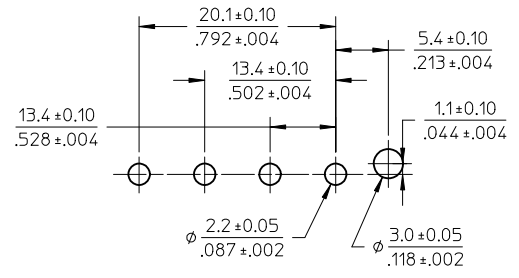
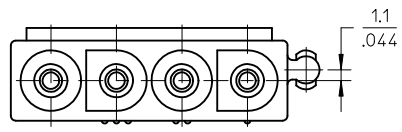


基板取付穴推奨寸法
RECOMMENDED P.C. BOARD HOLE DIMENSIONS

5219-04A-201	39-28-7048	NYLON66,94V-0
5219-04A	15-31-1046	NYLON66,94V-2
ENG. NO.	EDP NO.	ハウジングの材質 MATERIAL

ADD NOTE 2 EC NO: UCP2012-0046 DRWN: AELHAG 2011/07/08 CHKD: JBELL 2011/07/15 APPR: FSMITH 2011/09/02	GENERAL TOLERANCES (UNLESS SPECIFIED)		DIMENSION STYLE MM ONLY		SCALE 2:1	DESIGN UNITS METRIC	THIRD ANGLE PROJECTION
	10 UNDER	± 0.2	DRAWN BY K. KOHAMA	DATE '00/05/29	TITLE NEW INTERNATIONAL CONN 4 POS. HEADER		
	10 OVER 30 UNDER	± 0.25	CHECKED BY M. FUKUSHIMA	DATE '00/05/29			
	30 OVER	± 0.3	APPROVED BY M. FUKUSHIMA	DATE '00/05/29	MOLEX INCORPORATED		
ANGULAR ± 3 °		MATERIAL NO.	DOCUMENT NO.	SHEET NO.			
DRAFT WHERE APPLICABLE MUST REMAIN WITHIN DIMENSIONS		SEE CHART		SD-5219-003		1 OF 1	
THIS DRAWING CONTAINS INFORMATION THAT IS PROPRIETARY TO MOLEX INCORPORATED AND SHOULD NOT BE USED WITHOUT WRITTEN PERMISSION							

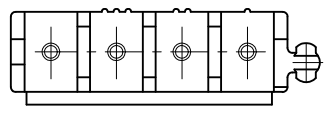
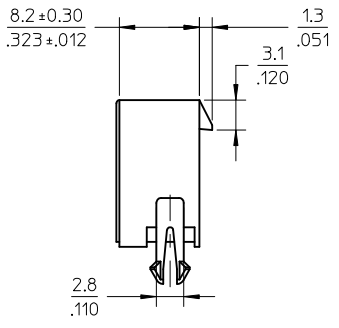
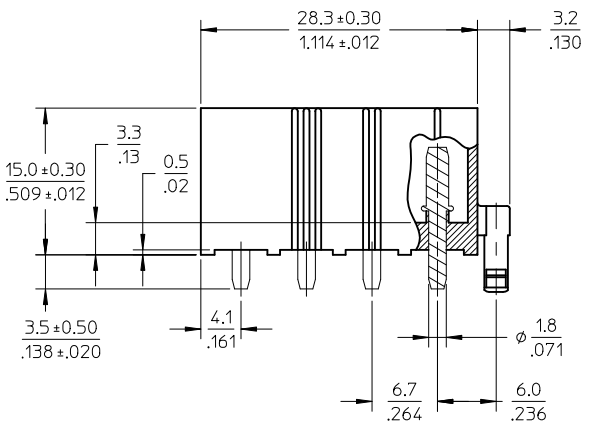
CIRCUITS	EDP NO.	ENGINEERING NO.
4	15-31-1046	5219-04A



RECOMMENDED P.C.B. HOLE DIM.

NOTES:

- 1) MATERIAL:
HOUSING: NYLON 6/6, UL94V-2, COLOR: NATURAL
TERMINAL: C2700W BRASS
- 2) FINISH: 0.000003/(.0000001) MIN. TIN OVERALL OVER
0.000001/(.00000004) MIN. NICKEL OVERALL
- 3) PRODUCT SPECIFICATION: NONE
- 4) PACKAGING: NONE
- 5) MATES WITH: 3191-04R SERIES
- 6) PARTS CONFORM TO CLASS 'B' REQUIREMENTS OF COSMETIC SPECIFICATION PS-45499-002.
- 7) ASSEMBLIES MAY CONTAIN SOLID OR SWAGED (HOLLOW) PINS.



ADD NOTE 7 EC NO: UCP2012-0046 DRW: AELHAG 2011/07/08 CHKD: JBELL 2011/07/15 APPR: FSMTH 2011/09/02 K2	QUALITY SYMBOLS ▽=0 ▽=0	GENERAL TOLERANCES (UNLESS SPECIFIED)		DIMENSION STYLE IN/MM		SCALE 2:1	DESIGN UNITS METRIC	THIRD ANGLE PROJECTION		
		mm		INCH		DRAWN BY A.ASO	DATE 1979/04/08	TITLE NEW INTERNATIONAL CONN. HEADER AND ASSY		
		4 PLACES ± --- ± ---		3 PLACES ± --- ± .005		CHECKED BY MENOMOTO	DATE 1979/04/10			
		2 PLACES ± 0.13 ± .010		1 PLACE ± 0.25 ± ---		APPROVED BY		MATERIAL NO. 15-31-1046		DOCUMENT NO. SD-5219-04A*
ANGULAR ± 1 °		DRAFT WHERE APPLICABLE MUST REMAIN WITHIN DIMENSIONS		SIZE B		THIS DRAWING CONTAINS INFORMATION THAT IS PROPRIETARY TO MOLEX INCORPORATED AND SHOULD NOT BE USED WITHOUT WRITTEN PERMISSION				