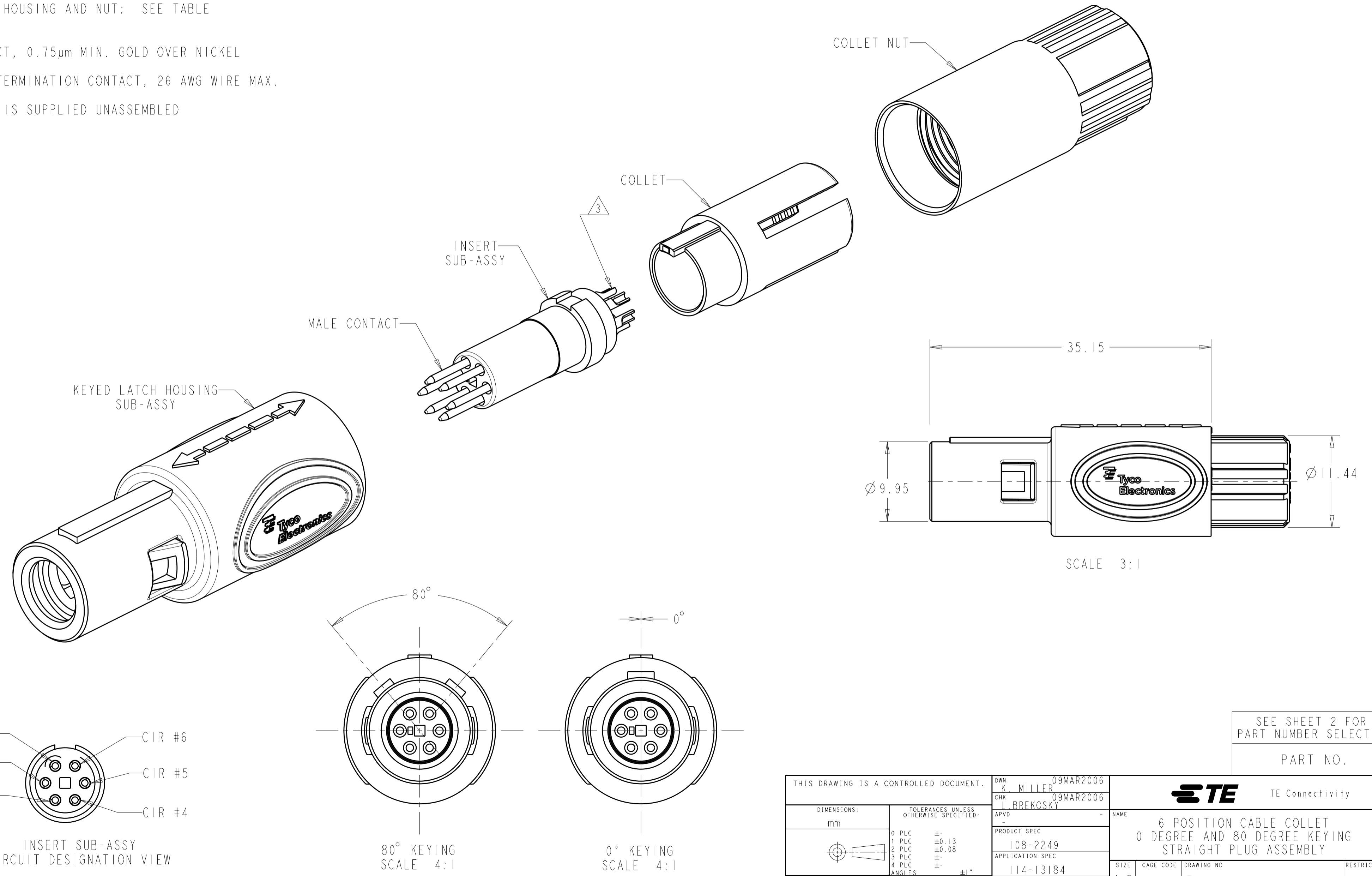


THIS DRAWING IS UNPUBLISHED. RELEASED FOR PUBLICATION 20  
 © COPYRIGHT 20 BY - ALL RIGHTS RESERVED.

LOC	DIST	REVISIONS			
P	LTR	DESCRIPTION	DATE	DWN	APVD
AD	00	B3	REVISED PER ECO-11-005027	12MAR2011	RK HMR

- 1 MATERIAL:  
 CONTACT: BRASS  
 LATCH HOUSING, INSERT, COLLET, COLLET NUT:  
 UL 94V-0 RATED THERMOPLASTIC  
 COLOR:  
 COLLET AND INSERT: GRAY  
 LATCH HOUSING AND NUT: SEE TABLE
- 2 FINISH:  
 CONTACT, 0.75µm MIN. GOLD OVER NICKEL
- 3 SOLDER TERMINATION CONTACT, 26 AWG WIRE MAX.
- 4. PRODUCT IS SUPPLIED UNASSEMBLED



SCALE 3:1

SEE SHEET 2 FOR PART NUMBER SELECTION

PART NO.

THIS DRAWING IS A CONTROLLED DOCUMENT.		DWN K. MILLER 09MAR2006	TE Connectivity
DIMENSIONS: mm		CHK L. BREKOSKY 09MAR2006	
TOLERANCES UNLESS OTHERWISE SPECIFIED:		APVD -	NAME 6 POSITION CABLE COLLET 0 DEGREE AND 80 DEGREE KEYING STRAIGHT PLUG ASSEMBLY
0 PLC ± 1 PLC ±0.13 2 PLC ±0.08 3 PLC ± 4 PLC ±		PRODUCT SPEC 108-2249	SIZE A2
MATERIAL		APPLICATION SPEC 114-13184	CAGE CODE 00779
ANGLES ±1° FINISH		WEIGHT -	DRAWING NO C-1877846
1		CUSTOMER DRAWING	
2		SCALE 4:1	
		SHEET 1 OF 3	
		REV B3	

THIS DRAWING IS UNPUBLISHED. RELEASED FOR PUBLICATION 20  
 © COPYRIGHT 20 BY - ALL RIGHTS RESERVED.

LOC	DIST	REVISIONS					
AD	00	P	LTR	DESCRIPTION	DATE	DWN	APVD
		-		SEE SHEET 1			

∅ 2.7-∅ 3.9	BLUE	GRAY	80°	7-1877846-2
∅ 4.0-∅ 5.2	BLUE	GRAY	80°	7-1877846-1
∅ 5.3-∅ 6.5	BLUE	GRAY	80°	7-1877846-0
∅ 2.7-∅ 3.9	BLUE	GRAY	0°	6-1877846-9
∅ 4.0-∅ 5.2	BLUE	GRAY	0°	6-1877846-8
∅ 5.3-∅ 6.5	BLUE	GRAY	0°	6-1877846-7
∅ 2.7-∅ 3.9	BLUE	BLACK	80°	6-1877846-6
∅ 4.0-∅ 5.2	BLUE	BLACK	80°	6-1877846-5
∅ 5.3-∅ 6.5	BLUE	BLACK	80°	6-1877846-4
∅ 2.7-∅ 3.9	BLUE	BLACK	0°	6-1877846-3
∅ 4.0-∅ 5.2	BLUE	BLACK	0°	6-1877846-2
∅ 5.3-∅ 6.5	BLUE	BLACK	0°	6-1877846-1
∅ 2.7-∅ 3.9	GREEN	GRAY	80°	6-1877846-0
∅ 4.0-∅ 5.2	GREEN	GRAY	80°	5-1877846-9
∅ 5.3-∅ 6.5	GREEN	GRAY	80°	5-1877846-8
∅ 2.7-∅ 3.9	GREEN	GRAY	0°	5-1877846-7
∅ 4.0-∅ 5.2	GREEN	GRAY	0°	5-1877846-6
∅ 5.3-∅ 6.5	GREEN	GRAY	0°	5-1877846-5
∅ 2.7-∅ 3.9	GREEN	BLACK	80°	5-1877846-4
∅ 4.0-∅ 5.2	GREEN	BLACK	80°	5-1877846-3
∅ 5.3-∅ 6.5	GREEN	BLACK	80°	5-1877846-2
∅ 2.7-∅ 3.9	GREEN	BLACK	0°	5-1877846-1
∅ 4.0-∅ 5.2	GREEN	BLACK	0°	5-1877846-0
∅ 5.3-∅ 6.5	GREEN	BLACK	0°	4-1877846-9
∅ 2.7-∅ 3.9	YELLOW	GRAY	80°	4-1877846-8
∅ 4.0-∅ 5.2	YELLOW	GRAY	80°	4-1877846-7
∅ 5.3-∅ 6.5	YELLOW	GRAY	80°	4-1877846-6
∅ 2.7-∅ 3.9	YELLOW	GRAY	0°	4-1877846-5
∅ 4.0-∅ 5.2	YELLOW	GRAY	0°	4-1877846-4
∅ 5.3-∅ 6.5	YELLOW	GRAY	0°	4-1877846-3
∅ 2.7-∅ 3.9	YELLOW	BLACK	80°	4-1877846-2
∅ 4.0-∅ 5.2	YELLOW	BLACK	80°	4-1877846-1
∅ 5.3-∅ 6.5	YELLOW	BLACK	80°	4-1877846-0
∅ 2.7-∅ 3.9	YELLOW	BLACK	0°	3-1877846-9
∅ 4.0-∅ 5.2	YELLOW	BLACK	0°	3-1877846-8
∅ 5.3-∅ 6.5	YELLOW	BLACK	0°	3-1877846-7
CABLE RANGE	COLLET NUT COLOR	LATCH HOUSING COLOR	KEYING	PART NO.
PART NUMBERS 37 THRU 72				

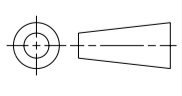
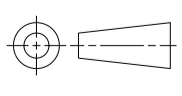
∅ 2.7-∅ 3.9	WHITE	GRAY	80°	3-1877846-6
∅ 4.0-∅ 5.2	WHITE	GRAY	80°	3-1877846-5
∅ 5.3-∅ 6.5	WHITE	GRAY	80°	3-1877846-4
∅ 2.7-∅ 3.9	WHITE	GRAY	0°	3-1877846-3
∅ 4.0-∅ 5.2	WHITE	GRAY	0°	3-1877846-2
∅ 5.3-∅ 6.5	WHITE	GRAY	0°	3-1877846-1
∅ 2.7-∅ 3.9	WHITE	BLACK	80°	3-1877846-0
∅ 4.0-∅ 5.2	WHITE	BLACK	80°	2-1877846-9
∅ 5.3-∅ 6.5	WHITE	BLACK	80°	2-1877846-8
∅ 2.7-∅ 3.9	WHITE	BLACK	0°	2-1877846-7
∅ 4.0-∅ 5.2	WHITE	BLACK	0°	2-1877846-6
∅ 5.3-∅ 6.5	WHITE	BLACK	0°	2-1877846-5
∅ 2.7-∅ 3.9	RED	GRAY	80°	2-1877846-4
∅ 4.0-∅ 5.2	RED	GRAY	80°	2-1877846-3
∅ 5.3-∅ 6.5	RED	GRAY	80°	2-1877846-2
∅ 2.7-∅ 3.9	RED	GRAY	0°	2-1877846-1
∅ 4.0-∅ 5.2	RED	GRAY	0°	2-1877846-0
∅ 5.3-∅ 6.5	RED	GRAY	0°	1-1877846-9
∅ 2.7-∅ 3.9	RED	BLACK	80°	1-1877846-8
∅ 4.0-∅ 5.2	RED	BLACK	80°	1-1877846-7
∅ 5.3-∅ 6.5	RED	BLACK	80°	1-1877846-6
∅ 2.7-∅ 3.9	RED	BLACK	0°	1-1877846-5
∅ 4.0-∅ 5.2	RED	BLACK	0°	1-1877846-4
∅ 5.3-∅ 6.5	RED	BLACK	0°	1-1877846-3
∅ 2.7-∅ 3.9	GRAY	GRAY	80°	1-1877846-2
∅ 4.0-∅ 5.2	GRAY	GRAY	80°	1-1877846-1
∅ 5.3-∅ 6.5	GRAY	GRAY	80°	1-1877846-0
∅ 2.7-∅ 3.9	GRAY	GRAY	0°	1877846-9
∅ 4.0-∅ 5.2	GRAY	GRAY	0°	1877846-8
∅ 5.3-∅ 6.5	GRAY	GRAY	0°	1877846-7
∅ 2.7-∅ 3.9	BLACK	BLACK	80°	1877846-6
∅ 4.0-∅ 5.2	BLACK	BLACK	80°	1877846-5
∅ 5.3-∅ 6.5	BLACK	BLACK	80°	1877846-4
∅ 2.7-∅ 3.9	BLACK	BLACK	0°	1877846-3
∅ 4.0-∅ 5.2	BLACK	BLACK	0°	1877846-2
∅ 5.3-∅ 6.5	BLACK	BLACK	0°	1877846-1
CABLE RANGE	COLLET NUT COLOR	LATCH HOUSING COLOR	KEYING	PART NO.
PART NUMBERS 1 THRU 36				

THIS DRAWING IS A CONTROLLED DOCUMENT.		DWN K. MILLER 09MAR2006	<b>STE</b> TE Connectivity	
		CHK L. BREKOSKY 09MAR2006		
DIMENSIONS: mm		TOLERANCES UNLESS OTHERWISE SPECIFIED: 0 PLC ± 1 PLC ±0.13 2 PLC ±0.08 3 PLC ± 4 PLC ± ANGLES ±1° FINISH		APVD -
		PRODUCT SPEC 108-2249		NAME 6 POSITION CABLE COLLET 0 DEGREE AND 80 DEGREE KEYING STRAIGHT PLUG ASSEMBLY
		APPLICATION SPEC 114-13184		SIZE A2
MATERIAL		WEIGHT		CAGE CODE 00779
		CUSTOMER DRAWING		DRAWING NO 1877846
		SCALE 4:1		RESTRICTED TO -
		SHEET 2 OF 3		REV B3

THIS DRAWING IS UNPUBLISHED. RELEASED FOR PUBLICATION 20  
 © COPYRIGHT 20 BY - ALL RIGHTS RESERVED.

LOC	DIST	REVISIONS					
		P	LTR	DESCRIPTION	DATE	DWN	APVD
AD	00	-		SEE SHEET 1	-	-	-

Ø 2.7-Ø 3.9	BLACK	GRAY	80°	8-1877846-4
Ø 4.0-Ø 5.2	BLACK	GRAY	80°	8-1877846-3
Ø 5.3-Ø 6.5	BLACK	GRAY	80°	8-1877846-2
Ø 2.7-Ø 3.9	BLACK	GRAY	0°	8-1877846-1
Ø 4.0-Ø 5.2	BLACK	GRAY	0°	8-1877846-0
Ø 5.3-Ø 6.5	BLACK	GRAY	0°	7-1877846-9
Ø 2.7-Ø 3.9	GRAY	BLACK	80°	7-1877846-8
Ø 4.0-Ø 5.2	GRAY	BLACK	80°	7-1877846-7
Ø 5.3-Ø 6.5	GRAY	BLACK	80°	7-1877846-6
Ø 2.7-Ø 3.9	GRAY	BLACK	0°	7-1877846-5
Ø 4.0-Ø 5.2	GRAY	BLACK	0°	7-1877846-4
Ø 5.3-Ø 6.5	GRAY	BLACK	0°	7-1877846-3
CABLE RANGE	BACK-NUT COLOR	LATCH HOUSING COLOR	KEYING	PART NO.
<b>PART NUMBERS 73 THRU 84</b>				

THIS DRAWING IS A CONTROLLED DOCUMENT.		DWN K. MILLER 09MAR2006	 TE Connectivity	
		CHK L. BREKOSKY 09MAR2006		
DIMENSIONS: mm	TOLERANCES UNLESS OTHERWISE SPECIFIED:	APVD -	NAME 6 POSITION CABLE COLLET 0 DEGREE AND 80 DEGREE KEYING STRAIGHT PLUG ASSEMBLY	
	0 PLC ± 1 PLC ±0.13 2 PLC ±0.08 3 PLC ± 4 PLC ±	PRODUCT SPEC 108-2249	SIZE A2	CAGE CODE 00779
MATERIAL	FINISH	APPLICATION SPEC 114-13184	DRAWING NO 1877846	RESTRICTED TO -
		WEIGHT -	SCALE 4:1 SHEET 3 OF 3 REV B3	
		CUSTOMER DRAWING		