

10

9

8

7

5

4

3

2

79576

MATERIAL #	APPLICATION	AWG	LENGTH(M)	TOL(+/-)	PIN OUT
79576-3000	IPASS ON BP	30	0.152	0.015	PIN OUT 1
79576-3001	IPASS ON BP	30	0.3	0.015	PIN OUT 1
79576-3002	IPASS ON BP	30	0.5	0.015	PIN OUT 1
79576-3006	IPASS ON BP	30	0.6	0.015	PIN OUT 1
79576-3007	IPASS ON BP	28	1	0.030	PIN OUT 1
79576-3008	IPASS ON CTRL	30	0.152	0.015	PIN OUT 2
79576-3009	IPASS ON CTRL	30	0.3	0.015	PIN OUT 2
79576-3003	IPASS ON CTRL	30	0.5	0.015	PIN OUT 2
79576-3004	IPASS ON CTRL	30	0.6	0.015	PIN OUT 2
79576-3005	IPASS ON CTRL	28	1	0.030	PIN OUT 2
79576-3010	IPASS ON CTRL	28	0.178	0.015	PIN OUT 2
79576-3011	IPASS ON CTRL	28	0.267	0.015	PIN OUT 2
79576-3012	IPASS ON BP	30	0.2	0.015	PIN OUT 1

## NOTES:

## 1. MATERIAL:

OVER MOLD - POLYBUTYLENE TEREPHTHALATE (PBT), 94-V0,  
GLASS FILLED 30%.

LATCH - STAINLESS STEEL ALLOY.

## CABLE -

SIGNALS PVC INSULATION

SOLID COPPER SIGNAL AND DRAIN.

INNER DIELECTRIC IS POLYOLEFIN

TWIN-AX SHIELD IS ALUMINIZED POLYESTER FOIL.

## PCB - FR4

## 2. PRODUCT TO PERFORM PER

PRODUCT SPECIFICATION: PS-79536-001.

3. PRODUCT SERIES 74562 MATES TO 75783 (RIGHT ANGLE),  
75784 (VERTICAL).4. THIS PRODUCT CONFORMS TO THE MECHANICAL  
DIMENSIONING AND ELECTRICAL PERFORMANCE  
REQUIREMENTS OF SFF-8086 AND SFF-8087.

## 5. MINIMUM RECOMMENDED BEND RADIUS 28 MM.

## 6. PIN OUT CONFORMS TO SAS 1.1 9.00

SECTION 5.2.4.1.3.3 F83

## 7. PRODUCT IS RoHS COMPLIANT.

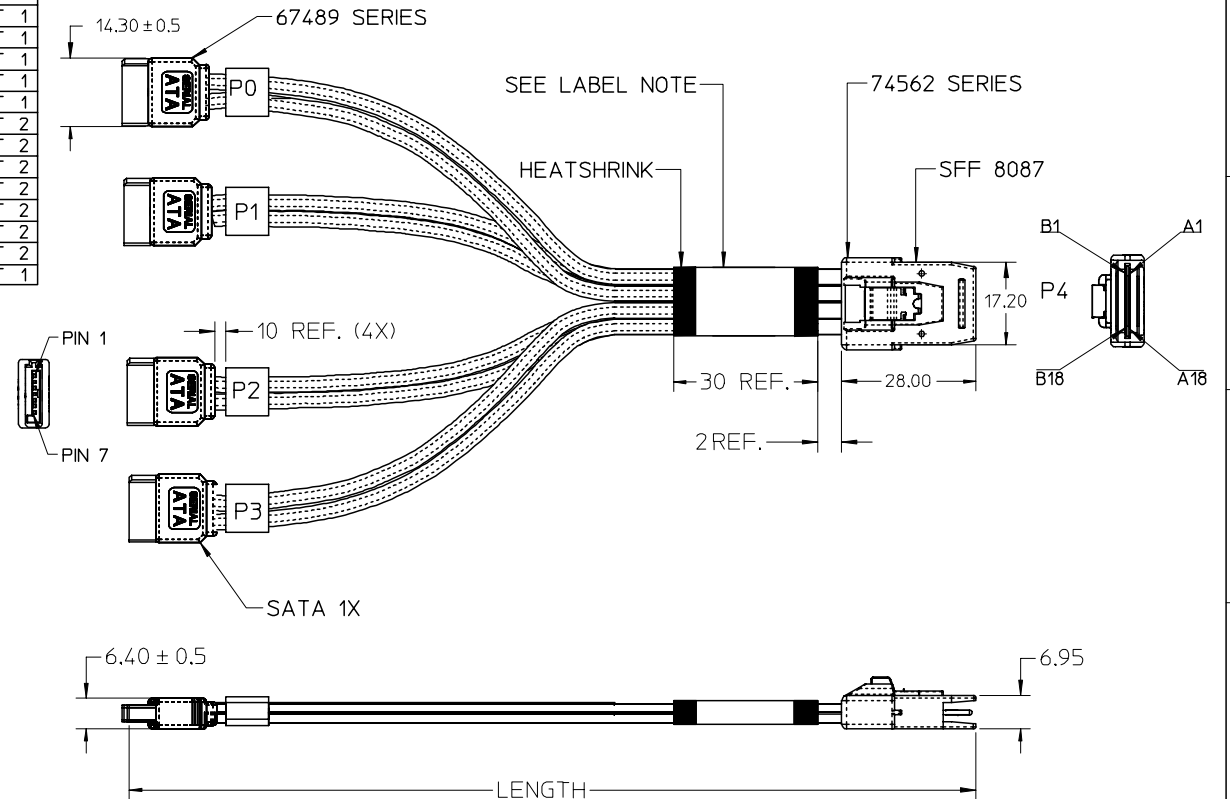
## 8. LABEL DETAIL:

MOLEX

79576-30XX

MADE IN CHINA

YY/WW



## 2. PRODUCT TO PERFORM PER

PRODUCT SPECIFICATION: PS-79536-001.

3. PRODUCT SERIES 74562 MATES TO 75783 (RIGHT ANGLE),  
75784 (VERTICAL).4. THIS PRODUCT CONFORMS TO THE MECHANICAL  
DIMENSIONING AND ELECTRICAL PERFORMANCE  
REQUIREMENTS OF SFF-8086 AND SFF-8087.

## 5. MINIMUM RECOMMENDED BEND RADIUS 28 MM.

## 6. PIN OUT CONFORMS TO SAS 1.1 9.00

SECTION 5.2.4.1.3.3 F83

## 7. PRODUCT IS RoHS COMPLIANT.

## 8. LABEL DETAIL:

MOLEX

79576-30XX

MADE IN CHINA

YY/WW

IPASS™ IS A TRADEMARK OF MOLEX

ENTER DESCRIPTION		QUALITY SYMBOLS		GENERAL TOLERANCES (UNLESS SPECIFIED)		DIMENSION STYLE		SCALE		DESIGN UNITS		THIRD ANGLE PROJECTION	
EC NO: USY2007-0360		DRWN: SNAVARRO 2007/03/27		mm		MM/IN		1:1		METRIC		⊙	
CHKD: PSYTSWA 2007/03/28		APPR: DDOYE 2007/03/28		4 PLACES ± --- ± ---		DRAWN BY DATE		TITLE		IPASS CABLE ASSY		A	
REV		DESCRIPTION		3 PLACES ± --- ± .01		JERWIN 2005/11/21		SFF 36 CKT TO SATA		FANOUT CABLE		1 OF 3	
				2 PLACES ± 0.25 ± ---		CHECKED BY DATE		MOLEX INCORPORATED					
				1 PLACE ± --- ± ---		THALL 2005/11/21		SD-79576-300					
				ANGULAR ± 1 °		APPROVED BY DATE		SEE CHART					
				DRAFT WHERE APPLICABLE MUST REMAIN WITHIN DIMENSIONS		DDOYE 2005/11/21		MATERIAL NO.		DOCUMENT NO.		SHEET NO.	
						SIZE B		THIS DRAWING CONTAINS INFORMATION THAT IS PROPRIETARY TO MOLEX INCORPORATED AND SHOULD NOT BE USED WITHOUT WRITTEN PERMISSION					

9

8

7

6

5

4

3

2

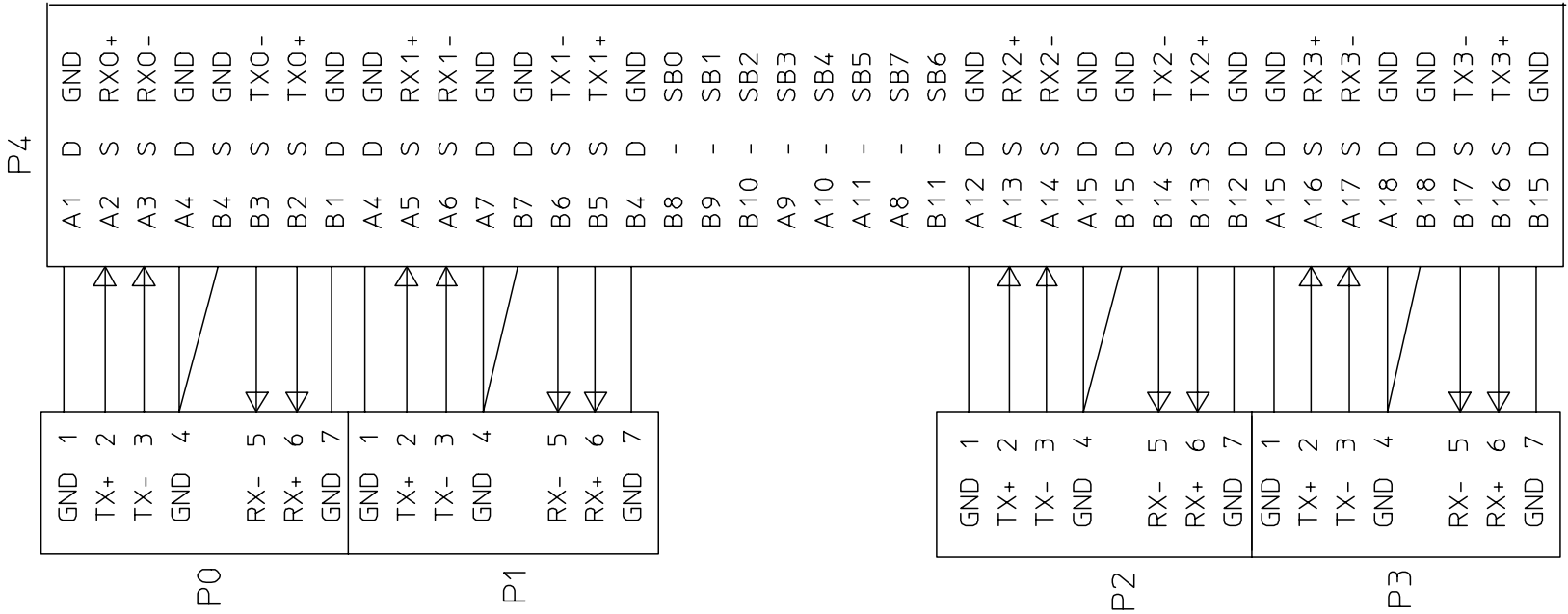
1

6                      5                      4                      3                      2                      1

NOTE:

1. PIN OUT CONFORMS TO SAS 1.1 09D SECTION 5.2.3.2.3.3 FIG 83 AND SECTION 5.2.3.2.3.3 TBL 27
2. ALL SIGNAL GROUNDS ARE BUSSED IN PCB

PIN OUT 1



IPASS™ IS A TRADEMARK OF MOLEX.

NOTE:

- 1) D = DRAIN WIRE
- S = SIGNAL WIRE

<b>ENTER DESCRIPTION</b> EC NO: USY2007-0360 DRWN: SNAVARRO 2007/03/27 CHKD: PSYTSMA 2007/03/28 APPR: DDOYE 2007/03/28	
REV	DESCRIPTION

QUALITY SYMBOLS	= 0 = 0
-----------------	------------

GENERAL TOLERANCES (UNLESS SPECIFIED)	
	mm      INCH
4 PLACES	± ---    ± ---
3 PLACES	± ---    ± .01
2 PLACES	± 0.25   ± ---
1 PLACE	± ---    ± ---
ANGULAR ± 1 °	
DRAFT WHERE APPLICABLE MUST REMAIN WITHIN DIMENSIONS	

DIMENSION STYLE		SCALE	DESIGN UNITS	THIRD ANGLE PROJECTION
MM/IN		1:1	METRIC	
DRAWN BY	DATE	TITLE		
JERWIN	2005/11/21	IPASS CABLE ASSY		
CHECKED BY	DATE	36 CKT TO SATA		
THALL	2005/11/21	FANOUT CABLE		
APPROVED BY	DATE	Molex MOLEX INCORPORATED		
DDOYE	2005/11/21	DOCUMENT NO. SD-79576-300		
MATERIAL NO.	SEE CHART	SHEET NO. 2 OF 3		
SIZE	THIS DRAWING CONTAINS INFORMATION THAT IS PROPRIETARY TO MOLEX INCORPORATED AND SHOULD NOT BE USED WITHOUT WRITTEN PERMISSION			
A				

6

5

4

3

2

1

NOTE:

- 1. NON-STANDARD PIN OUT WITH SATA BACKPLANE CONNECTORS TWISTED
- 2. ALL SIGNAL GROUNDS ARE BUSSED IN PCB.

D

D

C

C

B

B

A

A

PIN OUT 2

P4

A1	A2	A3	A4	B4	B3	B2	B1	A4	A5	A6	A7	B7	B6	B5	B4	B8	B9	B10	A9	A10	A11	A8	B11	A12	A13	A14	A15	B15	B14	B13	B12	A15	A16	A17	A18	B18	B17	B16	B15				
D	S	S	D	S	S	S	D	D	S	S	D	D	S	S	D	-	-	-	-	-	-	-	-	D	S	S	D	D	S	S	D	D	S	S	D	D	S	S	D	D	S	S	D
GND	RX0+	RX0-	GND	GND	TX0-	TX0+	GND	GND	RX1+	RX1-	GND	GND	TX1-	TX1+	GND	SB0	SB1	SB2	SB3	SB4	SB5	SB7	SB6	GND	RX2+	RX2-	GND	GND	TX2-	TX2+	GND	GND	RX3+	RX3-	GND	GND	TX3-	TX3+	GND	GND			

GND	TX+	TX-	GND	RX-	RX+	GND	GND	TX+	TX-	GND	RX-	RX+	GND
7	6	5	4	3	2	1	7	6	5	4	3	2	1

P0

P1

GND	TX+	TX-	GND	RX-	RX+	GND	GND	TX+	TX-	GND	RX-	RX+	GND
7	6	5	4	3	2	1	7	6	5	4	3	2	1

P2

P3

IPASS™ IS A TRADEMARK OF MOLEX.

NOTE:

- 1) D = DRAIN WIRE
- S = SIGNAL WIRE

ENTER DESCRIPTION	QUALITY SYMBOLS
EC NO: USY2007-0360	= 0
DRWN: SNAVARRO 2007/03/27	= 0.01
CHKD: PSYTSMA 2007/03/28	
APPR: DDOYE 2007/03/28	
DESCRIPTION	
REV	

GENERAL TOLERANCES (UNLESS SPECIFIED)	mm	INCH
	4 PLACES ± ---	± ---
	3 PLACES ± ---	± .01
	2 PLACES ± 0.25	± ---
	1 PLACE ± ---	± ---
ANGULAR ± 1 °		
DRAFT WHERE APPLICABLE MUST REMAIN WITHIN DIMENSIONS		

DIMENSION STYLE		SCALE	DESIGN UNITS	THIRD ANGLE PROJECTION
MM/IN		1:1	METRIC	
DRAWN BY	DATE	TITLE		
JERWIN	2005/11/21			
CHECKED BY	DATE	IPASS CABLE ASSY 36 CKT TO SATA FANOUT CABLE		
THALL	2005/11/21			
APPROVED BY	DATE	MOLEX INCORPORATED		
DDOYE	2005/11/21			
MATERIAL NO.	SEE CHART	DOCUMENT NO.	SD-79576-300	SHEET NO.
SIZE	A	THIS DRAWING CONTAINS INFORMATION THAT IS PROPRIETARY TO MOLEX INCORPORATED AND SHOULD NOT BE USED WITHOUT WRITTEN PERMISSION		

5

4

3

2

1