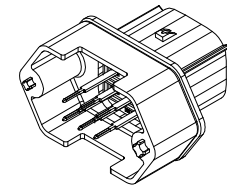
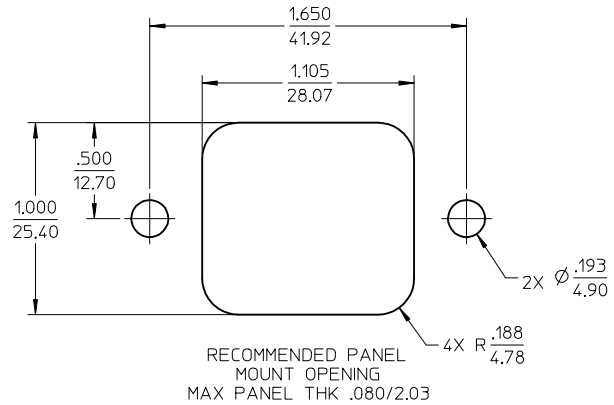
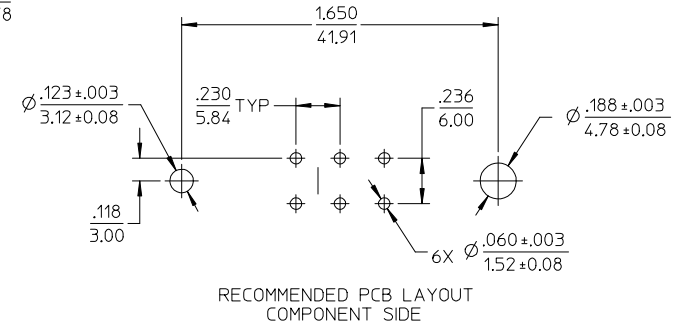
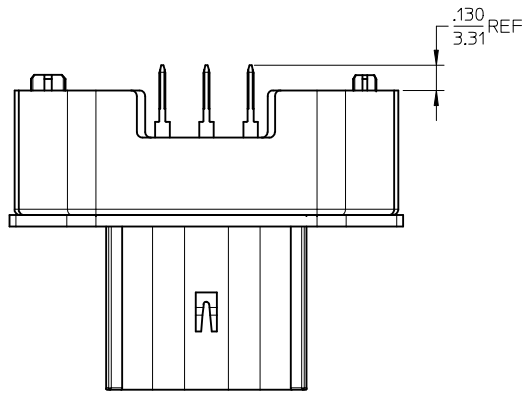


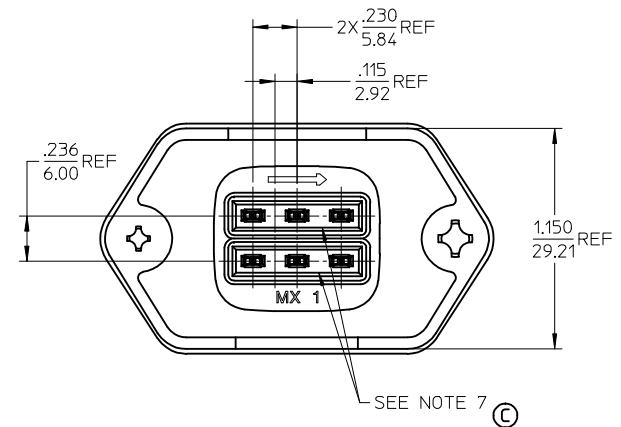
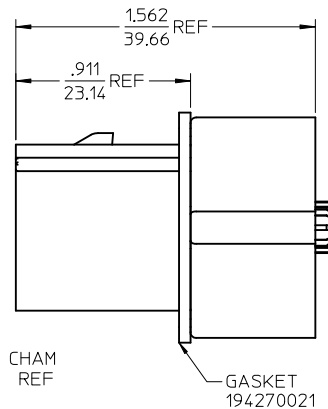
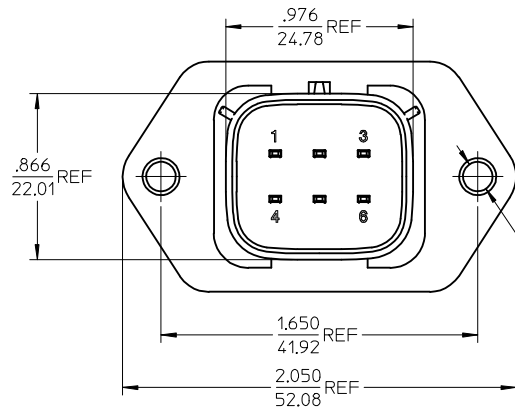
ASSEMBLY MATERIAL NUMBER	TERMINAL PLATING	POTTING
194280004	TIN	NO
194280020	TIN/GOLD	
194280044	TIN	YES
194280045	TIN/GOLD	



ASSEMBLED VIEW  
SCALE 1:1



RECOMMENDED PCB LAYOUT  
COMPONENT SIDE



NOTES:

- MATERIALS:  
HOUSING: POLYESTER (PBT), GLASS FILLED, UL94 V-0,  
COLOR: BLACK  
TERMINALS: COPPER ALLOY
- TERMINAL FINISHES:  
1. TIN ONLY: 100µN TIN OVER 50µN NICKEL  
2. TIN/GOLD: 30µN SELECT GOLD (CONTACT MATING AREA),  
100µN SELECT TIN (PCB TAIL AREA) OVER 50µN NICKEL OVERALL.
- PRODUCT SPECIFICATION: PS-19428-001.
- PACKAGING SPECIFICATION: PK-19427-001.
- MATES WITH: 19418 SERIES RECEPTACLE ASSEMBLIES.
- RECOMMENDED MOUNTING HARDWARE: (2) #10 X .62/15.8 LONG PLASTIC  
THREAD CUTTING SCREWS. RECOMMENDED TORQUE 15-17 IN-LBS.  
SUGGESTED SOURCE: ITW SHAKEPROOF INDUSTRIAL BOSSCREW OR EQUIVALENT.
- ELASTOMERIC SILICONE APPLIED IN TERMINAL WELLS. SEE CHART. (C)
- ASSEMBLY IS ROHS COMPLIANT.

REV	DESCRIPTION	QUALITY SYMBOLS
1	DRW:WLEUNG 2012/12/07 CHK:DAJITUS 2012/12/07 APPR:DJTUS 2013/01/10	▽=0 ▽=0

GENERAL TOLERANCES (UNLESS SPECIFIED)	
mm	INCH
4 PLACES ± .005	± .0005
3 PLACES ± .003	± .0003
2 PLACES ± .002	± .0002
1 PLACE ± .001	± .0001
ANGULAR ± 1°	

DIMENSION STYLE	
IN/MM	
DRAWN BY	DATE
DMYRICK	04/07/02
CHECKED BY	DATE
JPAWLICK	04/07/02
APPROVED BY	DATE
RDEROSS	04/07/02

SCALE	DESIGN UNITS	THIRD ANGLE PROJECTION
2:1	INCH	(C)
TITLE <b>6-WAY STRAIGHT HEADER ASSEMBLY, LONG VERSION</b>		
MATERIAL NO. <b>SEE CHART</b>		
DOCUMENT NO. <b>SD-19428-012</b>		SHEET NO. <b>1 OF 1</b>
THIS DRAWING CONTAINS INFORMATION THAT IS PROPRIETARY TO MOLEX INCORPORATED AND SHOULD NOT BE USED WITHOUT WRITTEN PERMISSION		