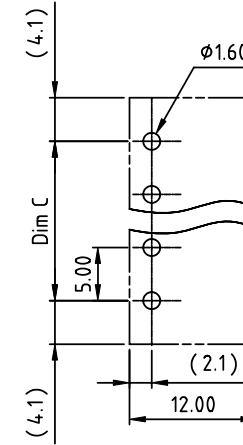
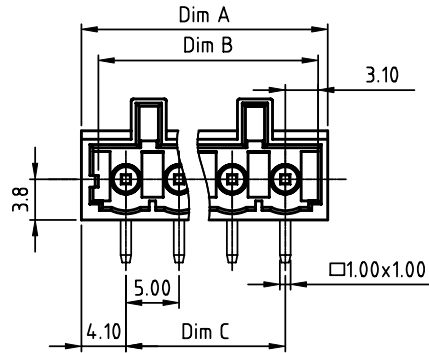
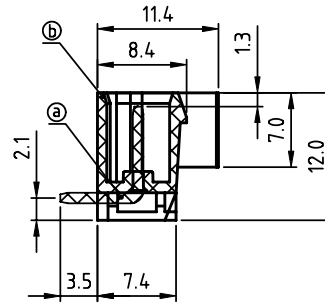
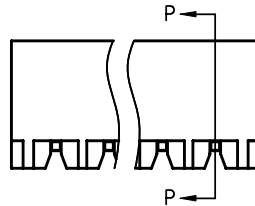


PRODUCT NUMBER	PITCH
NCxx72x100J0G	5.00 mm



RECOMMENDED P.C.B LAYOUT  
TOP VIEW



SECTION P-P

Material:

- Item①Male contact pin: Copper Tin plated
- Item②Terminal(housing): Thermoplastic (UL94V-0)

Electrical:

- Voltage rating: 300V
- Current rating: 8A
- Withstanding Voltage: 1.6 KV
- Operating temperature: -40°C to +115°C
- Soldering temperature: 260°C±5°C/5 Sec
- Safety Approval:

N=Number of poles  
Dim A=Nx5.0+3.2  
Dim B=Nx5.0+0.7  
Dim C=(N-1)x5.0

poles	Dim A	Dim B	Dim C
2-6p	±0.20	+0.15 -0	±0.20
6-12p	±0.30	+0.3 -0	±0.30
12-24p	±0.40	+0.4 -0	±0.40

PART NO.: NC xx 7 2 x 1 00J0 G

- Solid block
  - No. of poles
  - Color
  - RoHS compliant (lead<4%)  
In copper Alloy
- |             |                     |
|-------------|---------------------|
| 02 2 poles  | 2 Black (RAL9005)   |
| 03 3 poles  | 3 Red (RAL3001/D)   |
| ...         | 4 Orange(RAL2011/P) |
| 24 24 poles | 5 Yellow(RAL1018/A) |
|             | 6 Green(RAL6018/T)  |
|             | 7 Blue (RAL5015/A)  |
|             | 8 Grey(RAL7035/D)   |
|             | 9 White(RAL1102)    |
|             | C Green(RAL6018/U)  |

mat'l. code		surface ASME Y14.5	tolerance ASME Y14.5	projection 	product family TERMINAL BLOCK
ltr	ecn no	dr	date	tolerances unless otherwise specified	title
				angles X±1°	TERMINAL BLOCK
				scale MM	PLUGGABLE SOCKET, RIGHT ANGLE, W/HOOK HOLDER
		dr	EVIN ZHONG	042314	dwg no
		enr	EVIN ZHONG	042314	sheet 1 of 1
		chr	HANKE FENG	042314	size A4
		appd	SHI JUN	042314	type CUSTOMER Drawing
sheet index	revision	A			
	sheet	1			