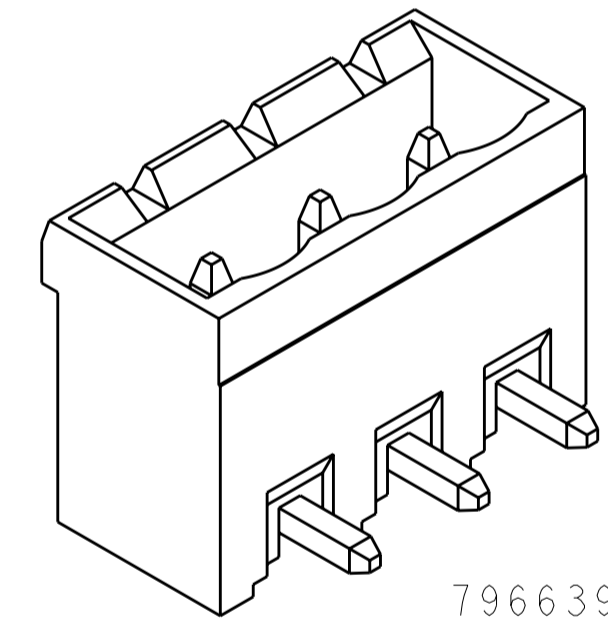
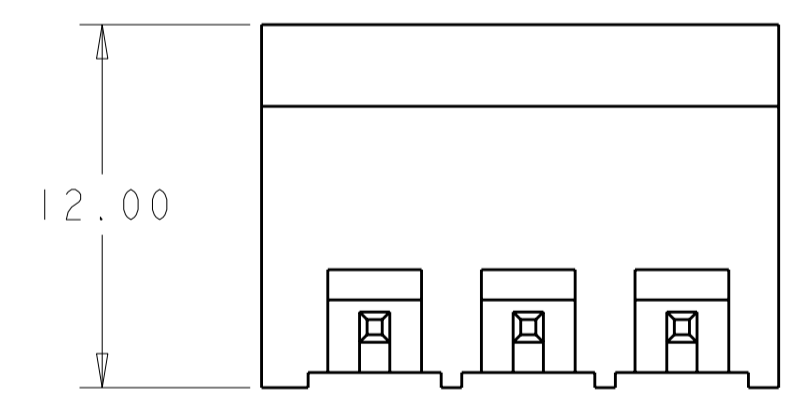
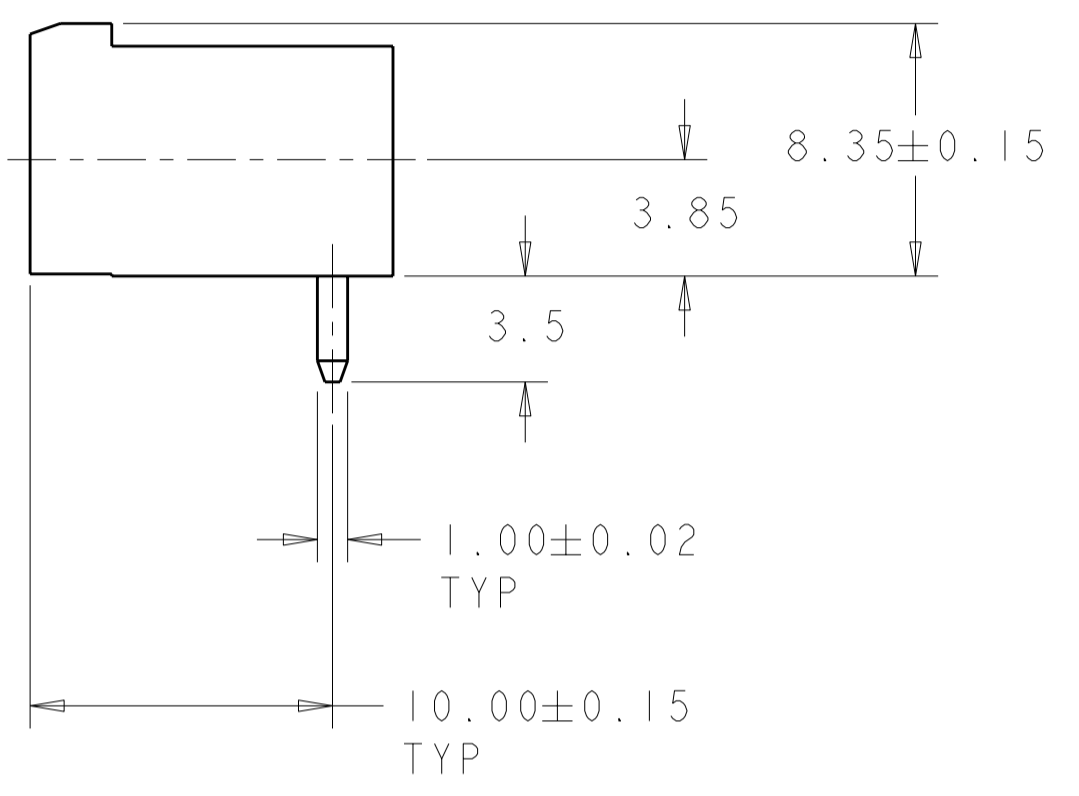
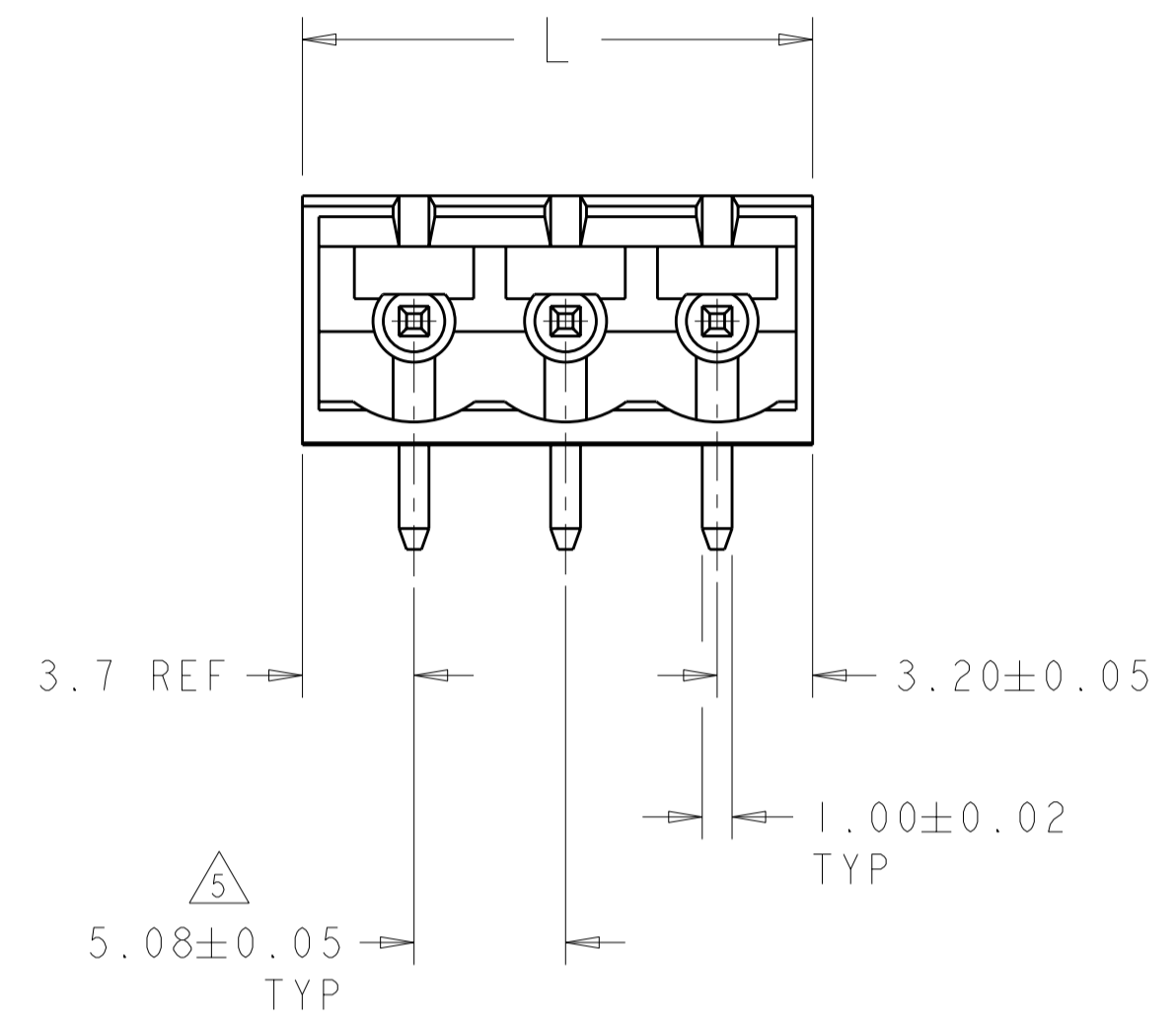


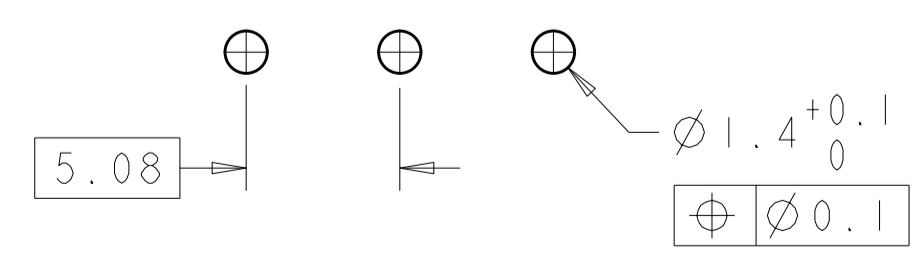
THIS DRAWING IS UNPUBLISHED. RELEASED FOR PUBLICATION 20  
 © COPYRIGHT 20 BY - ALL RIGHTS RESERVED.

LOC	DIST	REVISIONS			
P	LTR	DESCRIPTION	DATE	DWN	APVD
FT	0	B5	REVISED PER ECO-12-007711	25APR2012	KH MS



0.76µm GOLD	108.50	21	3-796639-8	6
0.76µm GOLD	88.18	17	3-796639-7	6
0.76µm GOLD	72.94	14	3-796639-6	6
0.76µm GOLD	62.78	12	3-796639-5	6
0.76µm GOLD	52.62	10	3-796639-4	6
0.76µm GOLD	47.54	9	3-796639-3	6
0.76µm GOLD	42.46	8	3-796639-2	6
0.76µm GOLD	37.38	7	3-796639-1	6
0.76µm GOLD	32.30	6	3-796639-0	6
0.76µm GOLD	27.22	5	2-796639-9	6
0.76µm GOLD	22.14	4	2-796639-8	6
0.76µm GOLD	17.06	3	2-796639-7	6
0.76µm GOLD	11.98	2	2-796639-6	6
TIN	128.82	25	2-796639-5	
TIN	123.74	24	2-796639-4	
TIN	118.66	23	2-796639-3	
TIN	113.58	22	2-796639-2	
TIN	108.50	21	2-796639-1	
TIN	103.42	20	2-796639-0	
TIN	98.34	19	1-796639-9	
TIN	93.26	18	1-796639-8	
TIN	88.18	17	1-796639-7	
TIN	83.10	16	1-796639-6	
TIN	78.02	15	1-796639-5	
TIN	72.94	14	1-796639-4	
TIN	67.86	13	1-796639-3	
TIN	62.78	12	1-796639-2	
TIN	57.70	11	1-796639-1	
TIN	52.62	10	1-796639-0	
TIN	47.54	9	796639-9	
TIN	42.46	8	796639-8	
TIN	37.38	7	796639-7	
TIN	32.30	6	796639-6	
TIN	27.22	5	796639-5	
TIN	22.14	4	796639-4	
TIN	17.06	3	796639-3	
TIN	11.98	2	796639-2	
CONTACT FINISH	DIM L	NO OF POSN	PART NUMBER	

- 1. MATERIALS AND FINISH:  
 HOUSING: PA 6-6, UL 94-V0, COLOR: BLACK.  
 TERMINAL: COPPER ALLOY, FINISH: SEE TABLE.
- 2. SUITABLE FOR 1,6-2, 4mm PC BOARD THICKNESS.
- 3. RECOGNIZED UNDER THE COMPONENT PROGRAM OF UNDERWRITERS LABORATORIES INC. FILE N° E60677.
- 4. IMQ CERTIFICATE WITH SURVEILLANCE IN CONFORMITY WITH IEC 998-1/998-2-1.)



RECOMMENDED PC BOARD LAYOUT

- 5. NOT CUMULATIVE TOLERANCE
- 6. PRELIMINARY PART NUMBER.

THIS DRAWING IS A CONTROLLED DOCUMENT.		DWN S.WELDON 19OCT2000	TE Connectivity	
DIMENSIONS: mm		CHK D.BIEVENOUR 19OCT2000		
TOLERANCES UNLESS OTHERWISE SPECIFIED:		APVD D.BIEVENOUR 19OCT2000	NAME	
0 PLC ±-		PRODUCT SPEC	TERMI-BLOK HEADER ASSEMBLY, 90 DEGREE, CLOSED ENDS, 5.08mm PITCH	
1 PLC ±0.2		APPLICATION SPEC	SIZE	CAGE CODE
2 PLC ±-		WEIGHT	A2	00779
3 PLC ±-		CUSTOMER DRAWING	DRAWING NO	796639
4 PLC ±-		SCALE	4:1	SHEET 1 OF 1
ANGLES ±-		REV		B5
FINISH ±-				