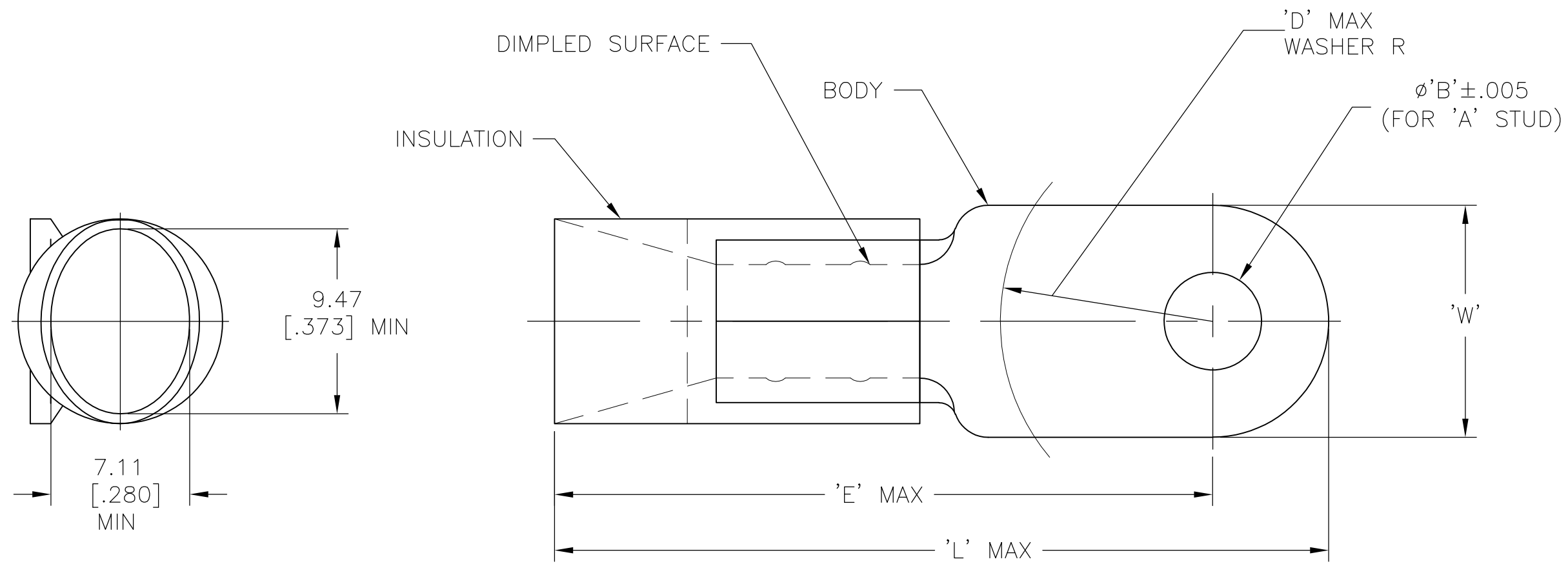


THIS DRAWING IS UNPUBLISHED. RELEASED FOR PUBLICATION
 © COPYRIGHT BY TYCO ELECTRONICS CORPORATION. ALL INTERNATIONAL RIGHTS RESERVED.

LOC	DIST	REVISIONS					
G	14	P	LTR	DESCRIPTION	DATE	DWN	APVD
			C1	REDRAWN PER ECR-09-004940	06MAR09	HMR	JR



TOUNGUE MATERIAL THK = .045±.003

OBSOLETE	54746-8	.625	.515	.390	3/8	1.447	1.762	1	WIRE TERMINAL	BODY : COPPER(ASTM-B152) TIN PL.(ASTM-B545) INSULATION: NYLON (ASTM-D4066) TYPE I COLOR: BLUE	54746-4
OBSOLETE	54746-7	.625	.515	.328	5/16	1.447	1.762	1			54746-3
OBSOLETE	54746-6	.500	.515	.265	1/4	1.447	1.700	1			54746-2
	54746-5	.463	.421	.197	10	1.338	1.575	1			54746-1
ON TAPE	'W'	'D'	'B'	'A'	'E'	'L'	QTY	DESCRIPTION	MATERIAL AND FINISH	PART NO	

THIS DRAWING IS A CONTROLLED DOCUMENT.		DWN	RAGHAVENDRA	06MAR09	 Tyco Electronics Corporation Harrisburg, PA 17105-3608
DIMENSIONS: mm [INCHES]		CHK	JEFF RUTH	06MAR09	
		APVD	TOM MICHIELUTTI	06MAR09	
TOLERANCES UNLESS OTHERWISE SPECIFIED:		PRODUCT SPEC		NAME	
0 PLC ± -		-		TERMINYL RING-OVAL	
1 PLC ± -		-		INSULATION WIRE SIZE 6	
2 PLC ± -		APPLICATION SPEC		SIZE	
3 PLC ± 0.20[.008]		-		CAGE CODE	
4 PLC ± -		-		DRAWING NO	
ANGLES ± 5°		WEIGHT		RESTRICTED TO	
MATERIAL SEE TABLE		-		-	
FINISH SEE TABLE		CUSTOMER DRAWING		SCALE 4:1	
		A300779		SHEET 1 OF 1	
		C-54746		REV C1	