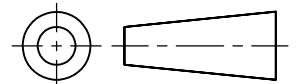


DO NOT SCALE

DIMENSIONS IN mm

METRIC

THIRD ANGLE
PROJECTION



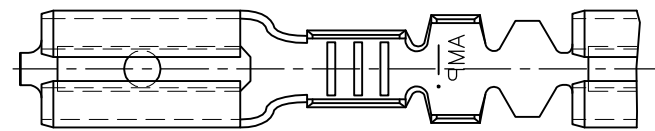
REV	REVISION RECORD	DATE	DW	APD
01	REVISED PER ECO-09-020935	04SEP09	KK	AEG

NOTES

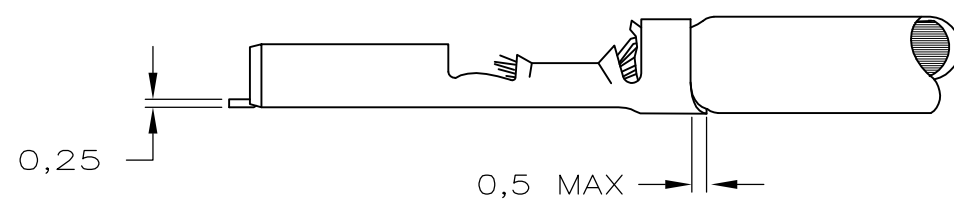
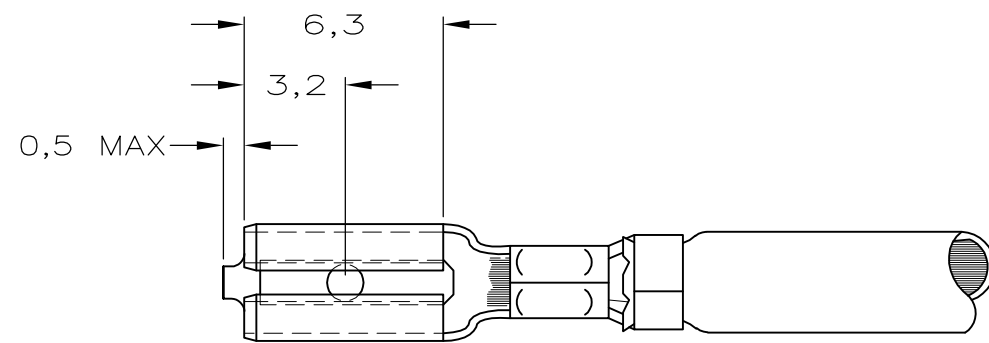
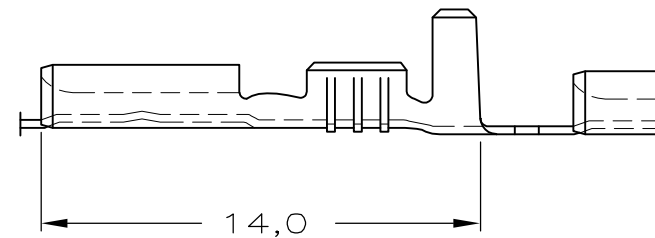
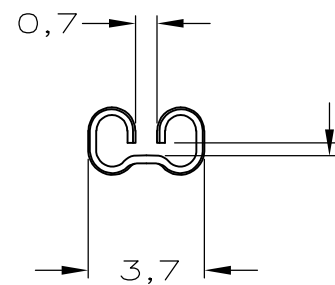
1 FOR USE ON MINIATURE APPLICATORS (LEFT-RIGHT FEED)
AND STANDARD APPLICATORS (RIGHT-LEFT FEED).

2 REELED WITH PAPER COVER.

3 OBSOLETE PARTS: OBSOLETE CIS STREAMLINING
PER D.RENAUD/D.SINISI



for 0,8 mm tab
thickness. -



3 OBSOLETE	1	TINPLATED	PH.BRONZE	160918-4
	1	UNPLATED	PH.BRONZE	160918-3
	1	TINPLATED	BRASS	160918-2
	1	UNPLATED	BRASS	160918-1

NOTES	FINISH	MATERIAL	PARTNUMBER
CUSTOMER DRAWING		AMP HOLLAND B.V. 's-Hertogenbosch, The Netherlands.	
FOR REFERENCE ONLY WILL NOT BE UPDATED		THIS DRAWING IS UNPUBLISHED RELEASED FOR PUBLICATION sept, 1987 © COPYRIGHT 1987 BY AMP-HOLLAND B.V. ALL INTERNATIONAL RIGHTS RESERVED. AMP PRODUCTS MAY BE COVERED BY U.S. AND FOREIGN PATENTS AND/OR PATENTS PENDING.	
DR. R.v.Lokven	DATE 17.09.87	WIRE RANGE 0,5-1,0 mm ²	NAME .110 SRS FASTON RECEPTACLE.
CHK. A.B.	DATE 18.09.87	INSUL.RANGE 1,4-2,3mmDIA	REV.DATE D M Y 17 09 87
APP. L.v.Soest	DATE 22.09.87	SIZE A3	SHEET 1 OF 1
		DWG. No.	160918
			REV.LTR. 01

8 7 6 5 4 3 2 1