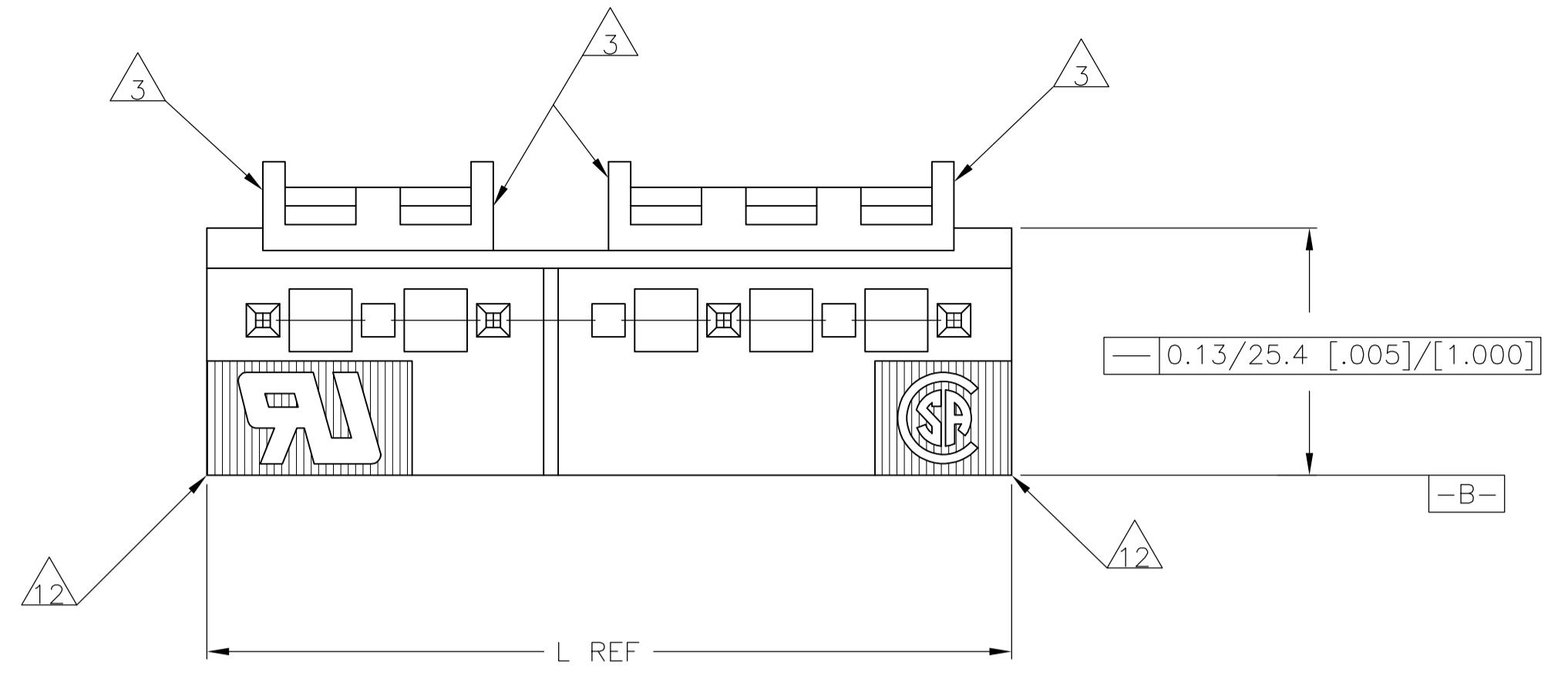
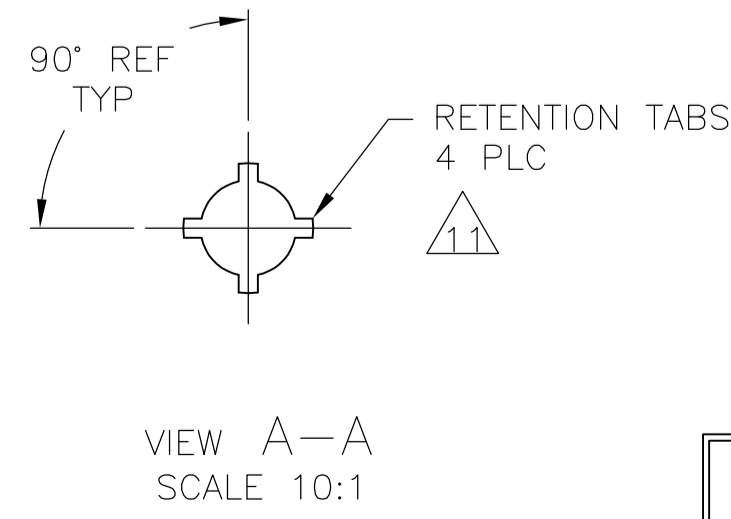
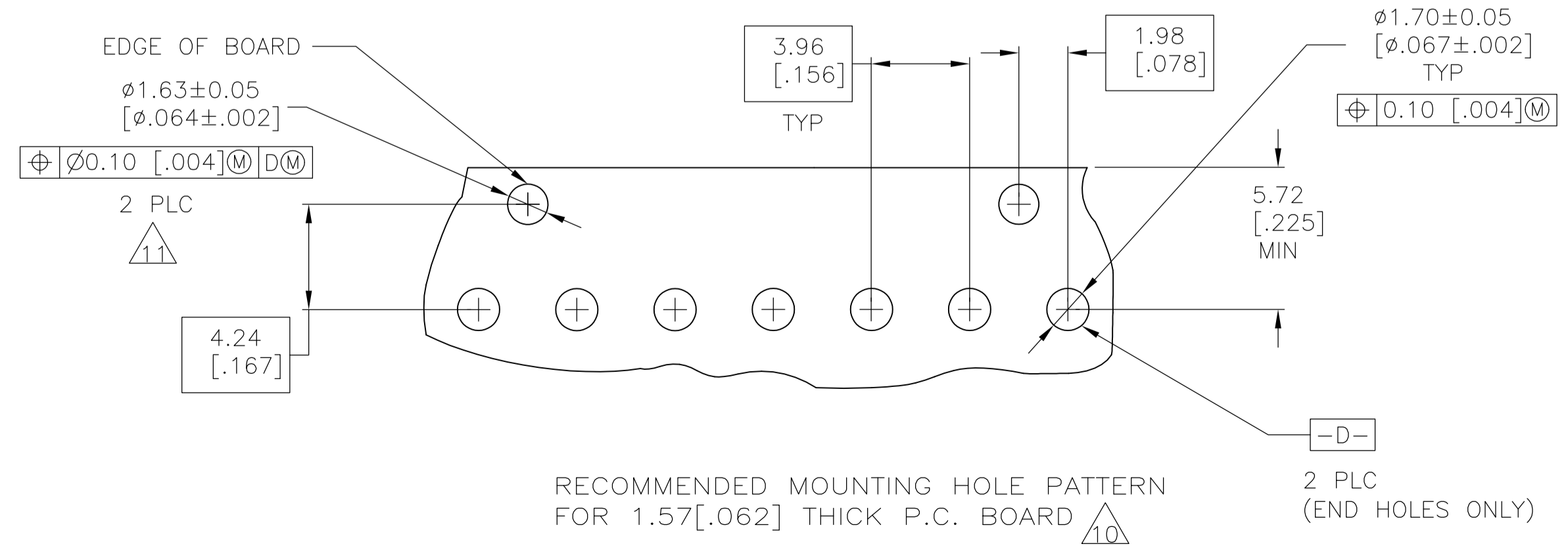
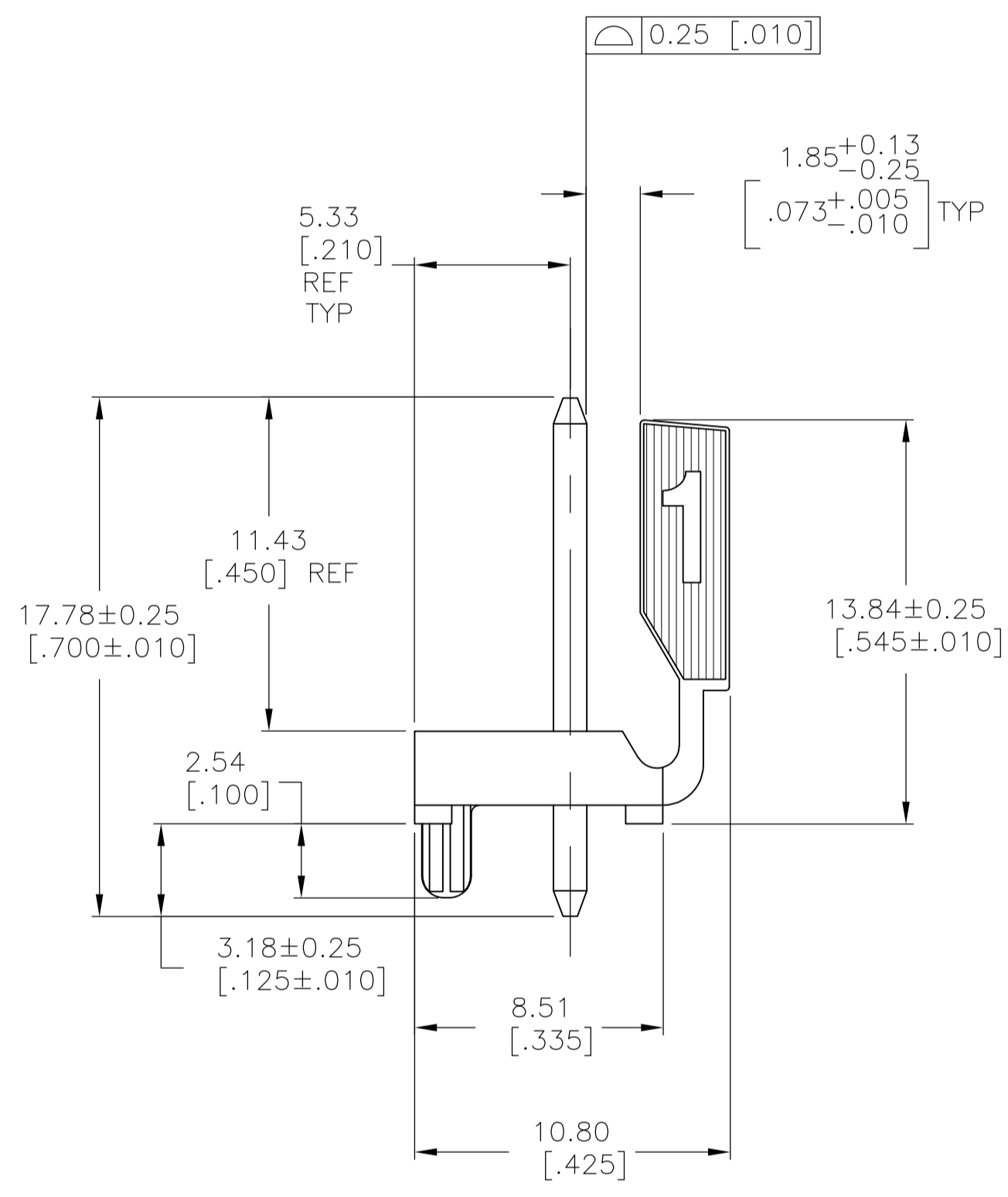
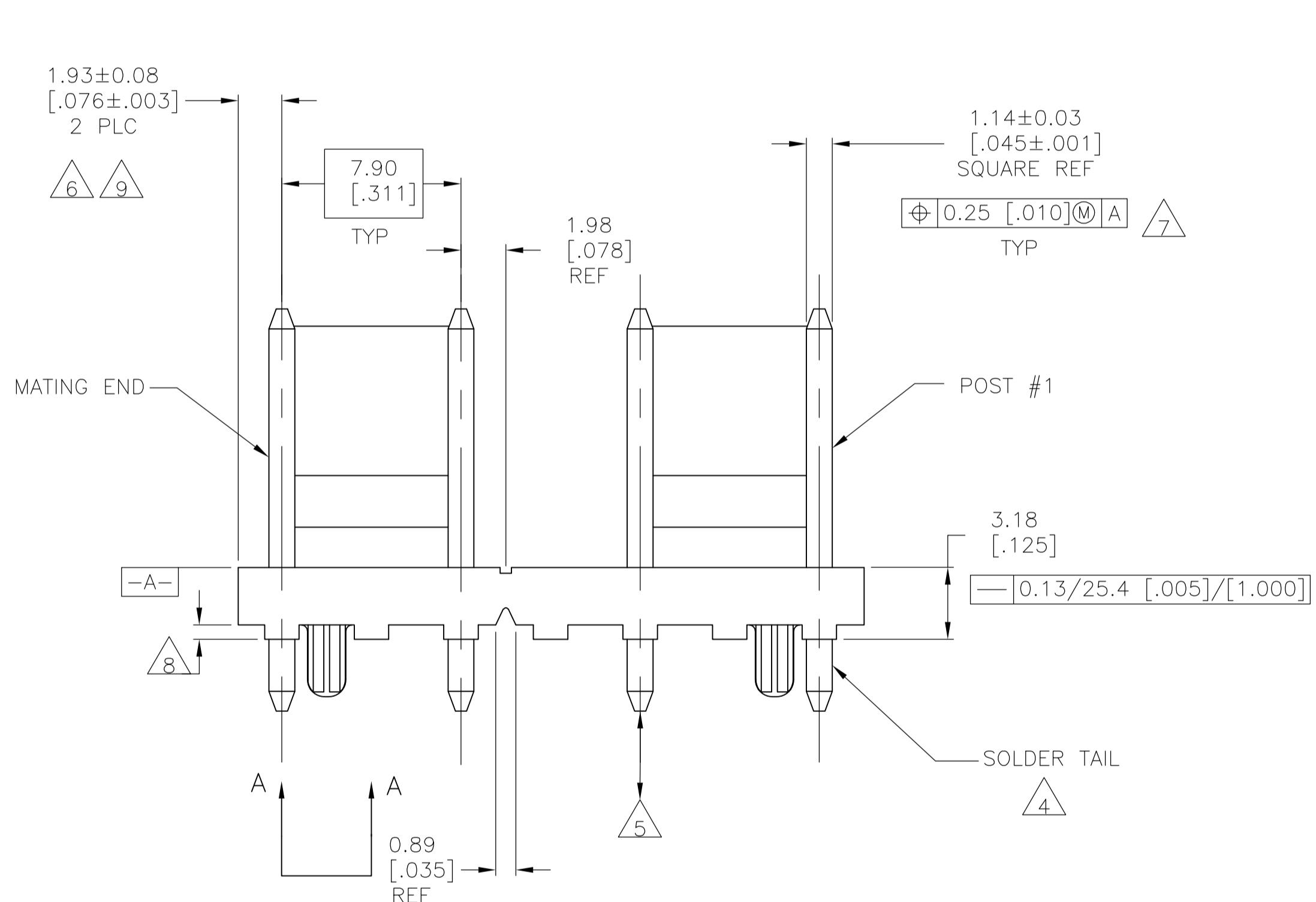


LOC		DIST		REVISIONS			
P	LTR	DESCRIPTION	DATE	DN	APVD		
A		ECO-08-003512	08FEB08	KW	DB		



- 1 MATERIAL
HOUSING: THERMOPLASTIC POLYESTER, GLASS FILLED, UL94V-0.
POST: COPPER ALLOY
 - 2 FINISH
HOUSING: NATURAL
POST: MATTE TIN PLATE, .000150" MIN THICK OVER NICKEL.
 - 3 EDGE OF POLARIZING LOCK WALL TO BE IN LINE WITH CENTERLINE OF ADJACENT POST WITHIN ±0.13 [.005].
 - 4 POST SOLDER TAILS COMPLY WITH AMP SOLDERABILITY SPEC 109-11-2.
 - 5 POST WITHSTANDS 13.34N (3 LB) MIN AXIAL FORCE IN EITHER DIRECTION WITHOUT DISLODGING.
 - 6 APPLIES AT -A-
 - 7 APPLIES WHEN THE HEADER IS STRAIGHT.
 - 8 PLASTIC PROJECTIONS PERMITTED IN THIS ZONE.
 - 9 COORDINATE DIMENSIONS APPLIES FROM THE CENTER OF THE ACTUAL FEATURE.
 - 10 SOLDER SIDE OF BOARD IS SHOWN.
 - 11 THE RETENTION TABS PROVIDE A ONE-TIME INTERFERENCE FIT IN THE 1.63[.064] DIAMETER BOARD HOLE FOR HEADER ASSEMBLY RETENTION DURING SOLDERING. FOUR TABS PER PEG, TWO PEGS PER HEADER ASSEMBLY (ONE PEG ONLY FOR 2 POSITION SIZE).
 - 12 UL MARKING MAY NOT APPEAR ON THE 2 OR 3 POSITION SIZES. CSA MARKING MAY NOT APPEAR ON THE 2 POSITION SIZE.
13. DIMENSIONS IN BRACKETS ARE IN INCHES.



4&5 BACKWALL INTERRUPTION(S) BETWEEN POST	27.61 [1.087] L	7 NO. OF CIRCUITS	3-647618-7 PART NUMBER
THIS DRAWING IS A CONTROLLED DOCUMENT.		Tyco Electronics Corporation Harrisburg, Pa 17105-3608	
DIMENSIONS: mm [INCHES]	TOLERANCES UNLESS OTHERWISE SPECIFIED:	NAME: MTA-156 HEADER ASSEMBLY, POLARIZED LOCK, STRAIGHT .045 SQUARE POST, TIN PLATED W/RETENTION PEGS	
0 PLC ± -	1 PLC ± -	SIZE: A1	CAGE CODE: 00779
2 PLC ± -	3 PLC ± -	DRAWING NO: 647618	RESTRICTED TO: -
4 PLC ± -	ANGLES ± -	WEIGHT: -	CUSTOMER DRAWING
MATERIAL: 1	FINISH: 2	SCALE: 5:1	SHEET 1 OF 1 REV A