

- NOTES :
- MATERIAL : HOUSING - HIGH TEMP. NYLON, GLASS FILLED, UL 94V-0
COLOUR : BLACK.
LATCH - HIGH TEMP NYLON, GLASS FILLED, UL 94V-0
COLOUR : NATURAL (OFF WHITE) OR BLACK.
TERMINAL : COPPER ALLOY.
 - PLATING - SEE TABLE ON SHEET 4.
 - CARD SLOT ACCEPTS 1.27±0.10MM MODULE THICKNESS
(MEASURED FROM P.C. PADS).
 - REFER TO PRODUCT SPECIFICATION, PS-78061-001 FOR PERFORMANCE SPECIFICATIONS.
 - PRODUCT SHALL BE PACKED IN TRAY. PLS REFER TO SHEET 5.

- MOLEX LOGO, DATE & PART NO. INDICATED ON HOUSING.
- MODULE SEATING PLANE FROM TOP OF PCB.
- KEEP OUT ZONE RESERVED FOR LATCH (PER JEDEC SO-003,REV.A).
- MODULE CARD USED IN PRODUCT TESTING ARE CHAMFERED.
- KEEP OUT AREA IS THE AREA WHERE THE CONNECTOR (INCLUDING LATCH) IS MOUNTED ON THE PCB (PER JEDEC SO-003,REV.A).

TRAY DWG ADDED	2006/12/26
EC NO: S2007-0602	2006/12/26
DRWN:CMTEO	2006/12/26
CHKD:SHLENI	2006/12/26
APPR:GGLLEE	2006/12/28

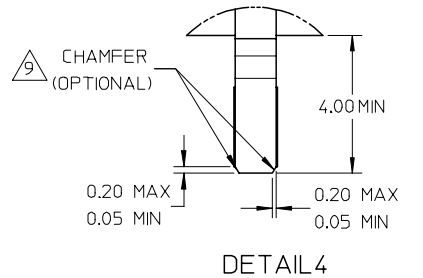
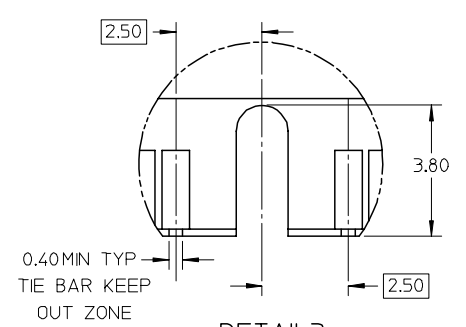
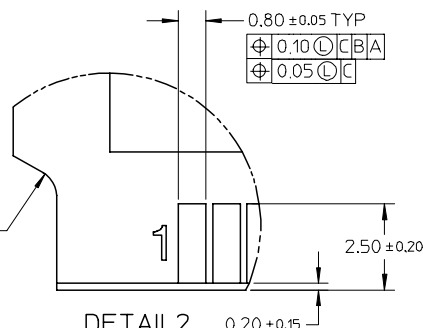
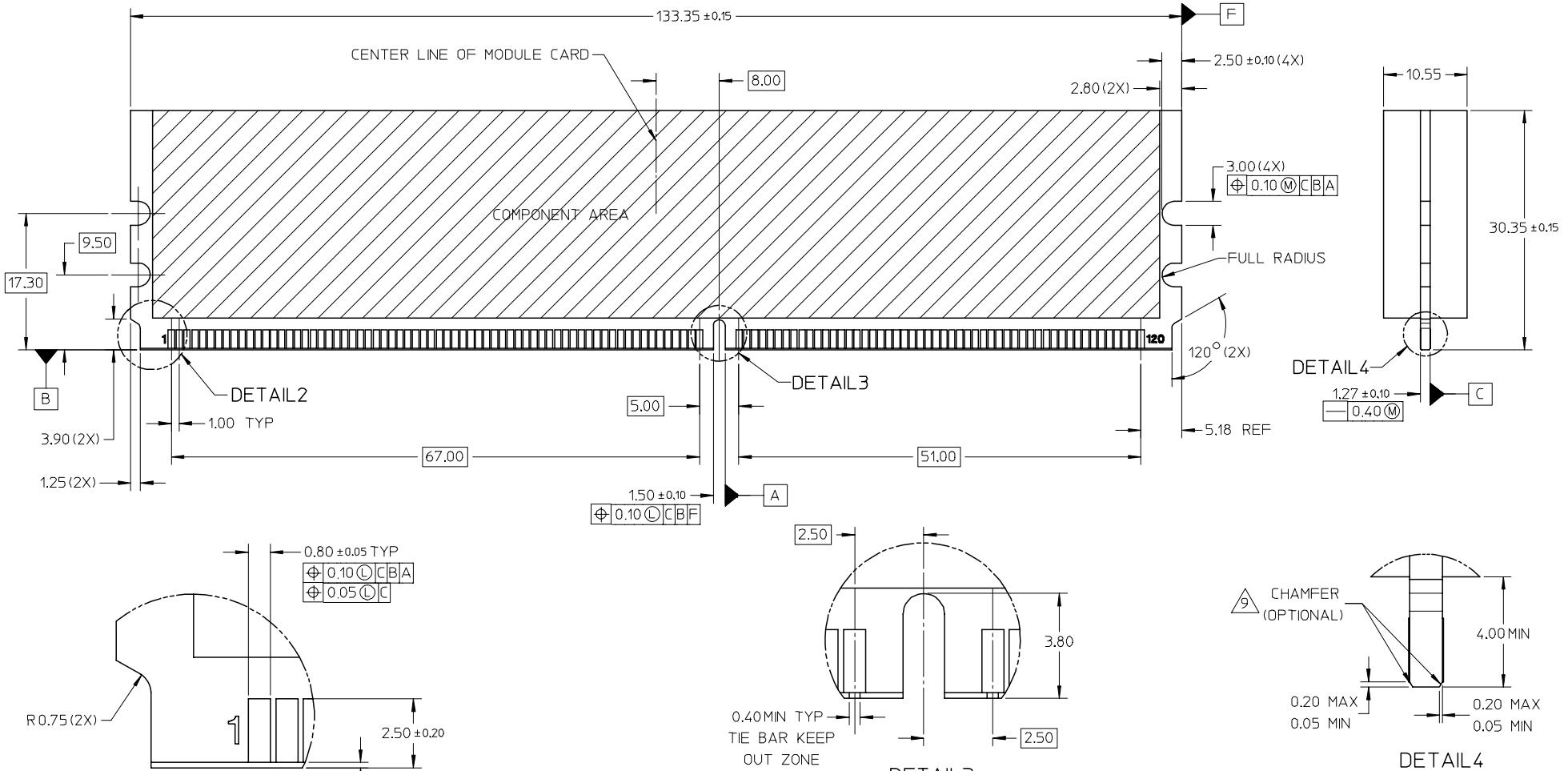
REV	DESCRIPTION
A4	

QUALITY SYMBOLS	DESCRIPTION
▽=0	
∇=0	

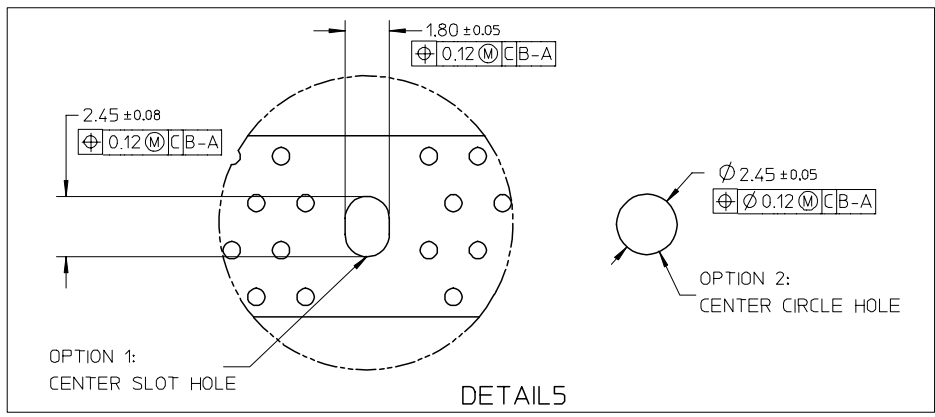
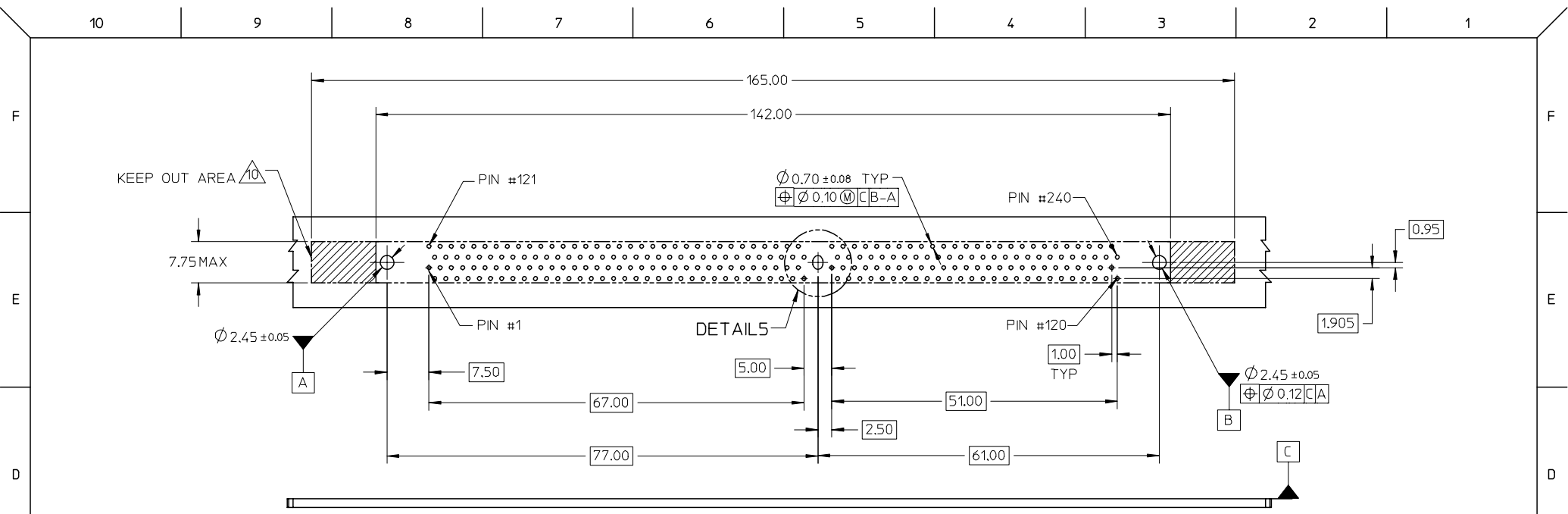
GENERAL TOLERANCES (UNLESS SPECIFIED)	
mm	INCH
4 PLACES ± ---	± ---
3 PLACES ± ---	± ---
2 PLACES ± 0.2	± ---
1 PLACE ± ---	± ---
ANGULAR ± 1 °	
DRAFT WHERE APPLICABLE MUST REMAIN WITHIN DIMENSIONS	

DIMENSION STYLE		SCALE	DESIGN UNITS	THIRD ANGLE PROJECTION
MM ONLY		NTS	METRIC	
DRAWN BY	DATE	TITLE		
JTAN	2005/10/20	FB DIMM, 1.00MM PITCH 240 CKTS, VERTICAL T/H		
CHECKED BY	DATE	MOLEX INCORPORATED		
SRRAMESH	2005/12/05			
APPROVED BY	DATE	DOCUMENT NO.	SHEET NO.	
GGLLEE	2005/12/06	SD-78061-001	1 OF 5	
MATERIAL NO.		THIS DRAWING CONTAINS INFORMATION THAT IS PROPRIETARY TO MOLEX INCORPORATED AND SHOULD NOT BE USED WITHOUT WRITTEN PERMISSION		
SEE TABLE				

MODULE CARD
 FB DIMM, DUAL IN-LINE MEMORY MODULE FAMILY 1.00MM CONTACT CENTERS
 (PER JEDEC MO-256 REV.C, DATE : 12/05)



TRAY DWG ADDED EC NO: S2007-0602 DRWN:CMTEO 2006/12/26 CHKD:SHLENI 2006/12/26 APPR:GGLEE 2006/12/28	QUALITY SYMBOLS ▽=0 ◻=0	GENERAL TOLERANCES (UNLESS SPECIFIED) <table border="1"> <thead> <tr> <th></th> <th>mm</th> <th>INCH</th> </tr> </thead> <tbody> <tr> <td>4 PLACES</td> <td>± ---</td> <td>± ---</td> </tr> <tr> <td>3 PLACES</td> <td>± ---</td> <td>± ---</td> </tr> <tr> <td>2 PLACES</td> <td>± 0.2</td> <td>± ---</td> </tr> <tr> <td>1 PLACE</td> <td>± ---</td> <td>± ---</td> </tr> <tr> <td colspan="3">ANGULAR ± 1 °</td> </tr> </tbody> </table>		mm	INCH	4 PLACES	± ---	± ---	3 PLACES	± ---	± ---	2 PLACES	± 0.2	± ---	1 PLACE	± ---	± ---	ANGULAR ± 1 °			DIMENSION STYLE MM ONLY	SCALE NTS	DESIGN UNITS METRIC	THIRD ANGLE PROJECTION
		mm	INCH																					
	4 PLACES	± ---	± ---																					
	3 PLACES	± ---	± ---																					
2 PLACES	± 0.2	± ---																						
1 PLACE	± ---	± ---																						
ANGULAR ± 1 °																								
REV A4	DESCRIPTION	DRAFT WHERE APPLICABLE MUST REMAIN WITHIN DIMENSIONS	DRAWN BY JTAN	DATE 2005/10/20	TITLE FB DIMM, 1.00MM PITCH 240 CKTS, VERTICAL T/H	MOLEX INCORPORATED																		
			CHECKED BY SRRAMESH	DATE 2005/12/05	APPROVED BY GGLEE	DATE 2005/12/06																		
			MATERIAL NO. SEE TABLE	DOCUMENT NO. SD-78061-001	SHEET NO. 2 OF 5																			



TRAY DWG ADDED	2006/12/26
EC NO: S2007-0602	2006/12/26
DRWN:CMTEO	2006/12/26
CHKD:SHLENI	2006/12/26
APPR:GGLLEE	2006/12/28
REV	DESCRIPTION
A4	

QUALITY SYMBOLS	▽=0
	∇=0

GENERAL TOLERANCES (UNLESS SPECIFIED)	mm	INCH
4 PLACES	± ---	± ---
3 PLACES	± ---	± ---
2 PLACES	± 0.2	± ---
1 PLACE	± ---	± ---
ANGULAR ± 1 °		
DRAFT WHERE APPLICABLE MUST REMAIN WITHIN DIMENSIONS		

DIMENSION STYLE		SCALE	DESIGN UNITS	THIRD ANGLE PROJECTION
MM ONLY		NTS	METRIC	
DRAWN BY	DATE	TITLE		
JTAN	2005/10/20	FB DIMM, 1.00MM PITCH		
CHECKED BY	DATE	240 CKTS, VERTICAL T/H		
SRRAMESH	2005/12/05			
APPROVED BY	DATE			
GGLLEE	2005/12/06			
MATERIAL NO.		DOCUMENT NO.	SHEET NO.	
SEE TABLE		SD-78061-001	3 OF 5	

MOLEX INCORPORATED	
THIS DRAWING CONTAINS INFORMATION THAT IS PROPRIETARY TO MOLEX INCORPORATED AND SHOULD NOT BE USED WITHOUT WRITTEN PERMISSION	

F

F

E

E

D

D

C

C

B

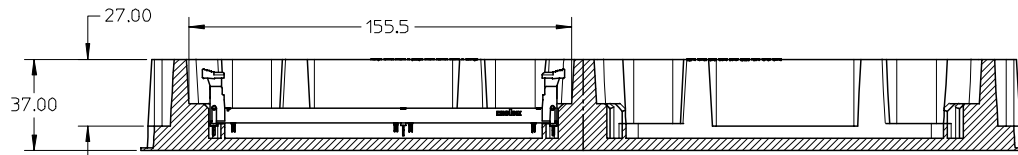
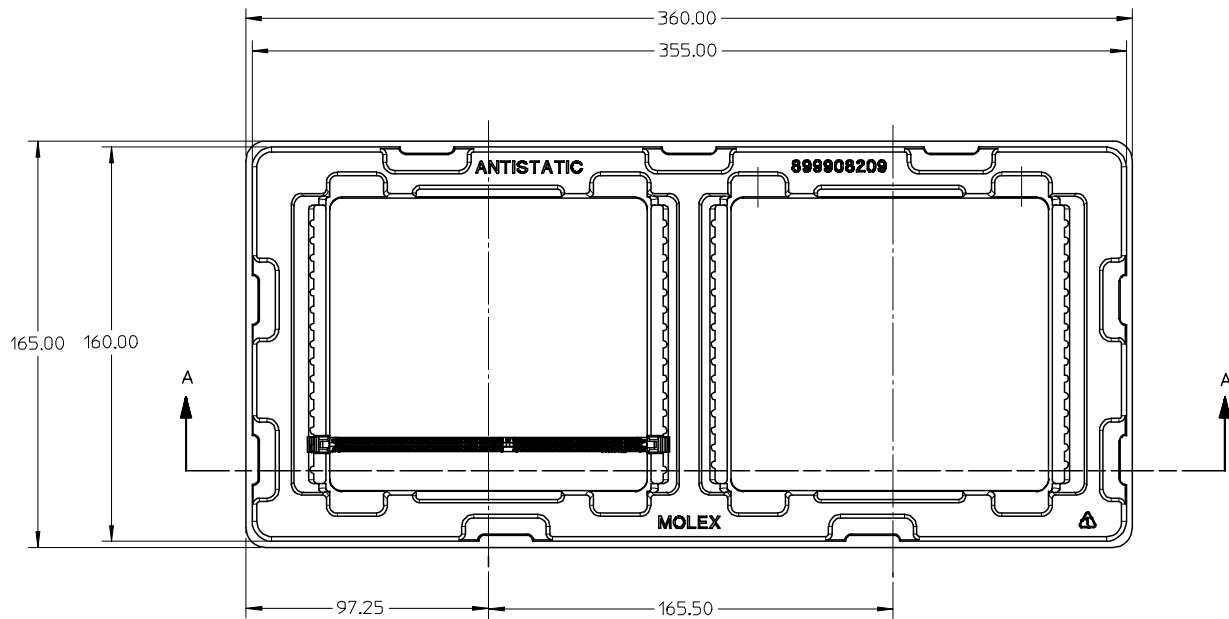
B

A

A

PART NO.	KEY POS.	DIM 'P'	RECOMMENDED PCB THICKNESS	PLATING OPTION	LATCH COLOUR
78061-0001	CENTER (1.8V)	2.67	1.57	0.38µM/15µIN MIN. GOLD ON CONTACT 2.54µM/100µIN MIN. PURE TIN (MATTE) ON SOLDERTAILS 1.27µM/50µIN MIN. NICKEL UNDERPLATE	NATURAL (OFF WHITE)
78061-0002		3.18	2.36		
78061-0011		2.67	1.57	0.76µM/30µIN MIN. GOLD ON CONTACT 2.54µM/100µIN MIN. PURE TIN (MATTE) ON SOLDERTAILS 1.27µM/50µIN MIN. NICKEL UNDERPLATE	
78061-0012		3.18	2.36		
78061-0051		2.67	1.57	0.38µM/15µIN MIN. GOLD ON CONTACT 2.54µM/100µIN MIN. PURE TIN (MATTE) ON SOLDERTAILS 1.27µM/50µIN MIN. NICKEL UNDERPLATE	BLACK
78061-0052		3.18	2.36		
78061-0061		2.67	1.57	0.76µM/30µIN MIN. GOLD ON CONTACT 2.54µM/100µIN MIN. PURE TIN (MATTE) ON SOLDERTAILS 1.27µM/50µIN MIN. NICKEL UNDERPLATE	
78061-0062		3.18	2.36		

TRAY DWG ADDED EC NO: S2007-0602 DRWN:CMTEO CHKD:SHLENI APPR:GGLLEE	2006/12/26 2006/12/26 2006/12/28	DESCRIPTION REV	QUALITY SYMBOLS	GENERAL TOLERANCES (UNLESS SPECIFIED)	DIMENSION STYLE	SCALE	DESIGN UNITS	THIRD ANGLE PROJECTION																		
			$\nabla = 0$ $\triangle = 0$	<table border="1"> <tr> <th></th> <th>mm</th> <th>INCH</th> </tr> <tr> <td>4 PLACES</td> <td>± ---</td> <td>± ---</td> </tr> <tr> <td>3 PLACES</td> <td>± ---</td> <td>± ---</td> </tr> <tr> <td>2 PLACES</td> <td>± 0.2</td> <td>± ---</td> </tr> <tr> <td>1 PLACE</td> <td>± ---</td> <td>± ---</td> </tr> <tr> <td colspan="3">ANGULAR ± 1 °</td> </tr> </table>		mm	INCH	4 PLACES	± ---	± ---	3 PLACES	± ---	± ---	2 PLACES	± 0.2	± ---	1 PLACE	± ---	± ---	ANGULAR ± 1 °			MM ONLY	NTS	METRIC	
				mm	INCH																					
			4 PLACES	± ---	± ---																					
3 PLACES	± ---	± ---																								
2 PLACES	± 0.2	± ---																								
1 PLACE	± ---	± ---																								
ANGULAR ± 1 °																										
DRAWN BY: JTAN CHECKED BY: SRRAMESH APPROVED BY: GGLEE	DATE: 2005/10/20 DATE: 2005/12/05 DATE: 2005/12/06	TITLE: FB DIMM, 1.00MM PITCH 240 CKTS, VERTICAL T/H																								
MATERIAL NO.		DOCUMENT NO.	SHEET NO.																							
SEE TABLE		SD-78061-001	4 OF 5																							



NOTES:
1. CAVITY QTY: 2 X 15 = 30 PCS

TRAY DWG ADDED
EC NO: S2007-0602
2006/12/26
DRWN:CMTEO
2006/12/26
CHKD:SHLENI
2006/12/26
APPR:GGLLEE
2006/12/26

REV	DESCRIPTION
A4	

QUALITY SYMBOLS	DESCRIPTION
$\nabla=0$	
$\nabla C=0$	

GENERAL TOLERANCES (UNLESS SPECIFIED)

	mm	INCH
4 PLACES	\pm ---	\pm ---
3 PLACES	\pm ---	\pm ---
2 PLACES	\pm 0.2	\pm ---
1 PLACE	\pm ---	\pm ---
ANGULAR \pm 1 °		

DRAFT WHERE APPLICABLE
MUST REMAIN
WITHIN DIMENSIONS

DIMENSION STYLE	
MM ONLY	
DRAWN BY	DATE
JTAN	2005/10/20
CHECKED BY	DATE
SRRAMESH	2005/12/05
APPROVED BY	DATE
GGLLEE	2005/12/06
MATERIAL NO.	
SEE TABLE	
SIZE	
A3	

SCALE	DESIGN UNITS	THIRD ANGLE PROJECTION
NTS	METRIC	THIRD ANGLE PROJECTION
TITLE		
FB DIMM, 1.00MM PITCH 240 CKTS, VERTICAL T/H		
MOLEX INCORPORATED		
DOCUMENT NO.		SHEET NO.
SD-78061-001		5 OF 5

THIS DRAWING CONTAINS INFORMATION THAT IS PROPRIETARY TO MOLEX INCORPORATED AND SHOULD NOT BE USED WITHOUT WRITTEN PERMISSION