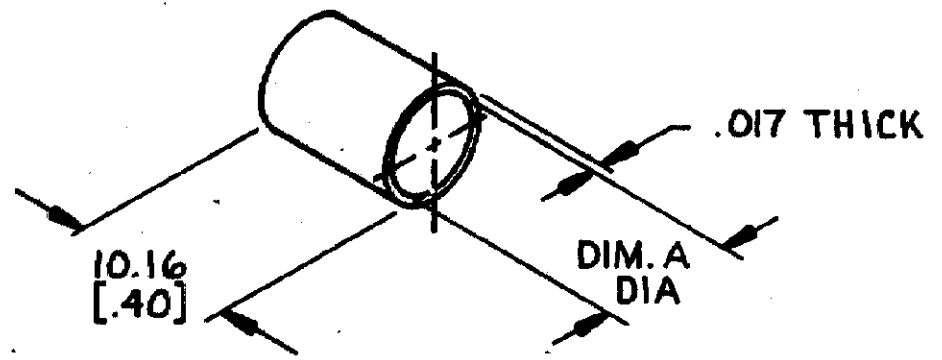


THIS DRAWING IS UNPUBLISHED. RELEASED FOR PUBLICATION

© COPYRIGHT 19 BY AMP INCORPORATED, HARRISBURG, PA. ALL INTERNATIONAL RIGHTS RESERVED. AMP PRODUCTS MAY BE COVERED BY U.S. AND FOREIGN PATENTS AND/OR PATENTS PENDING.

REVISIONS						
P	F	ZONE	LTR	DESCRIPTION	DATE	APPROVED
C			C	OBSOLETE:-5,-6 & -7; ECN AA-6958	1-8-91	LHS AH

1. DIMENSIONS IN BRACKETS [] ARE IN INCHES.



12.70	[.500]	554266-8
7.62	[.300]	554266-4
6.35	[.250]	554266-3
DIM. A		PART NO

METRIC

UNLESS OTHERWISE SPECIFIED DIMENSIONS ARE IN MM TOLERANCES ON: DECIMALS ± ANGLES ±	CONTRACT NO DR S. Posebanck 9-7-83		AMP AMP INCORPORATED Harrisburg, Pa.	
	CHK Mriel 9-9-83			
MATERIAL BRASS	APPD [Signature] 9/13/83	NAME FERRULE, INNER		
FINISH	APPR [Signature] 9/13/83	SIZE B	PSCM NO 00779	DRAWING NO 554266
	DSGN APPD	SCALE 2:1		SHEET 1 OF 1
	OTHER APPD			

CUSTOMER DRAWING