

PART NUMBER	REV	TERMINATOR	FEED TYPE	DESCRIPTION
1528571-1	C	LEADMAKER	MECH POST FEED	CUTS CARRIER
1528571-2	C	BENCH	MECH PRE FEED	CUTS CARRIER
1528571-6	C	LEADMAKER	MECH POST FEED	CONTINUOUS CARRIER
7-1528571-1	C	LEADMAKER	MECH POST FEED	-1 AND SPARE PARTS
7-1528571-2	C	BENCH	MECH PRE FEED	-2 AND SPARE PARTS
7-1528571-6	C	LEADMAKER	MECH POST FEED	-6 AND SPARE PARTS
7-1528571-7	A	-	-	SPARE PARTS KIT

CRIMP	SIZE	TYPE	RANGE
WIRE	1.57 [0.062 IN]	F	0.75 - 1.00mm <sup>2</sup>
INSUL	2.03 [0.080 IN]	SPECIAL	1.70-2.10mm [0.067-.083 IN]

WIRE STRIP LENGTH 3.1-3.4 mm [0.122-.134 IN]

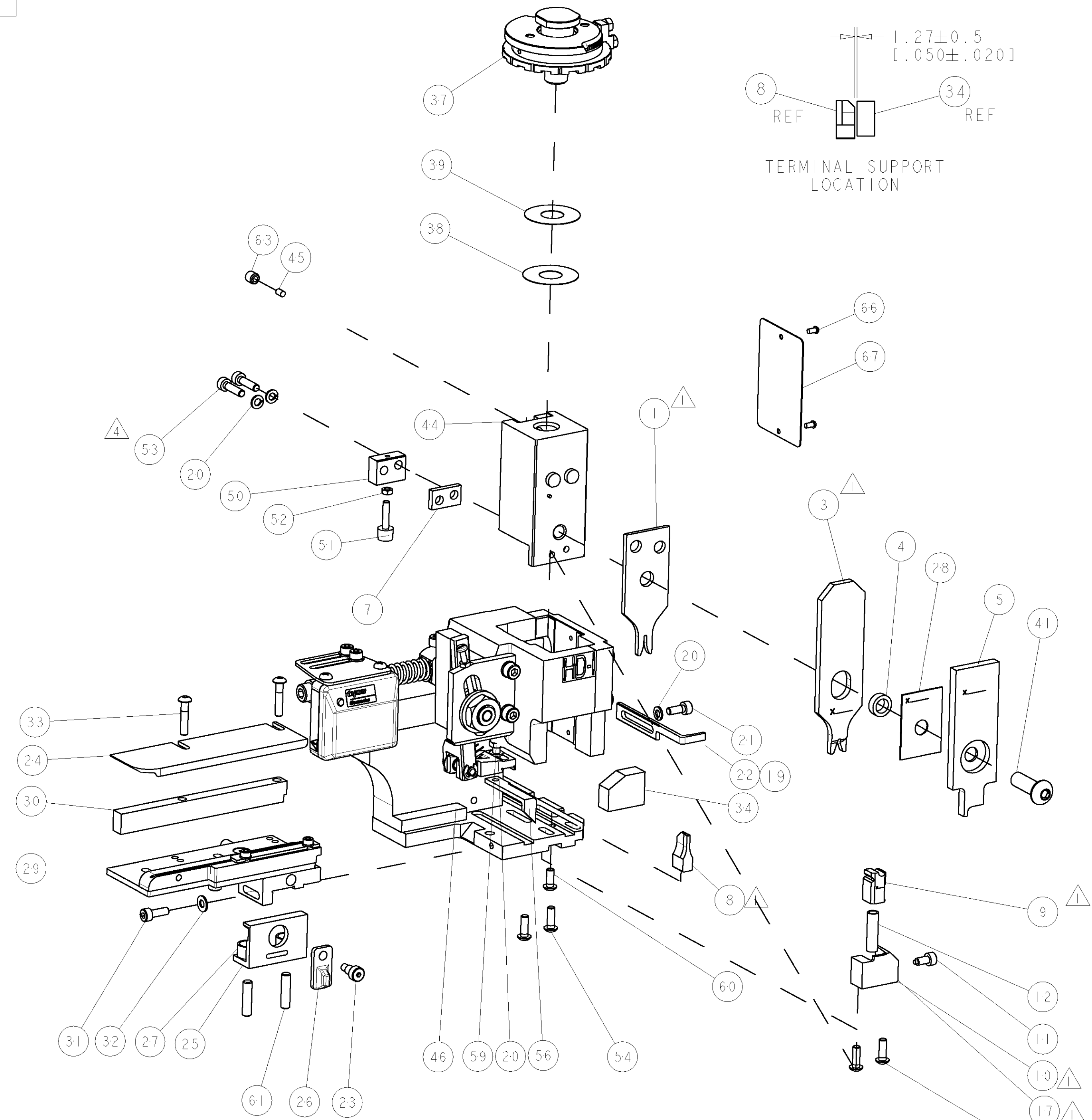
APPL INSTRUCTIONS 408-8322 & 408-8490

TERMINAL APPL SPEC	KOSTAL DATA SHT	FEED
MLK 1.2 FLY -		8.00 [0.315 IN]

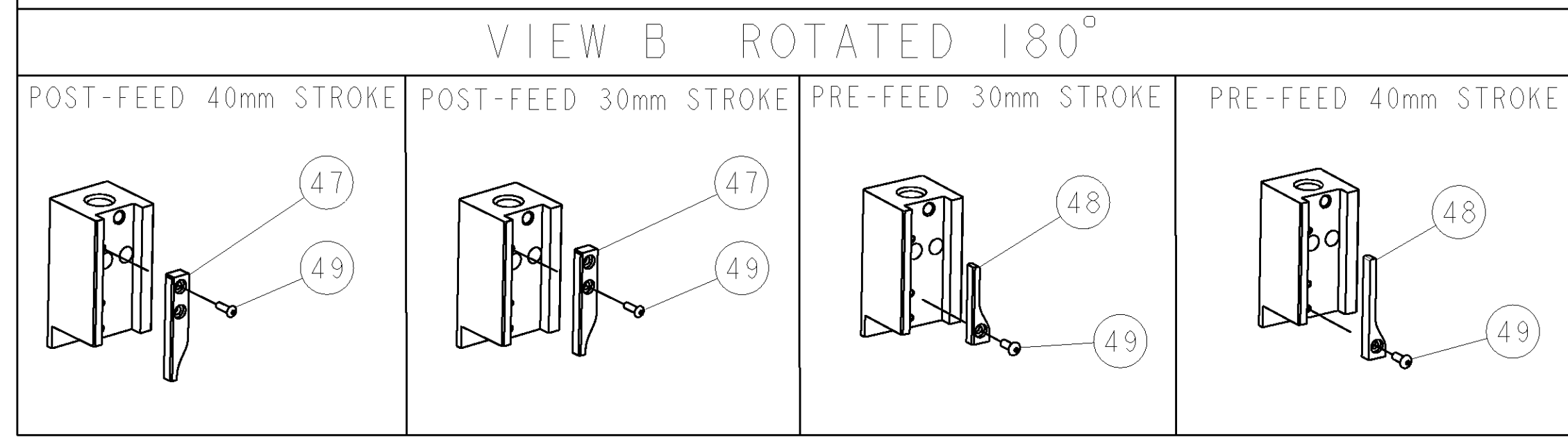
TE PN	MANUF PN		
1572794-1	22124614200	-	-
1572794-2	22125614200	-	-
1572794-3	22140614200	-	-
1572794-4	32124734080	-	-

WIRE SIZE	CRIMP HEIGHT	REF SETTING
1.00mm <sup>2</sup>	1.20 ±0.05 [0.047 ±.002 IN]	C 0
0.75mm <sup>2</sup>	1.10 ±0.05 [0.043 ±.002 IN]	D 0

- RECOMMENDED SPARE PARTS
- GREASE RAM, CAM, CAM FOLLOWER AND FEED ROD LIGHTLY
- LUBRICATE DAILY PER THE APPLICATOR INSTRUCTION SHEET SUPPLIED WITH THE APPLICATOR
- CUT TO LENGTH AT ASSEMBLY



\* WARNING  
ON INSTALLATION, SET WIRE DISC TO LARGEST WIRE SIZE SETTING. USE OF SETTINGS BELOW MIN. REQUIRED CRIMP HEIGHT SETTING WILL CAUSE DAMAGE TO CRIMP TOOLING.



-77	-76	-72	-71	-6	-2	-1	PART NO	DESCRIPTION	ITEM NO
-	-	-	-	-	-	-	-	-	84
-	-	-	-	-	-	-	-	-	83
-	-	-	-	-	-	-	-	-	82
-	-	-	-	-	-	-	-	-	81
-	-	-	-	-	-	-	-	-	80
-	-	-	-	-	-	-	-	-	79
-	-	-	-	-	-	-	-	-	78
-	-	-	-	-	-	-	-	-	77
-	-	-	-	-	-	-	-	-	76
-	-	-	-	-	-	-	-	-	75
-	-	-	-	-	-	-	-	-	74

LOC		DIST		REVISONS			
P	LTR	DESCRIPTION	DATE	BY	APPD		
A	66	SEE ECO-05-012632	31OCT2005	LJL	MC		
B		ECR-07-011323	14MAY2007	MY	TE		
C		ECR-07-026589	06NOV2007	MY	TE		

-	-	-	-	-	-	-	-	-	73
-	-	-	-	-	-	-	-	-	72
-	-	-	-	-	-	-	-	-	71
-	-	-	-	-	-	-	-	-	70
-	-	-	-	-	-	-	-	-	69
-	-	-	-	-	-	-	-	-	68
-	-	-	-	-	-	-	-	-	67
-	-	-	-	-	-	-	-	-	66
-	-	-	-	-	-	-	-	-	65
-	-	-	-	-	-	-	-	-	64
-	-	-	-	-	-	-	-	-	63
-	-	-	-	-	-	-	-	-	62
-	-	-	-	-	-	-	-	-	61
-	-	-	-	-	-	-	-	-	60
-	-	-	-	-	-	-	-	-	59
-	-	-	-	-	-	-	-	-	58
-	-	-	-	-	-	-	-	-	57
-	-	-	-	-	-	-	-	-	56
-	-	-	-	-	-	-	-	-	55
-	-	-	-	-	-	-	-	-	54
-	-	-	-	-	-	-	-	-	53
-	-	-	-	-	-	-	-	-	52
-	-	-	-	-	-	-	-	-	51
-	-	-	-	-	-	-	-	-	50
-	-	-	-	-	-	-	-	-	49
-	-	-	-	-	-	-	-	-	48
-	-	-	-	-	-	-	-	-	47
-	-	-	-	-	-	-	-	-	46
-	-	-	-	-	-	-	-	-	45
-	-	-	-	-	-	-	-	-	44
-	-	-	-	-	-	-	-	-	43
-	-	-	-	-	-	-	-	-	42
-	-	-	-	-	-	-	-	-	41
-	-	-	-	-	-	-	-	-	40
-	-	-	-	-	-	-	-	-	39
-	-	-	-	-	-	-	-	-	38
-	-	-	-	-	-	-	-	-	37
-	-	-	-	-	-	-	-	-	36
-	-	-	-	-	-	-	-	-	35
-	-	-	-	-	-	-	-	-	34
-	-	-	-	-	-	-	-	-	33
-	-	-	-	-	-	-	-	-	32
-	-	-	-	-	-	-	-	-	31
-	-	-	-	-	-	-	-	-	30
-	-	-	-	-	-	-	-	-	29
-	-	-	-	-	-	-	-	-	28
-	-	-	-	-	-	-	-	-	27
-	-	-	-	-	-	-	-	-	26
-	-	-	-	-	-	-	-	-	25
-	-	-	-	-	-	-	-	-	24
-	-	-	-	-	-	-	-	-	23
-	-	-	-	-	-	-	-	-	22
-	-	-	-	-	-	-	-	-	21
-	-	-	-	-	-	-	-	-	20
-	-	-	-	-	-	-	-	-	19
-	-	-	-	-	-	-	-	-	18
-	-	-	-	-	-	-	-	-	17
-	-	-	-	-	-	-	-	-	16
-	-	-	-	-	-	-	-	-	15
-	-	-	-	-	-	-	-	-	14
-	-	-	-	-	-	-	-	-	13
-	-	-	-	-	-	-	-	-	12
-	-	-	-	-	-	-	-	-	11
-	-	-	-	-	-	-	-	-	10
-	-	-	-	-	-	-	-	-	9
-	-	-	-	-	-	-	-	-	8
-	-	-	-	-	-	-	-	-	7
-	-	-	-	-	-	-	-	-	6
-	-	-	-	-	-	-	-	-	5
-	-	-	-	-	-	-	-	-	4
-	-	-	-	-	-	-	-	-	3
-	-	-	-	-	-	-	-	-	2
-	-	-	-	-	-	-	-	-	1

LOC	DIST	DESCRIPTION	ITEM NO						
-77	-76	-72	-71	-6	-2	-1	PART NO	DESCRIPTION	ITEM NO
-	-	-	-	-	-	-	-	-	84
-	-	-	-	-	-	-	-	-	83
-	-	-	-	-	-	-	-	-	82
-	-	-	-	-	-	-	-	-	81
-	-	-	-	-	-	-	-	-	80
-	-	-	-	-	-	-	-	-	79
-	-	-	-	-	-	-	-	-	78
-	-	-	-	-	-	-	-	-	77
-	-	-	-	-	-	-	-	-	76
-	-	-	-	-	-	-	-	-	75
-	-	-	-	-	-	-	-	-	74

APPROVED	DATE	NAME	PRODUCT SPEC
	06-Nov-07	E. BACKHURST	

APPROVED	DATE	NAME	APPLICATION SPEC
	06-Nov-07	E. BACKHURST	

SIZE	CAGE CODE	DRAWING NO	RESTRICTED TO
A1	00779	C=1528571	

CUSTOMER DRAWING	SCALE	SHEET	OF	REV
	3:5	1	1	C