



STS4DNFS30

N-channel - 30V - 0.044Ω - 4.5A SO-8
STripFET™ Power MOSFET plus schottky rectifier

General features

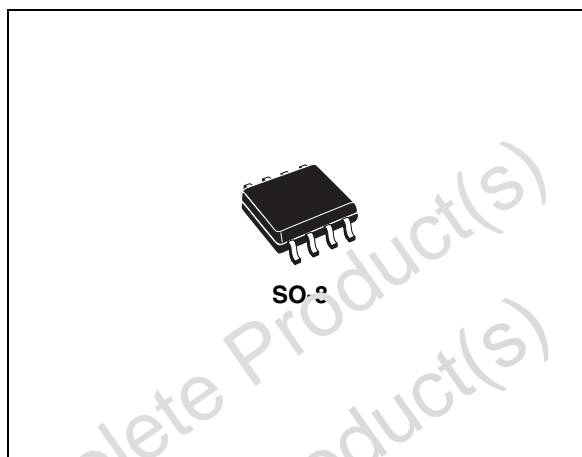
Type	V _{DSS}	R _{DS(on)}	I _D
STS4DNFS30	30V	<0.055Ω	4.5A
Schottky	I _{F(AV)}	V _{RRM}	V _{F(MAX)}
	4.5A	30V	0.53V

Description

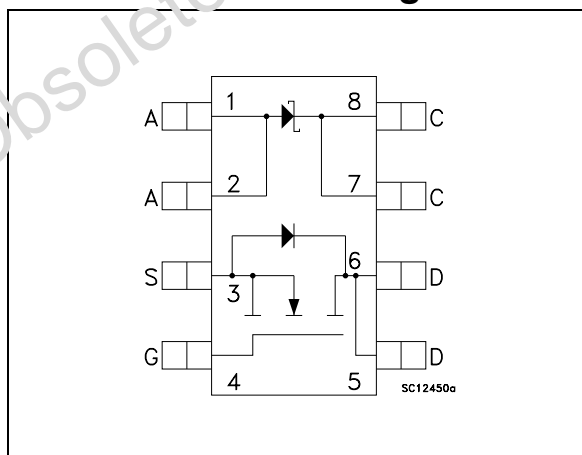
This product associates the latest low voltage STripFET™ in n-channel version to a low drop Schottky diode. Such configuration is extremely versatile in implementing a large variety of DC-DC converters for printers, portable equipment.

Applications

- Switching application



Internal schematic diagram



Order codes

Part number	Marking	Package	Packaging
STS4DNFS30	S4DNFS30	SO-8	Tape & reel

Contents

1	Electrical ratings	3
2	Electrical characteristics	4
2.1	Electrical characteristics (curves)	6
3	Test circuits	8
4	Package mechanical data	9
5	Revision history	11

Obsolete Product(s) - Obsolete Product(s)
Obsolete Product(s) - Obsolete Product(s)

1 Electrical ratings

Table 1. Mosfet absolute maximum ratings

Symbol	Parameter	Value	Unit
V_{DS}	Drain-source voltage ($V_{GS} = 0$)	30	V
V_{GS}	Gate- source voltage	± 20	V
I_D	Drain current (continuous) at $T_C = 25^\circ\text{C}$	4.5	A
I_D	Drain current (continuous) at $T_C = 100^\circ\text{C}$	3.2	A
$I_{DM}^{(1)}$	Drain current (pulsed)	13	A
P_{TOT}	Total dissipation at $T_C = 25^\circ\text{C}$	2	W

1. Pulse width limited by safe operating area

Table 2. Schottky absolute maximum ratings

Symbol	Parameter		Value	Unit
V_{RRM}	Repetitive peak reverse voltage		30	V
$I_{F(RMS)}$	RMS forward current		10	A
$I_{F(AV)}$	Average forward current	$T_L=125^\circ\text{C}$ $\delta=0.5$	4	A
I_{FSM}	Surge non repetitive forward current	$t_p=10\text{ms}$ Sinusoidal	75	A
I_{RRM}	Repetitive peak reverse current	$t_p=2\mu\text{s}$ $F=1\text{kHz}$	1	A
I_{RSM}	Non repetitive peak reverse current	$t_p=100\mu\text{s}$	1	A
dv/dt	Critical rate of rise of reverse voltage		10000	v/ μs

Table 3. Thermal data

Symbol	Parameter	Value	Unit
$R_{thj-amb}$	Thermal resistance junction-amb Mosfet ⁽¹⁾	62.5	$^\circ\text{C}/\text{W}$
T_{stg}	Storage temperature range Max	-55 to 150	$^\circ\text{C}$
T_j	Junction temperature	-55 to 150	$^\circ\text{C}$

1. Mounted on FR-4 board (steady state)

2 Electrical characteristics

(T_{case} = 25°C unless otherwise specified)

Table 4. On /off states

Symbol	Parameter	Test conditions	Min.	Typ.	Max.	Unit
V _{(BR)DSS}	Drain-source breakdown voltage	I _D = 250μA, V _{GS} = 0	30			V
I _{DSS}	Zero gate voltage drain current (V _{GS} = 0)	V _{DS} = Max rating V _{DS} = Max rating, T _C = 125°C			1 10	μA μA
I _{GSS}	Gate-body leakage current (V _{DS} = 0)	V _{GS} = ± 20V			± 100	nA
V _{GS(th)}	Gate threshold voltage	V _{DS} = V _{GS} , I _D = 250μA	1			V
R _{DS(on)}	Static drain-source on resistance	V _{GS} = 10V, I _D = 2A V _{GS} = 5V, I _D = 2A		0.044	0.055 0.085	Ω Ω

Table 5. Static

Symbol	Parameter	Test conditions	Min.	Typ.	Max.	Unit
I _R (1)	Reverse leakage current	T _j = 25°C T _j = 100°C V _R = V _{RRM}		6	200 15	μA mA
V _F (1)	Zero gate voltage drain current (V _{GS} = 0)	T _j = 25°C T _j = 125°C I _F = 2A		0.325	0.45 0.375	V V
		T _j = 25°C T _j = 125°C I _F = 4A		0.43	0.53 0.51	V V

1. Pulse test: tp = 380μs, δ < 2%. To evaluate the conduction losses use the following equation:

$$P = 0.24 \times I_{F(AV)} + 0.068 I_{F^2(RMS)}$$

Table 6. Dynamic

Symbol	Parameter	Test conditions	Min.	Typ.	Max.	Unit
g _{fs}	Forward transconductance	V _{DS} = 10V, I _D = 2A		5		S
C _{iss}	Input capacitance	V _{DS} = 25 V, f = 1 MHz, V _{GS} = 0		330		pF
C _{oss}	Output capacitance			115		pF
C _{rss}	Reverse transfer capacitance			28		pF
Q _g	Total gate charge	V _{DD} = 15V, I _D = 4.5A,		4.7		nC
Q _{gs}	Gate-source charge	V _{GS} = 5V		1.2		nC
Q _{gd}	Gate-drain charge	(see Figure 13)		2.1		nC

Table 7. Switching times

Symbol	Parameter	Test Conditions	Min.	Typ.	Max	Unit
$t_{d(on)}$ t_r	Turn-on delay time Rise time	$V_{DD} = 15V$, $I_D = 2A$, $R_G = 4.7\Omega$, $V_{GS} = 5V$ (see Figure 12)		9 17		ns ns
$t_{d(off)}$ t_f	Turn-off delay time Fall time	$V_{DD} = 15V$, $I_D = 2A$, $R_G = 4.7\Omega$, $V_{GS} = 5V$ (see Figure 12)		15 6		ns ns

Table 8. Source drain diode

Symbol	Parameter	Test Conditions	Min.	Typ.	Max	Unit
I_{SD}	Source-drain current				4.5	A
$I_{SDM}^{(1)}$	Source-drain current (pulsed)				13	A
$V_{SD}^{(2)}$	Forward on voltage	$I_{SD} = 4.5A$, $V_{GS} = 0$			1.2	V
t_{rr}	Reverse recovery time	$I_{SD} = 4.5A$, $di/dt = 100A/\mu s$		22		ns
Q_{rr}	Reverse recovery charge	$V_{DD} = 15V$, $T_J = 150^\circ C$		14.3		nC
I_{RRM}	Reverse recovery current	(see Figure 17)		1.3		A

1. Pulse width limited by safe operating area

2. Pulsed: Pulse duration = 300 μs , duty cycle 1.5%

2.1 Electrical characteristics (curves)

Figure 1. Safe operating area

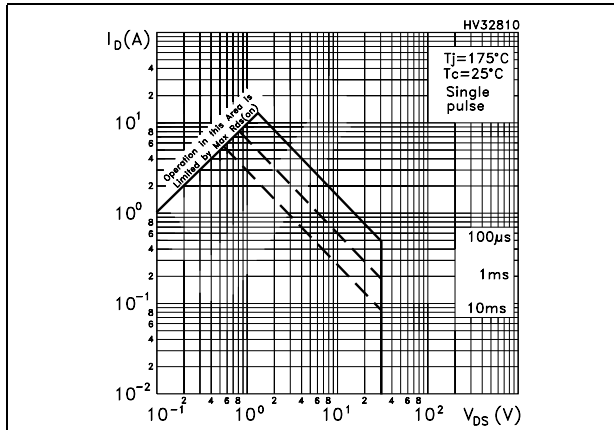


Figure 2. Thermal impedance

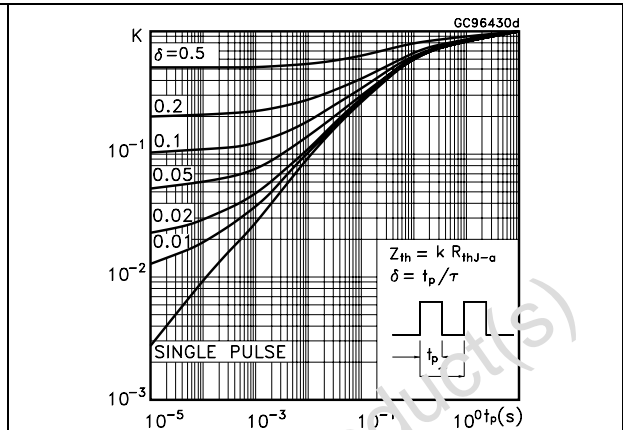


Figure 3. Output characteristics

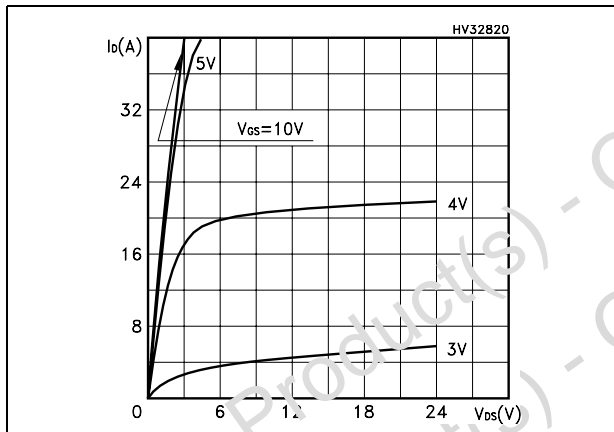


Figure 4. Transfer characteristics

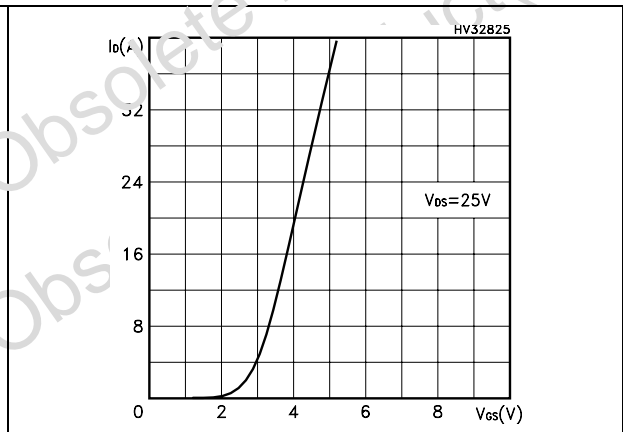


Figure 5. Source-drain diode forward characteristics

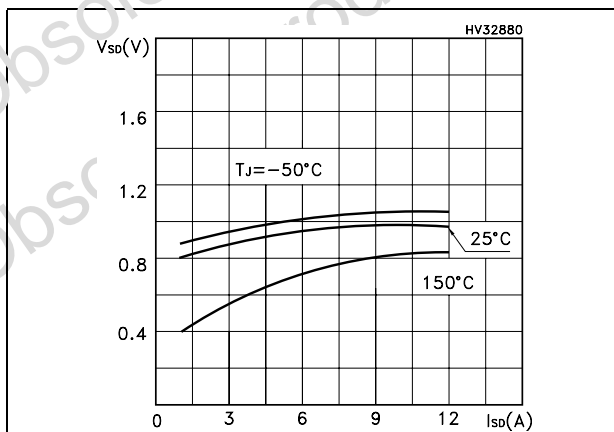


Figure 6. Static drain-source on resistance

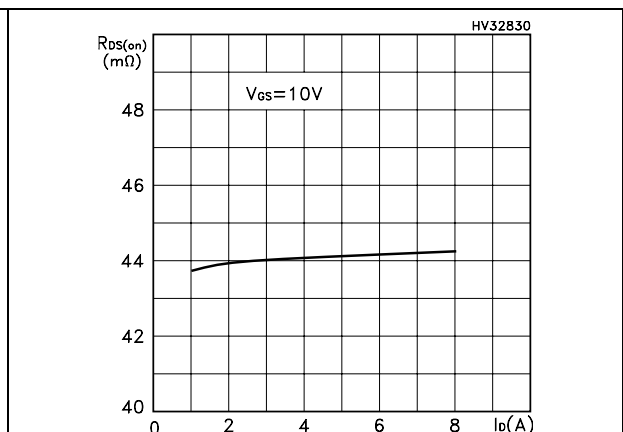


Figure 7. Gate charge vs gate-source voltage Figure 8. Capacitance variations

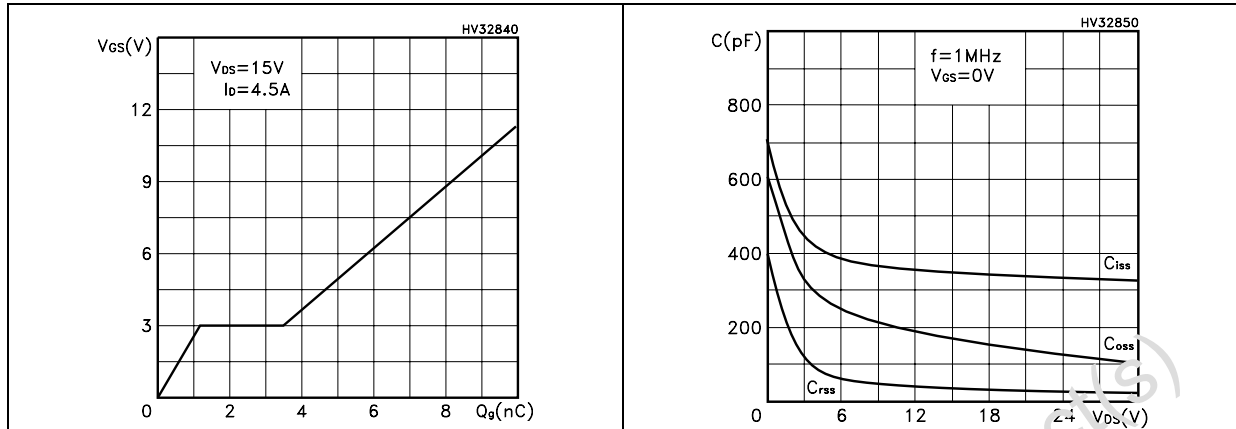


Figure 9. Normalized gate threshold voltage vs temperature Figure 10. Normalized on resistance vs temperature

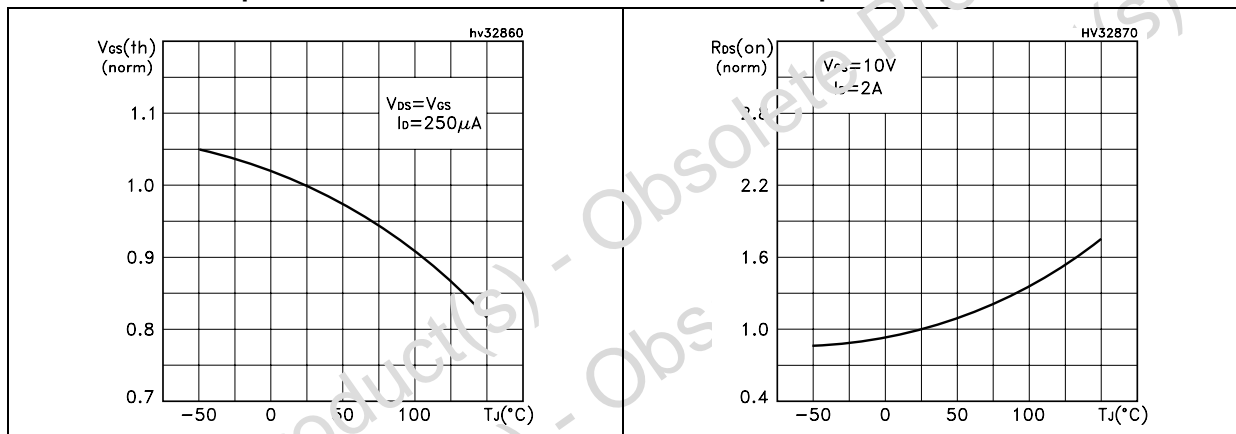
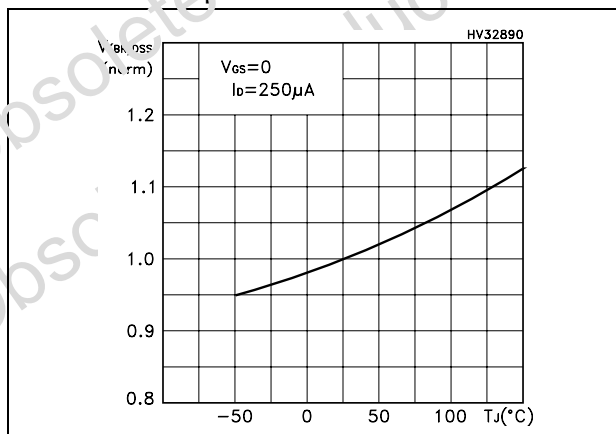


Figure 11. Normalized BV_{DSS} voltage vs temperature



3 Test circuits

Figure 12. Switching times test circuit for resistive load

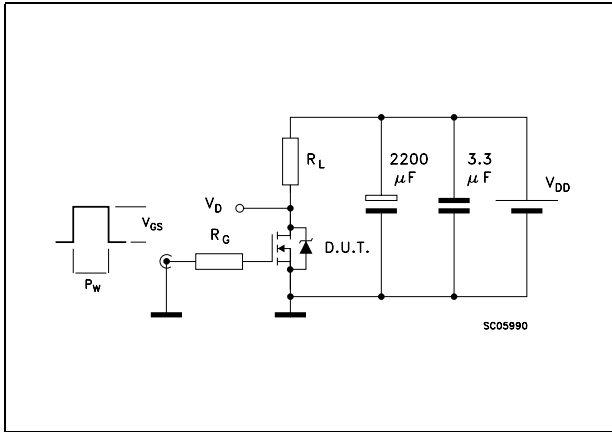


Figure 13. Gate charge test circuit

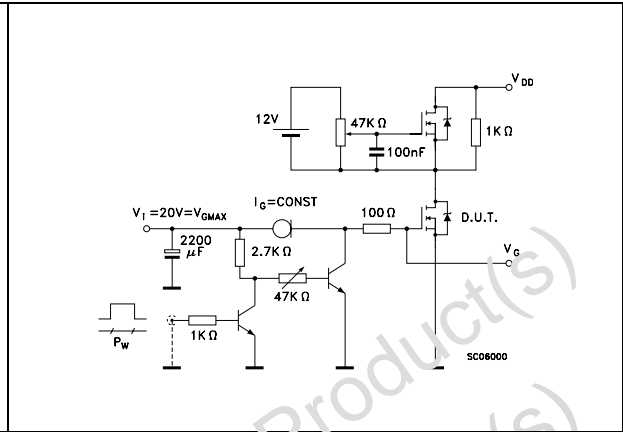


Figure 14. Test circuit for inductive load switching and diode recovery times

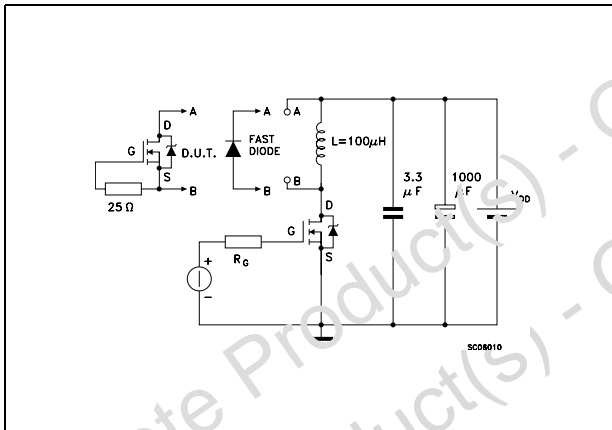


Figure 15. Unclamped inductive load test circuit

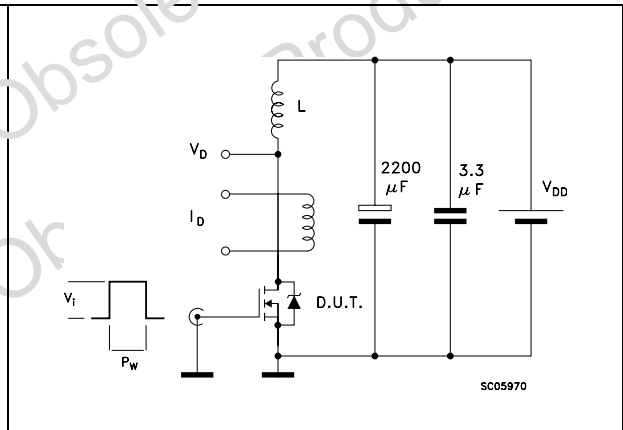


Figure 16. Unclamped inductive waveform

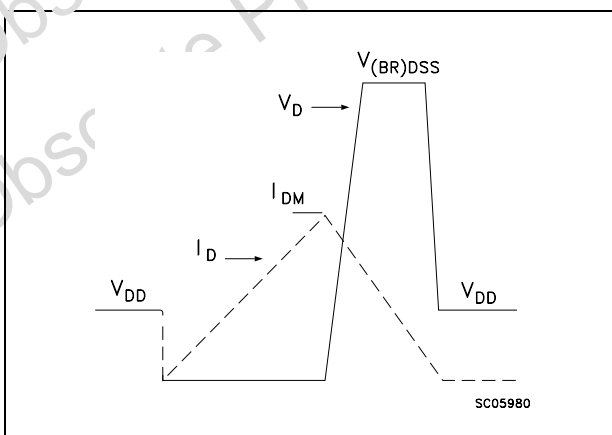
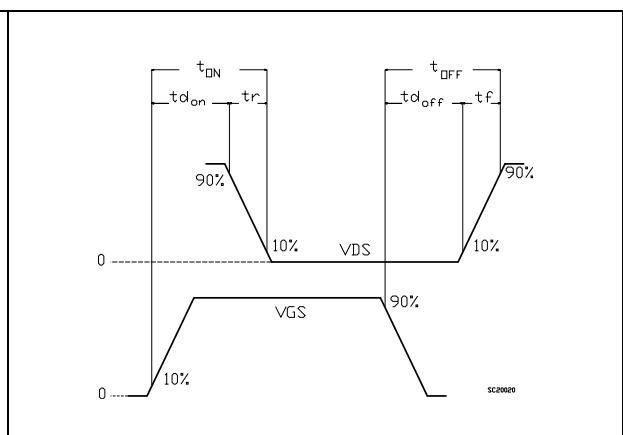


Figure 17. Switching time waveform



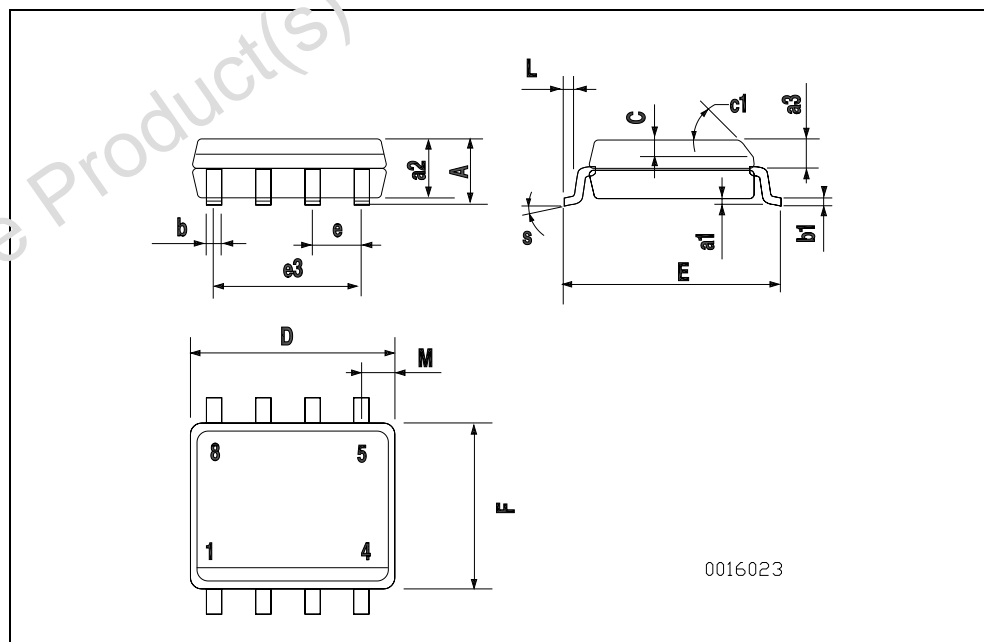
4 Package mechanical data

In order to meet environmental requirements, ST offers these devices in ECOPACK® packages. These packages have a Lead-free second level interconnect . The category of second level interconnect is marked on the package and on the inner box label, in compliance with JEDEC Standard JESD97. The maximum ratings related to soldering conditions are also marked on the inner box label. ECOPACK is an ST trademark. ECOPACK specifications are available at: www.st.com

Obsolete Product(s) - Obsolete Product(s)
Obsolete Product(s) - Obsolete Product(s)

SO-8 MECHANICAL DATA

DIM.	mm.			inch		
	MIN.	TYP.	MAX.	MIN.	TYP.	MAX.
A			1.75			0.068
a1	0.1		0.25	0.003		0.009
a2			1.65			0.064
a3	0.65		0.85	0.025		0.033
b	0.35		0.48	0.013		0.018
b1	0.19		0.25	0.007		0.010
C	0.25		0.5	0.010		0.019
c1	45 (typ.)					
D	4.8		5.0	0.188		0.196
E	5.8		6.2	0.228		0.244
e		1.27			0.050	
e3		3.81			0.150	
F	3.8		4.0	0.14		0.157
L	0.4		1.27	0.015		0.050
M			0.6			0.023
S	8 (max.)					



5 Revision history

Table 9. Revision history

Date	Revision	Changes
19-Jul-2005	1	First release

Obsolete Product(s) - Obsolete Product(s)
Obsolete Product(s) - Obsolete Product(s)

Please Read Carefully:

Information in this document is provided solely in connection with ST products. STMicroelectronics NV and its subsidiaries ("ST") reserve the right to make changes, corrections, modifications or improvements, to this document, and the products and services described herein at any time, without notice.

All ST products are sold pursuant to ST's terms and conditions of sale.

Purchasers are solely responsible for the choice, selection and use of the ST products and services described herein, and ST assumes no liability whatsoever relating to the choice, selection or use of the ST products and services described herein.

No license, express or implied, by estoppel or otherwise, to any intellectual property rights is granted under this document. If any part of this document refers to any third party products or services it shall not be deemed a license grant by ST for the use of such third party products or services, or any intellectual property contained therein or considered as a warranty covering the use in any manner whatsoever of such third party products or services or any intellectual property contained therein.

UNLESS OTHERWISE SET FORTH IN ST'S TERMS AND CONDITIONS OF SALE ST DISCLAIMS ANY EXPRESS OR IMPLIED WARRANTY WITH RESPECT TO THE USE AND/OR SALE OF ST PRODUCTS INCLUDING WITHOUT LIMITATION IMPLIED WARRANTIES OF MERCHANTABILITY, FITNESS FOR A PARTICULAR PURPOSE (AND THEIR EQUIVALENTS UNDER THE LAWS OF ANY JURISDICTION), OR INFRINGEMENT OF ANY PATENT, COPYRIGHT OR OTHER INTELLECTUAL PROPERTY RIGHT.

UNLESS EXPRESSLY APPROVED IN WRITING BY AN AUTHORIZED ST REPRESENTATIVE, ST PRODUCTS ARE NOT RECOMMENDED, AUTHORIZED OR WARRANTED FOR USE IN MILITARY, AIR CRAFT, SPACE, LIFE SAVING, OR LIFE SUSTAINING APPLICATIONS, NOR IN PRODUCTS OR SYSTEMS WHERE FAILURE OR MALFUNCTION MAY RESULT IN PERSONAL INJURY, DEATH, OR SEVERE PROPERTY OR ENVIRONMENTAL DAMAGE. ST PRODUCTS WHICH ARE NOT SPECIFIED AS "AUTOMOTIVE GRADE" MAY ONLY BE USED IN AUTOMOTIVE APPLICATIONS AT USER'S OWN RISK.

Resale of ST products with provisions different from the statements and/or technical features set forth in this document shall immediately void any warranty granted by ST for the ST product or service described herein and shall not create or extend in any manner whatsoever, any liability of ST.

ST and the ST logo are trademarks or registered trademarks of ST in various countries.

Information in this document supersedes and replaces all information previously supplied.

The ST logo is a registered trademark of STMicroelectronics. All other names are the property of their respective owners.

© 2006 STMicroelectronics - All rights reserved

STMicroelectronics group of companies

Australia - Belgium - Brazil - Canada - China - Czech Republic - Finland - France - Germany - Hong Kong - India - Israel - Italy - Japan - Malaysia - Malta - Morocco - Singapore - Spain - Sweden - Switzerland - United Kingdom - United States of America

www.st.com