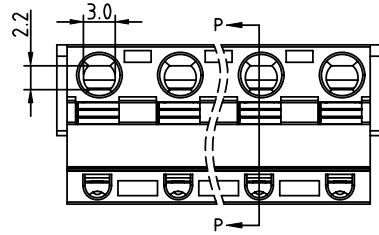


PRODUCT NUMBER	PITCH
H5xx00x000J0G	7.62 mm



Dimension

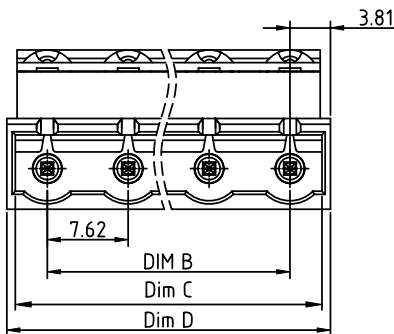
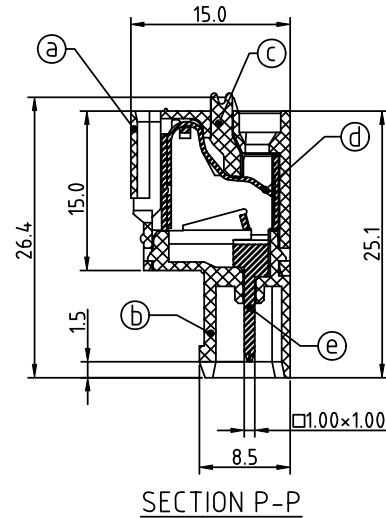
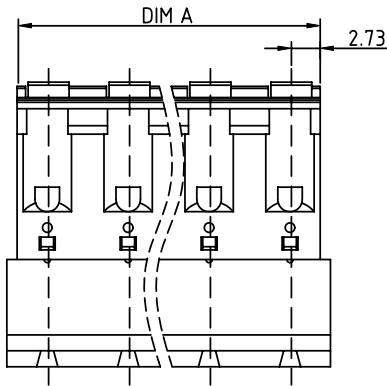
DIM A	$(N-1) \times 7.62 + 5.7$
DIM B	$(N-1) \times 7.62$
DIM C	$(N-1) \times 7.62 + 6.02$
DIM D	$N \times 7.62$

N=Number of poles

POLES	Tolerance
2p-6p	± 0.20
7p-12p	± 0.30
13p-16p	± 0.40

PART NO.: H5 xx 0 0 x 0 00J0 G

Solid block	0	Black (RAL9005)	RoHS compliant (lead<4%) In copper Alloy
No. of poles	2	Red (RAL3001/D)	
02 2 poles	3	Orange(RAL2011/P)	
03 3 poles	4	Yellow(RAL1018/A)	
...	...	5 Green(RAL6018/T)	
16 16 poles	6	Blue (RAL5015/A)	
	8	Grey(RAL7035/D)	
	9	White(RAL1102)	
	C	Green(RAL6018/U)	



Material:

- Item@ Top body: Thermoplastic (UL94V-0)
- Itemⓐ Bottom body: Thermoplastic (UL94V-0)
- Itemⓐ Terminal lever: Thermoplastic (UL94V-0) Orange (RAL2001/P)
- Itemⓐ Spring Clamp: Stainless Steel
- Itemⓐ Male contact pin: PhBz (CuSn) Tin plated

Electrical cULus

- Voltage rating: 300V
- Current rating: 10A
- Solid wire (AWG): 12-26
- Stranded wire (AWG): 12-26
- Wire strip length: 9-10mm
- Withstanding Voltage: 1.6KV
- Operating temperature: -40°C to +115°C
- Safety Approval:

mat'l. code		surface ASME Y14.5 ✓	tolerance ASME Y14.5	projection 	product family TERMINAL BLOCK
ltr	ecn no	dr	date	MM ← →	title TERMINAL BLOCK SPRING CLAMP, PLUGGABLE PLUG MALE CONNECTOR
tolerances unless otherwise specified					
angles		$X \pm 0.5$	$X.X \pm 0.3$	scale	dwg no H5xx00x000J0G
$X^{\circ} \pm 1^{\circ}$		$X.XX \pm 0.1$			
dr		EVIN ZHONG	051714		size A4
enr		EVIN ZHONG	051714		type CUSTOMER Drawing
chr		HANKE FENG	051714		
appd		SHI JUN	051714		
sheet index	revision sheet	A	1		