

PART NAME: 1/4" BAR KNOB SCALE: 1:1 DATE: 11/18/51 DR. BY JC



DESIGNERS & MANUFACTURERS
OF KNOBS, HANDLES, CASES &
CUSTOM PLASTIC COMPONENTS

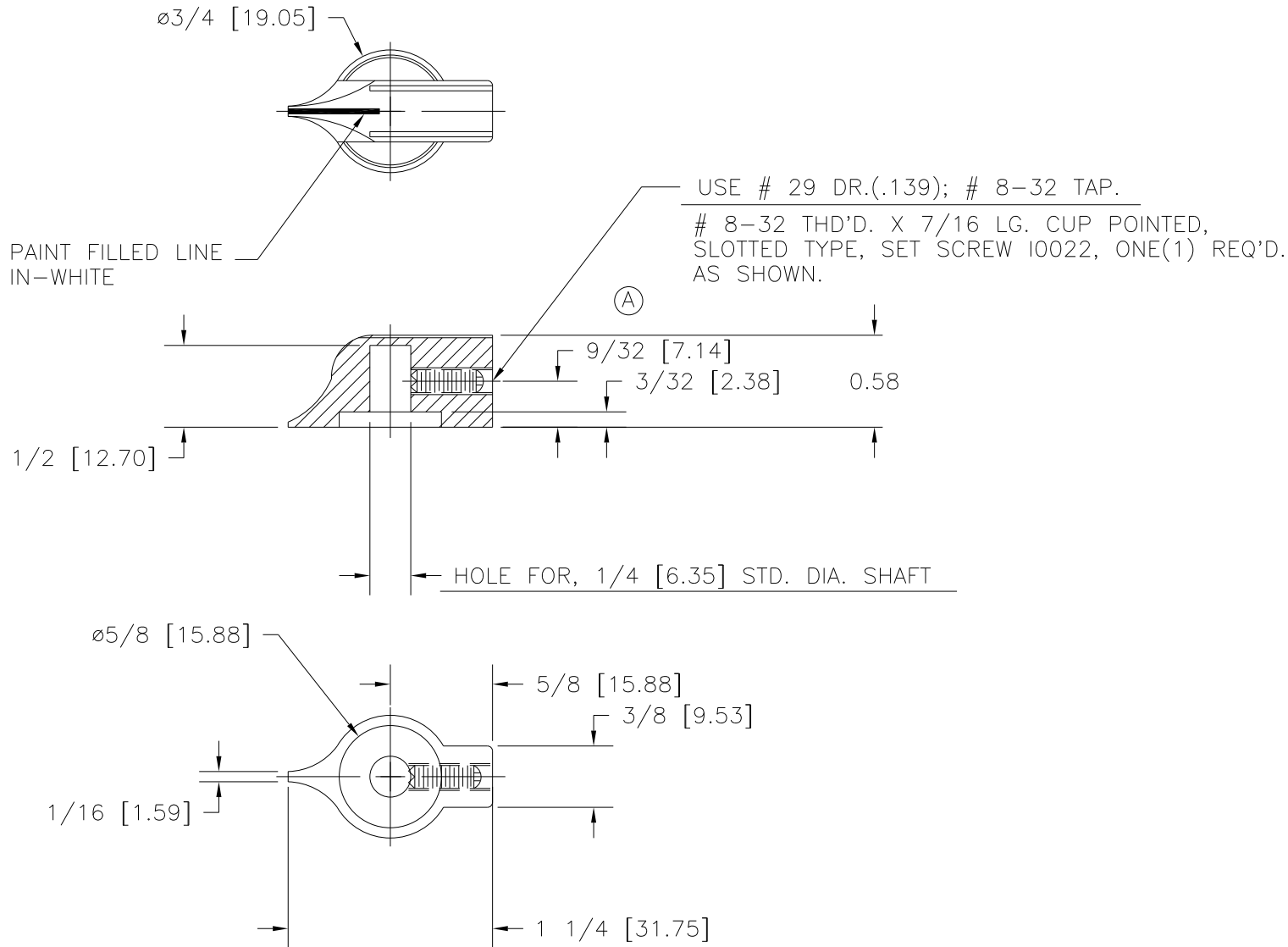
P/N 2150-V

THIS DRAWING IS THE PROPERTY OF DAVIES MOLDING COMPANY, IS SUBMITTED SOLELY AS A DESIGN OR ENGINEERING PROJECT.
WE ACCEPT NO RESPONSIBILITY WHATSOEVER FOR THE PRACTICAL APPLICATION OF THE PIECES MADE TO THIS DESIGN.

CAD/REDRAWN : 5/22/92 : HD (B)

BASE PART 2150-01

SET SCREW I0022



MATERIAL: #4311 PLENCO PHENOLIC (B41)
COLOR: BLACK

| | | | | |
|---|----------------------------------|---------|--------------------|-------------|
| TOLERANCES: UNLESS OTHERWISE SPECIFIED | DO NOT SCALE DRAWING | | | |
| DECIMALS: X.XXX ± .005 X.XX ± .015 | MM: X.XX ± 0.15MM X.X ± 0.4MM | B | ADDED BASE PART | JAM 5/30/14 |
| | | A | WAS 7/32 | HM 6/12/42 |
| FRACTIONS ± 1/64 | ANG. ± 1° | CHANGES | | |