

4

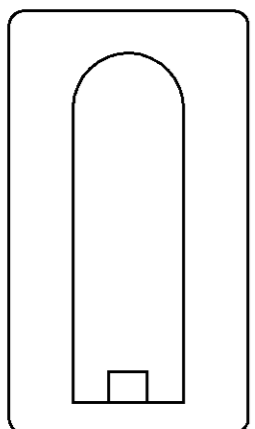
3

2

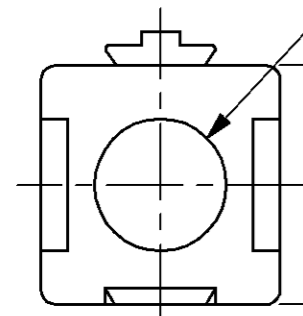
1

THIS DRAWING IS UNPUBLISHED. RELEASED FOR PUBLICATION, 19 .
 © COPYRIGHT 19 BY AMP INCORPORATED. ALL RIGHTS RESERVED.

LOC	DIST	REVISIONS			
P	LTR	DESCRIPTION	DATE	DWN	APVD
FT	60	E	REDRAWN & REV PER EC 0320-74-97	10 APR 97	-

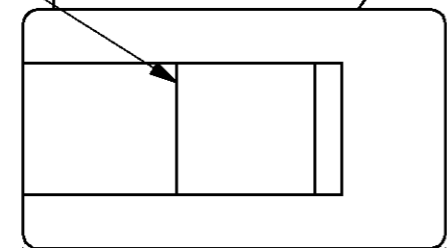


7.92
[.312]

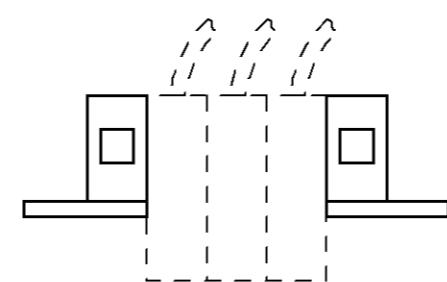


7.92
[.312]

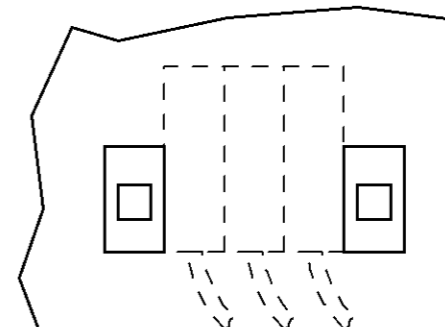
#8 CLEARANCE HOLE THRU



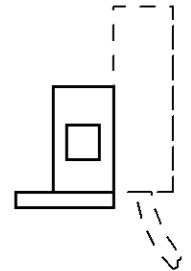
13.97
[.550]



TYP THRU PANEL
HOLE PATTERN



TYP SURFACE
MTG PATTERN



TYP VERTICAL
MOUNT

54315-1
PART
NUMBER

THIS DRAWING IS A CONTROLLED DOCUMENT.		DWN M. BINNER	10 APR 97	AMP AMP Incorporated Harrisburg, PA 17105-3608
DIMENSIONS: mm [INCHES]		CHK R. STONE	24 APR 97	
TOLERANCES UNLESS OTHERWISE SPECIFIED:		APVD M. MCALONIS	22 MAY 97	
	0 PLC ±-	NAME		MOUNTING ADAPTER, SERIES 1, POWER LOCK
	1 PLC ±-	PRODUCT SPEC		
	2 PLC ±0.38 [.015]	108-11026		
	3 PLC ±-	APPLICATION SPEC		
	4 PLC ±-	114-6032		SIZE
	ANGLES ±-	WEIGHT		CAGE CODE
MATERIAL POLYCARBONATE, RED	FINISH -	CUSTOMER DRAWING		DRAWING NO
				A300779
				C-54315
				RESTRICTED TO
				-
				SCALE 4:1
				SHEET 1 OF 1
				REV E