

4

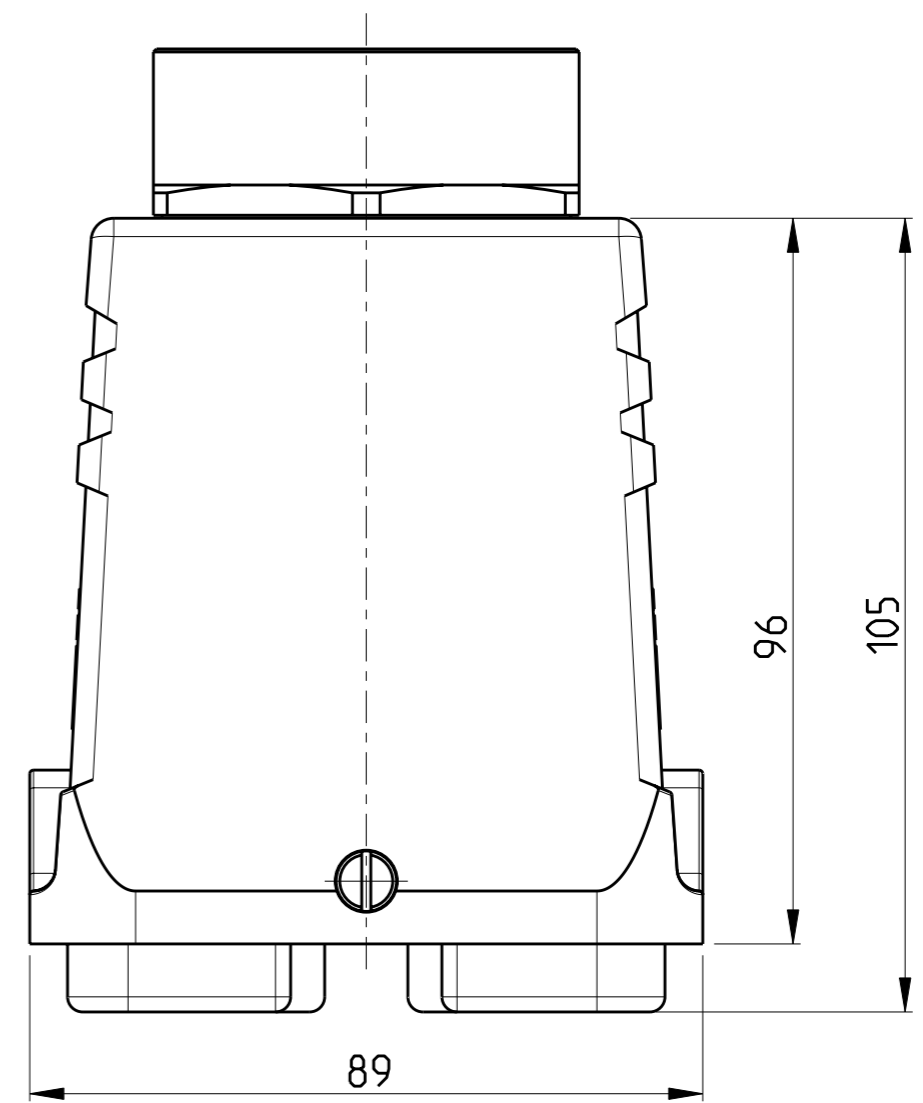
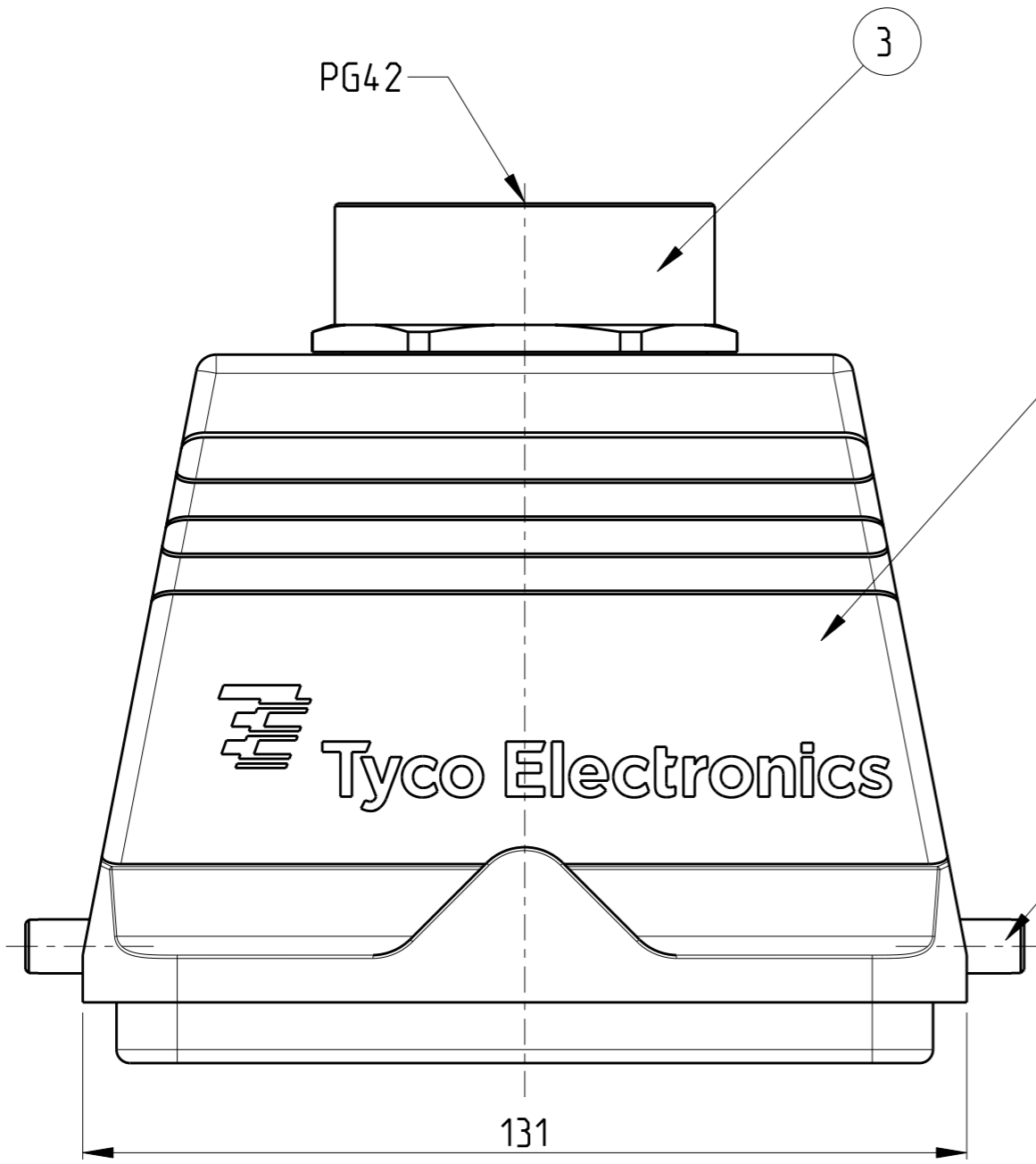
3

2

1

THIS DRAWING IS UNPUBLISHED. RELEASED FOR PUBLICATION 2006
 © COPYRIGHT 2006 BY TYCO ELECTRONICS CORPORATION. ALL RIGHTS RESERVED.

| LOC | DIST | REVISIONS | | | | |
|-----|------|-------------|---------------------------------|-------------|------|----|
| P | LTR | DESCRIPTION | DATE | DWN | APVD | |
| A1 | - | A2 | new pro/E drawing ECR-08-022832 | 16 JUL 2008 | SR | ST |



| 1-7 | DESCRIPTION | MATERIAL | SURFACE | COLOR | ITEM |
|-----|-------------|---------------|---------------|-------|------|
| 1 | ADAPTOR | BRASS | NICKEL PLATED | BLUE | 3 |
| 2 | CLIP BOLT | STEEL | ZINCPLATED | BLUE | 2 |
| 1 | HOOD HB | ALUMINIUM/ALU | | GREY | 1 |

HB.48.STO-GR.1.42.Z

NOTES

- 1 PART SHALL BE FREE AND CLEAN OF BURRS AND OTHER FOREIGN MATERIAL
- 2 PACKAGING: QUANTITY 3 PIECES
- 3 VARNISHING INSIDE HOUSING NOT REQUIRED

| | | | |
|---|---|---|--|
| <small>THIS DRAWING IS A CONTROLLED DOCUMENT FOR TYCO ELECTRONICS CORPORATION IT IS SUBJECT TO CHANGE AND THE CONTROLLING ENGINEERING ORGANIZATION SHOULD BE CONTACTED FOR THE LATEST REVISION.</small> | | DWN R.SCHNEIDER 16 JUL 2008 CHK T.SCHNURPFEL 16 JUL 2008 APVD - PRODUCT SPEC - APPLICATION SPEC - WEIGHT - | Tyco Electronics tyco Electronics AMP GmbH 53819 Neunkirchen (Germany) |
| DIMENSIONS: mm | TOLERANCES UNLESS OTHERWISE SPECIFIED: 0 PLC ±- 1 PLC ±- 2 PLC ±- 3 PLC ±- 4 PLC ±- ANGLES ±1° MATERIAL - FINISH - | NAME HOOD HB.48.STO-GR.1.42.Z SIZE A3 CAGE CODE 00779 DRAWING NO C-1102387 RESTRICTED TO - | |
| CUSTOMER DRAWING | | SCALE 1:1 | SHEET 1 OF 1 REV A2 |