

MATERIALS AND FINISHES

OUTER CONTACT: BRASS  
PLATED NICKEL OR GOLD

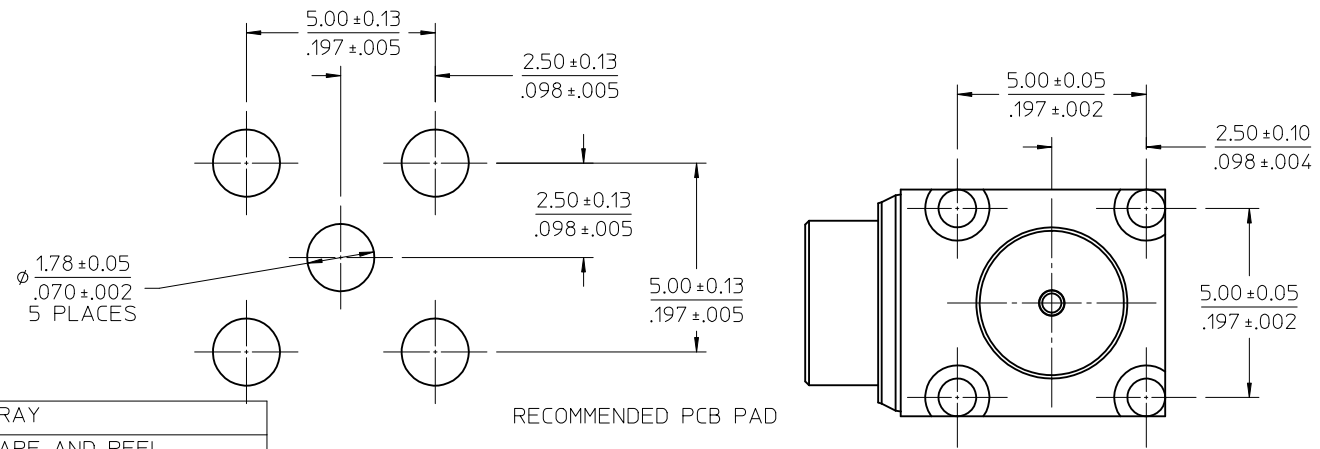
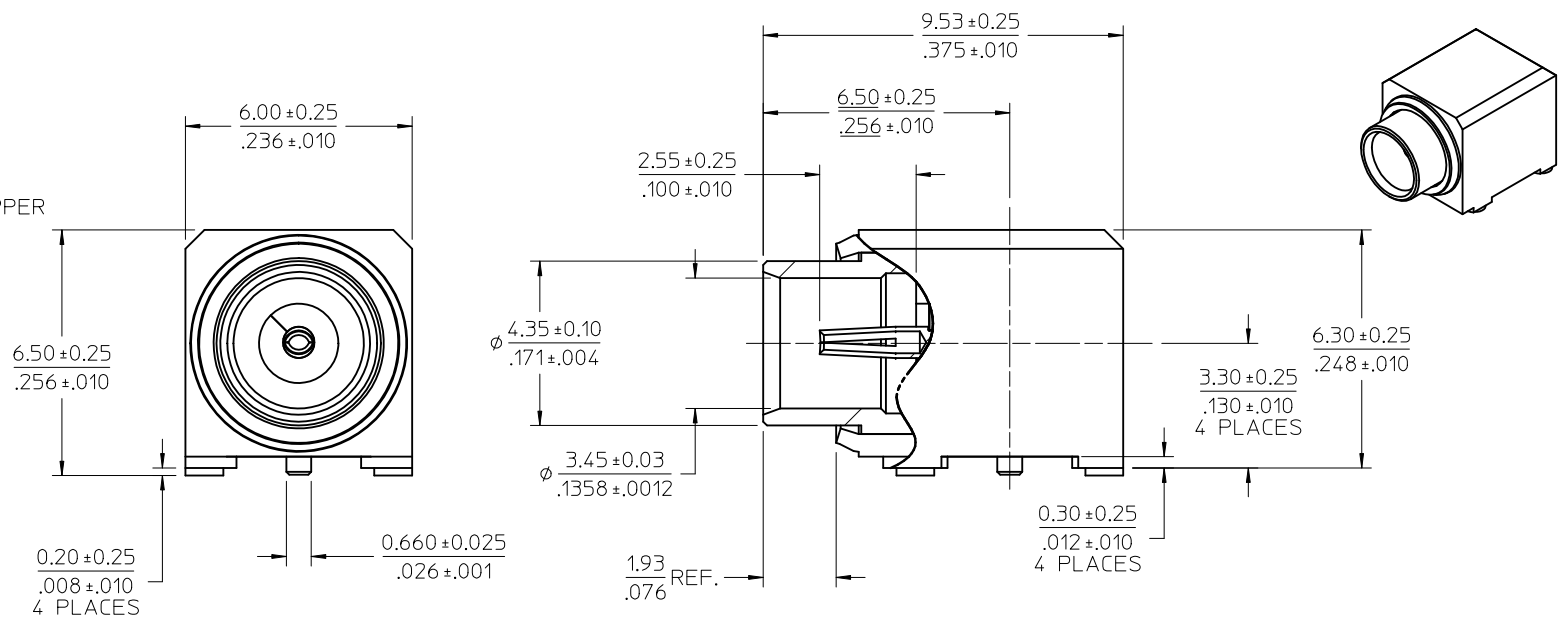
CENTER CONTACT: BERYLLIUM COPPER  
PLATED GOLD

INSULATOR  
TEFLON & ULTEM

HOUSING  
ZINC ALLOY,  
PLATED TRI-M OR GOLD

SPECIFICATION  
PS-73598-0132

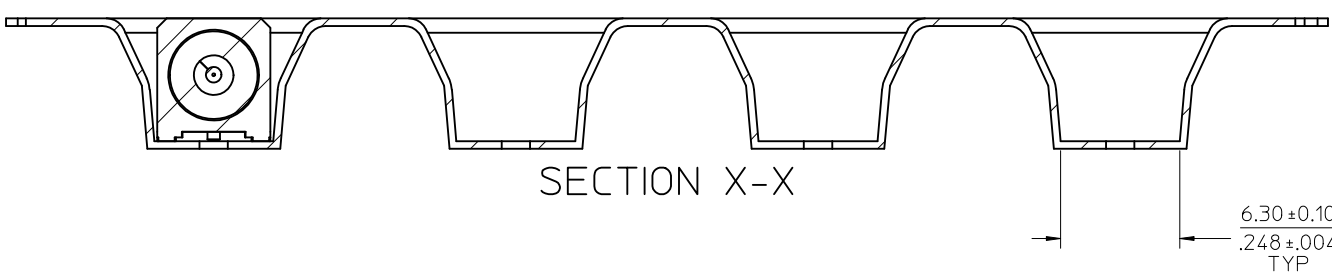
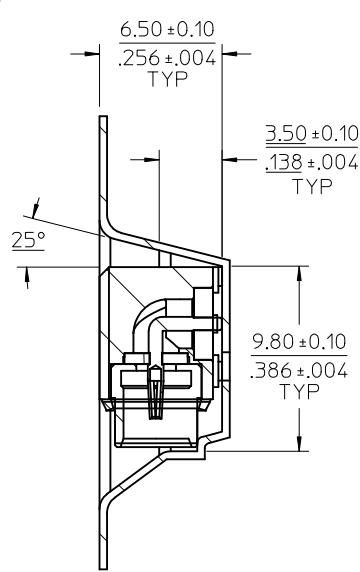
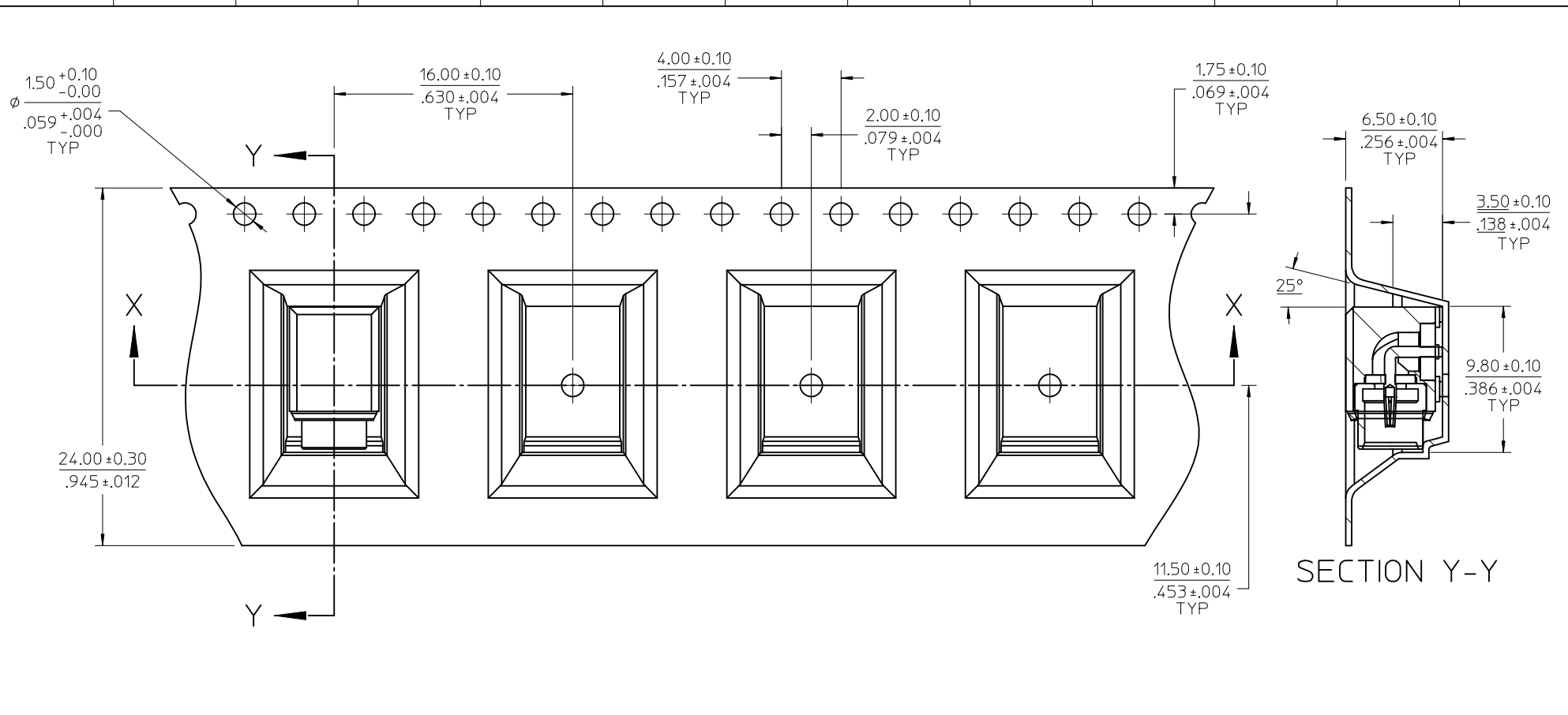
PACKAGING  
TRAY OR TAPE AND REEL



73415-4335 (GOLD FLASH)	TRAY
73415-4334 (GOLD FLASH)	TAPE AND REEL
73415-4333 (GOLD PLATING)	TAPE AND REEL
73415-4332 (GOLD PLATING)	TRAY
73415-4331 (Ni/TRI-M)	TAPE AND REEL
73415-4330 (Ni/TRI-M)	TRAY
PART NUMBER	PACKAGING

A6 ADD'D P/N: 73415-4334/-4335 PER PDR110912 IEC NO: URF2012-0192 DRWNLIN 2011/10/11 CHKD: APPR:MHUANG 2011/10/25 DESCRIPTION	QUALITY SYMBOLS ▽=0 ▽=0	GENERAL TOLERANCES (UNLESS SPECIFIED) <table border="1"> <tr> <th></th> <th>mm</th> <th>INCH</th> </tr> <tr> <td>4 PLACES ±</td> <td>---</td> <td>---</td> </tr> <tr> <td>3 PLACES ±</td> <td>---</td> <td>---</td> </tr> <tr> <td>2 PLACES ±</td> <td>---</td> <td>---</td> </tr> <tr> <td>1 PLACE ±</td> <td>---</td> <td>---</td> </tr> </table> ANGULAR ± 2 °		mm	INCH	4 PLACES ±	---	---	3 PLACES ±	---	---	2 PLACES ±	---	---	1 PLACE ±	---	---	DIMENSION STYLE MM/IN DRAWN BY DATE SSS 2004/04/30 CHECKED BY DATE TEF 2004/04/30 APPROVED BY DATE SSS 2004/04/30	SCALE DESIGN UNITS METRIC THIRD ANGLE PROJECTION	TITLE MCX JACK, R/A SMT TYPE 75 OHMS MCX-J/RA/PCB	MATERIAL NO. SEE TABLE	DOCUMENT NO. SD-73415-433	SHEET NO. 1 OF 2
		mm	INCH																				
4 PLACES ±	---	---																					
3 PLACES ±	---	---																					
2 PLACES ±	---	---																					
1 PLACE ±	---	---																					
DRAFT WHERE APPLICABLE MUST REMAIN WITHIN DIMENSIONS		THIS DRAWING CONTAINS INFORMATION THAT IS PROPRIETARY TO MOLEX INCORPORATED AND SHOULD NOT BE USED WITHOUT WRITTEN PERMISSION																					

13 12 11 10 9 8 7 6 5 4 3 2 1



SECTION X-X

SECTION Y-Y

CHG: SEE SHEET 1 EC NO: URF2012-0192 DRWNLN: 2011/10/11 CHKD: APPR: MHIUANG 2011/10/25 DESCRIPTION	QUALITY SYMBOLS	GENERAL TOLERANCES (UNLESS SPECIFIED)	DIMENSION STYLE	SCALE	DESIGN UNITS	THIRD ANGLE PROJECTION	
	$\nabla=0$ $\nabla=0$	mm INCH 4 PLACES $\pm$ --- $\pm$ --- 3 PLACES $\pm$ --- $\pm$ --- 2 PLACES $\pm$ --- $\pm$ --- 1 PLACE $\pm$ --- $\pm$ --- ANGULAR $\pm 2^\circ$	MM/IN	DRAWN BY DATE SSS 2004/04/30 CHECKED BY DATE TEF 2004/04/30 APPROVED BY DATE SSS 2004/04/30	METRIC	TITLE MCX JACK, R/A SMT TYPE 75 OHMS MCX-J/RA/PCB	SHEET NO. 2 OF 2
		DRAFT WHERE APPLICABLE MUST REMAIN WITHIN DIMENSIONS	SEE TABLE	MATERIAL NO.	DOCUMENT NO.	MOLEX INCORPORATED SD-73415-433	
	A6		SIZE C	THIS DRAWING CONTAINS INFORMATION THAT IS PROPRIETARY TO MOLEX INCORPORATED AND SHOULD NOT BE USED WITHOUT WRITTEN PERMISSION			