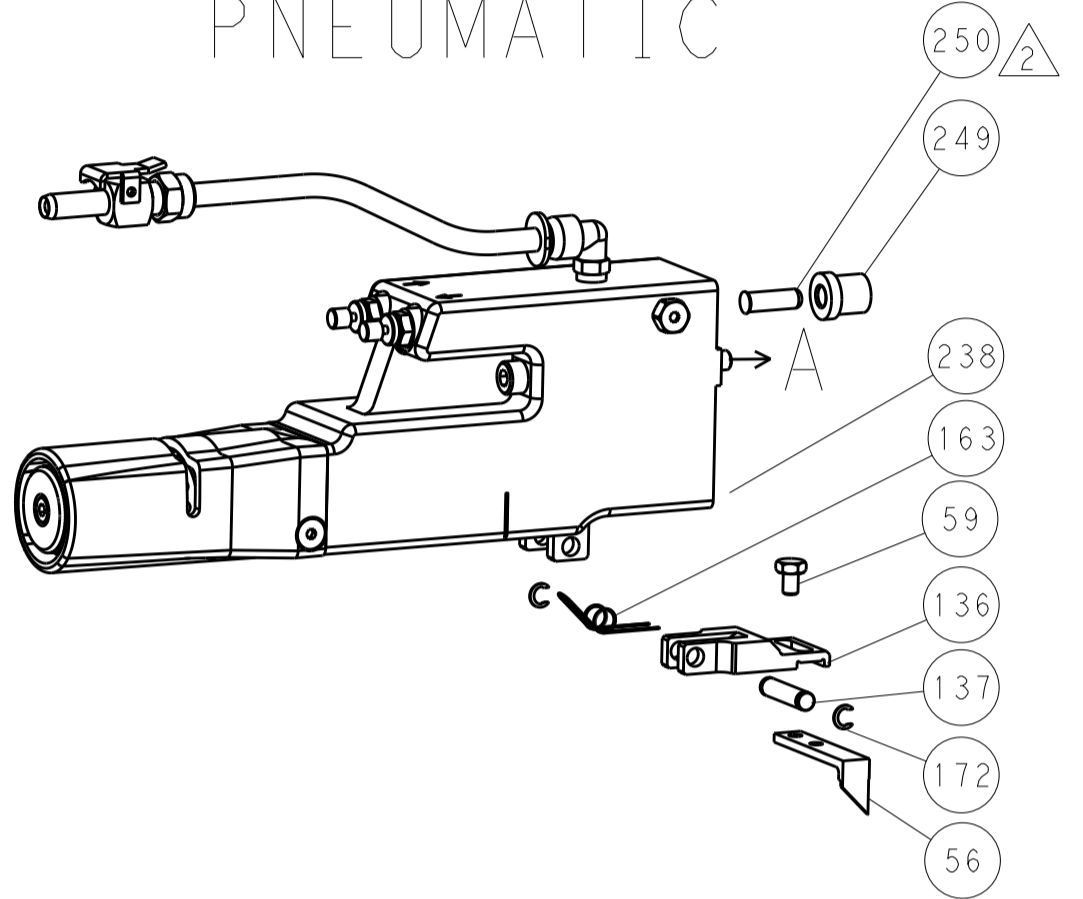


LOC		DIST		REVISIONS			
A	66	P	LTM	DESCRIPTION	DATE	OWN	APVD
		-		SEE SHEET 1			

FEED TYPE MECHANICAL



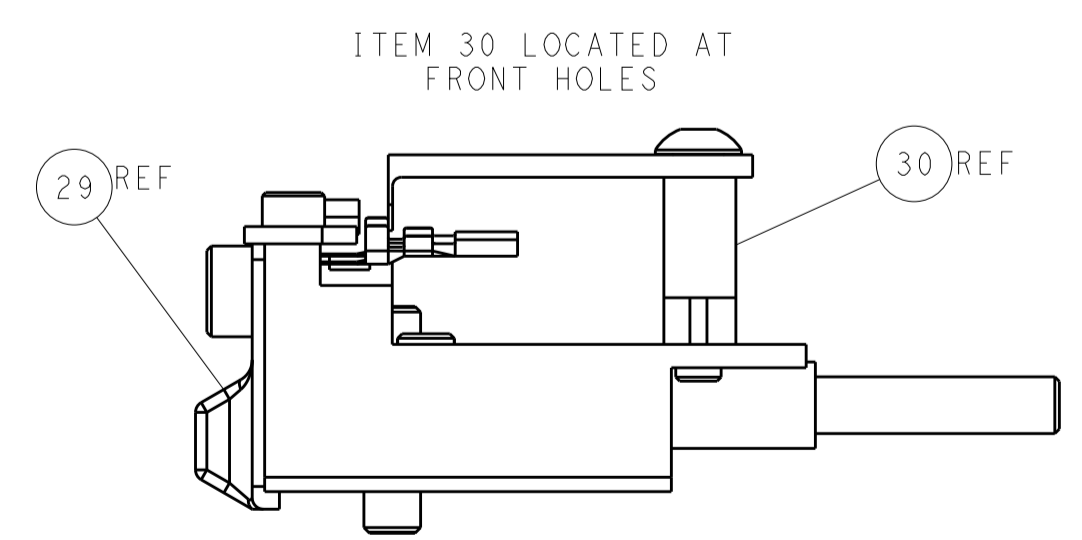
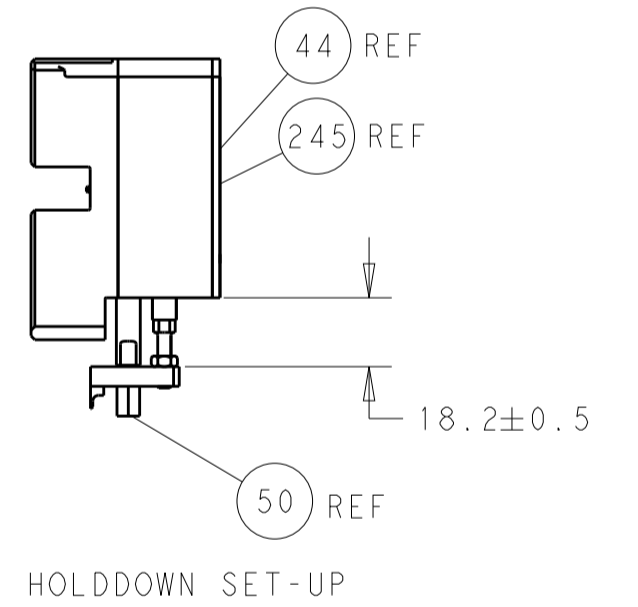
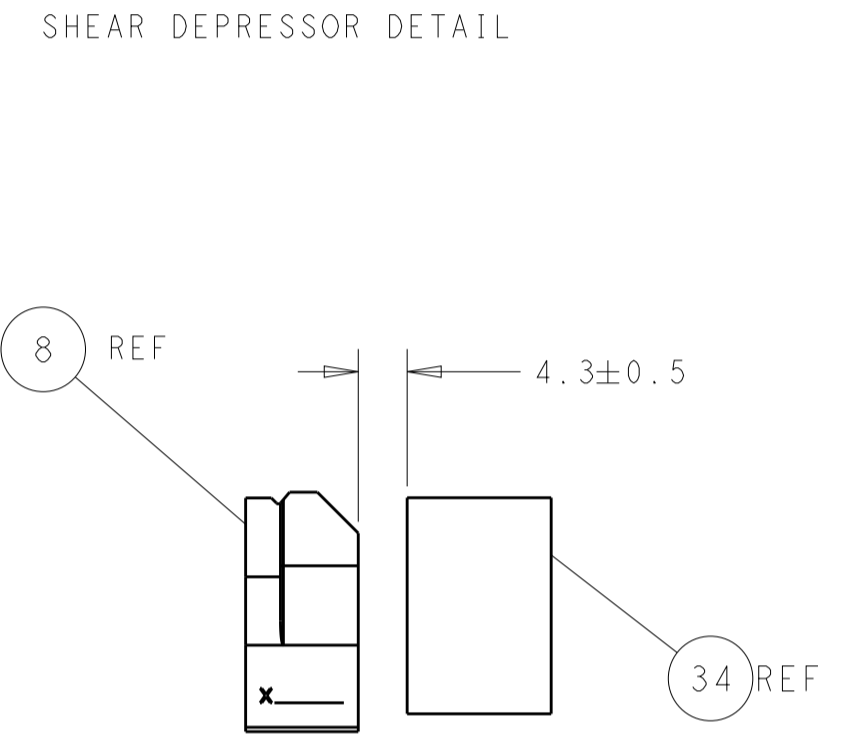
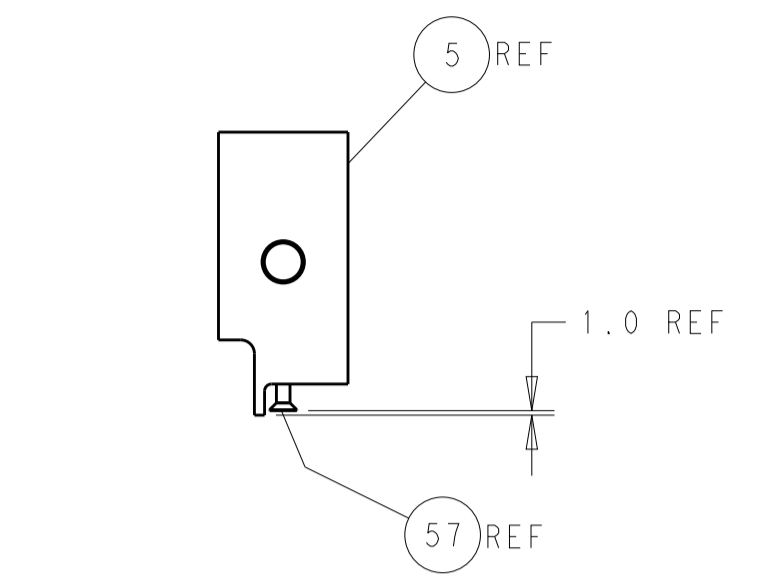
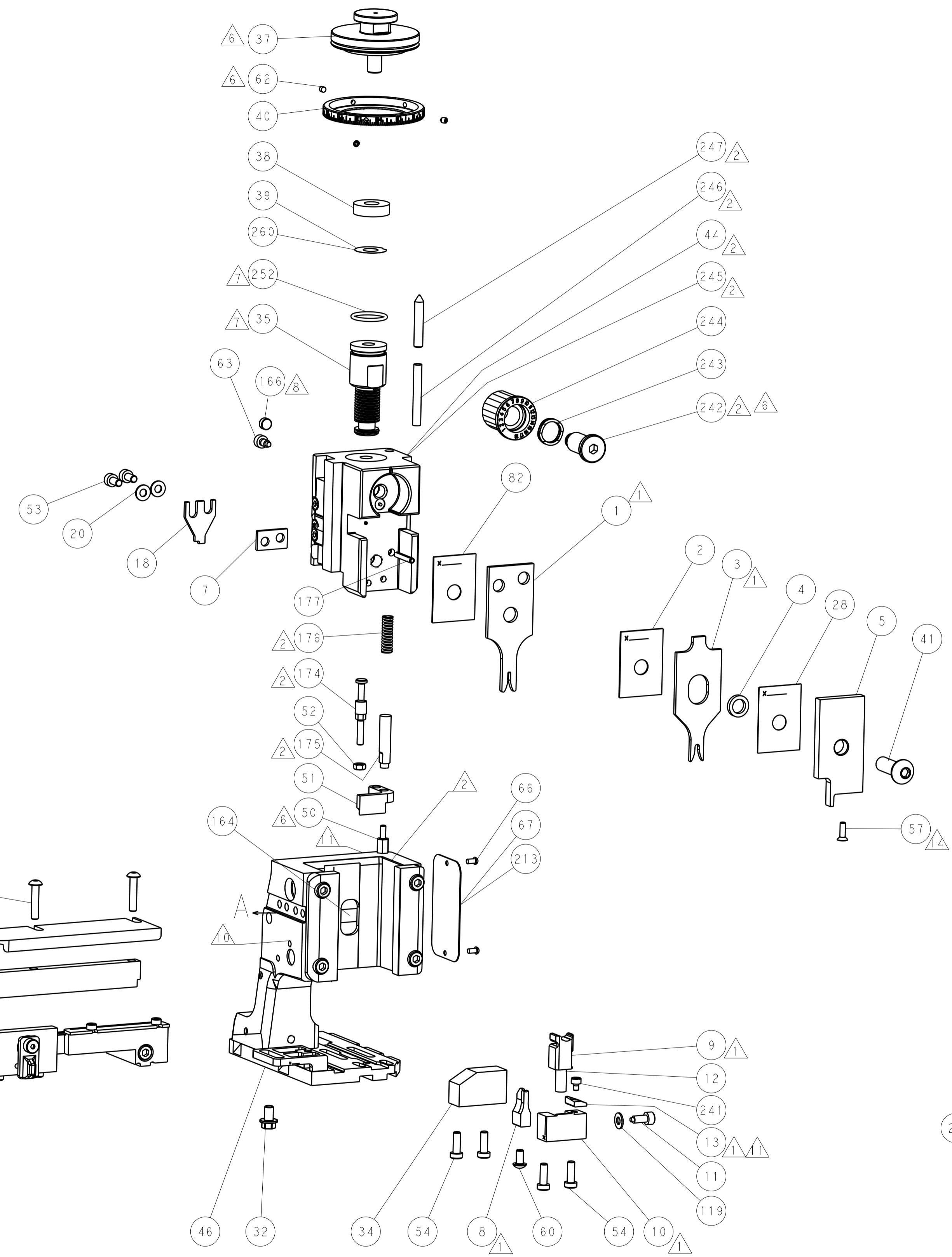
PNEUMATIC



SERVO LATCH PLATE



CAM POSITIONS



ATLANTIC VERSION
 Shown on sheets 1 of 4 & 2 of 4
 (Pacific version shown on sheets 3 of 4 & 4 of 4)

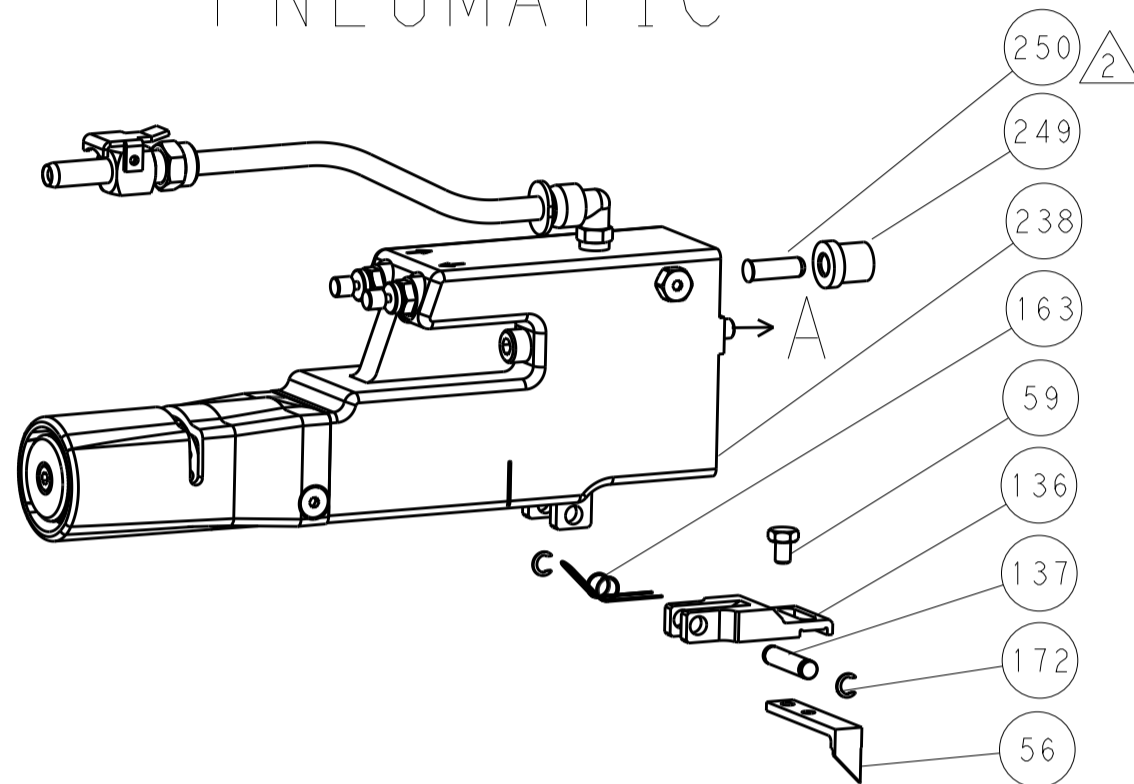
DIMENSIONS:		TOLERANCES UNLESS OTHERWISE SPECIFIED:		DWN: HOFFNER 25SEPT2012		TE Connectivity	
mm	0 PLC	±		CHK: T. ELBIN 26SEPT2012	Harrisburg, PA 17105-3608		
	1 PLC	±		APVD: T. ELBIN 26SEPT2012	NAME: Ocean Side Feed Applicator		
	2 PLC	±			RESTRICTED TO		
	3 PLC	±			SIZE: CAGE CODE: DRAWING NO: A11 00779 ©=2151780		
	4 PLC	±			SCALE: 1:2 SHEET 2 OF 4 REV C2		
MATERIAL:	FINISH:			WEIGHT:		Customer Accessible Production Drawing	

LOC		DIST		REVISIONS			
A	66	P	LTM	DESCRIPTION	DATE	OWN	APVD
		-		SEE SHEET 1			

FEED TYPE MECHANICAL



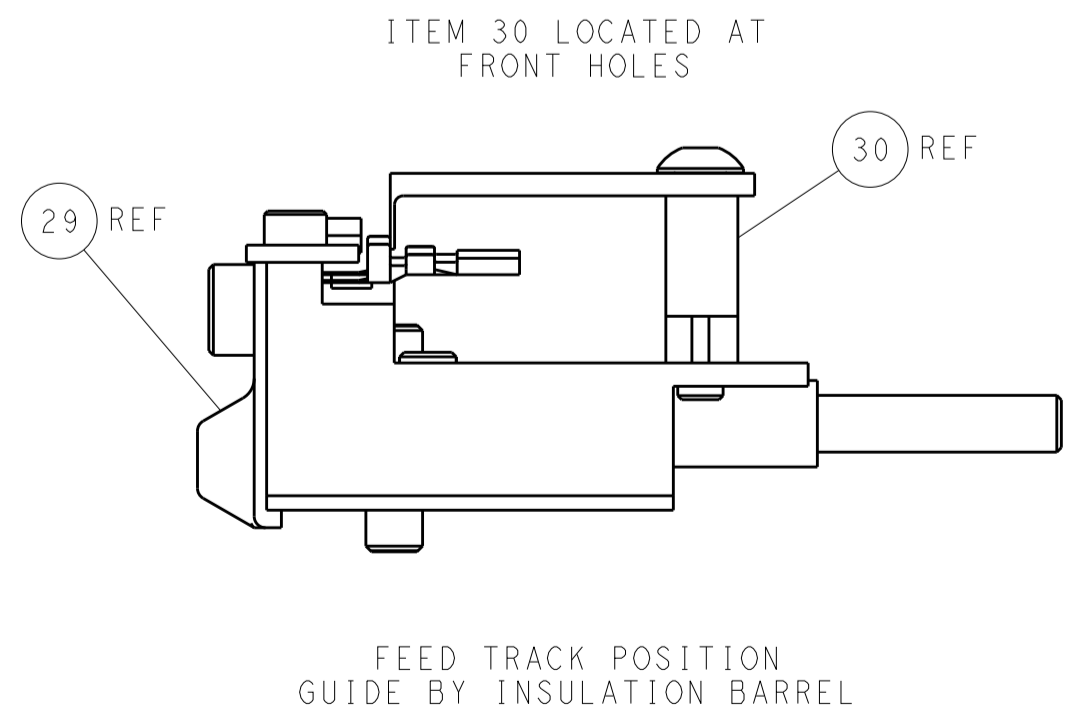
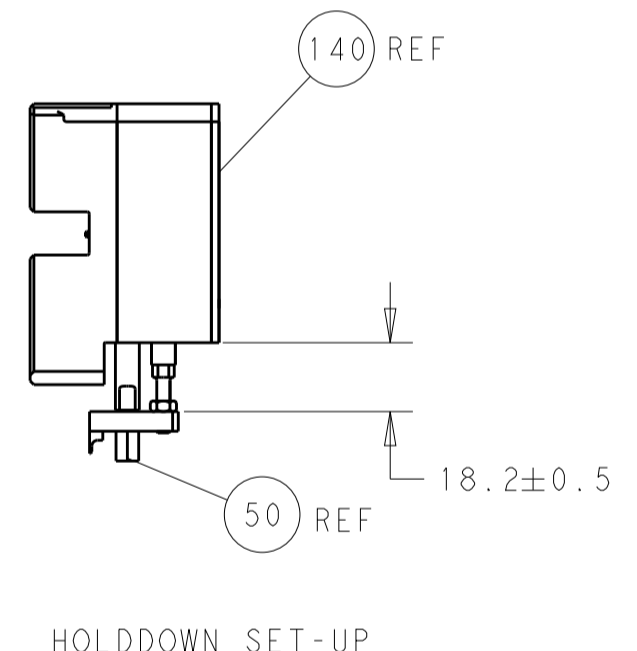
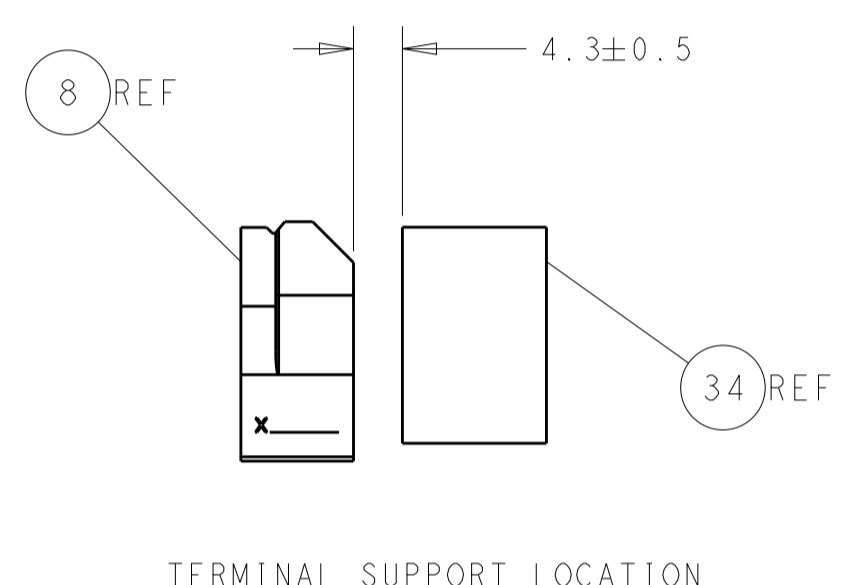
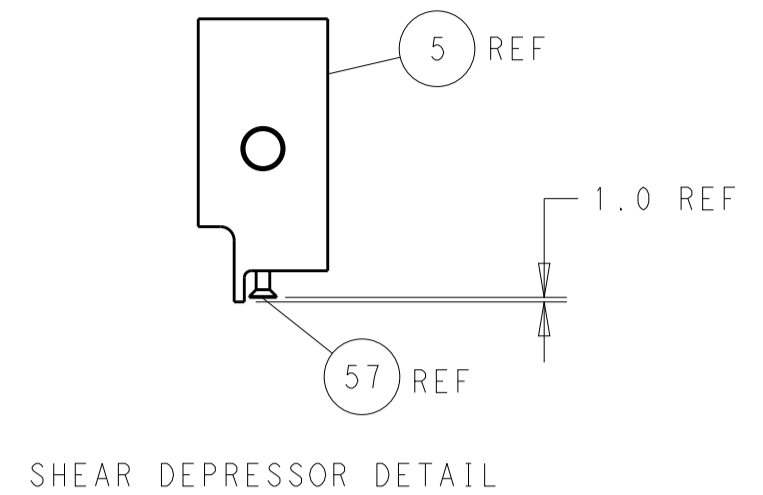
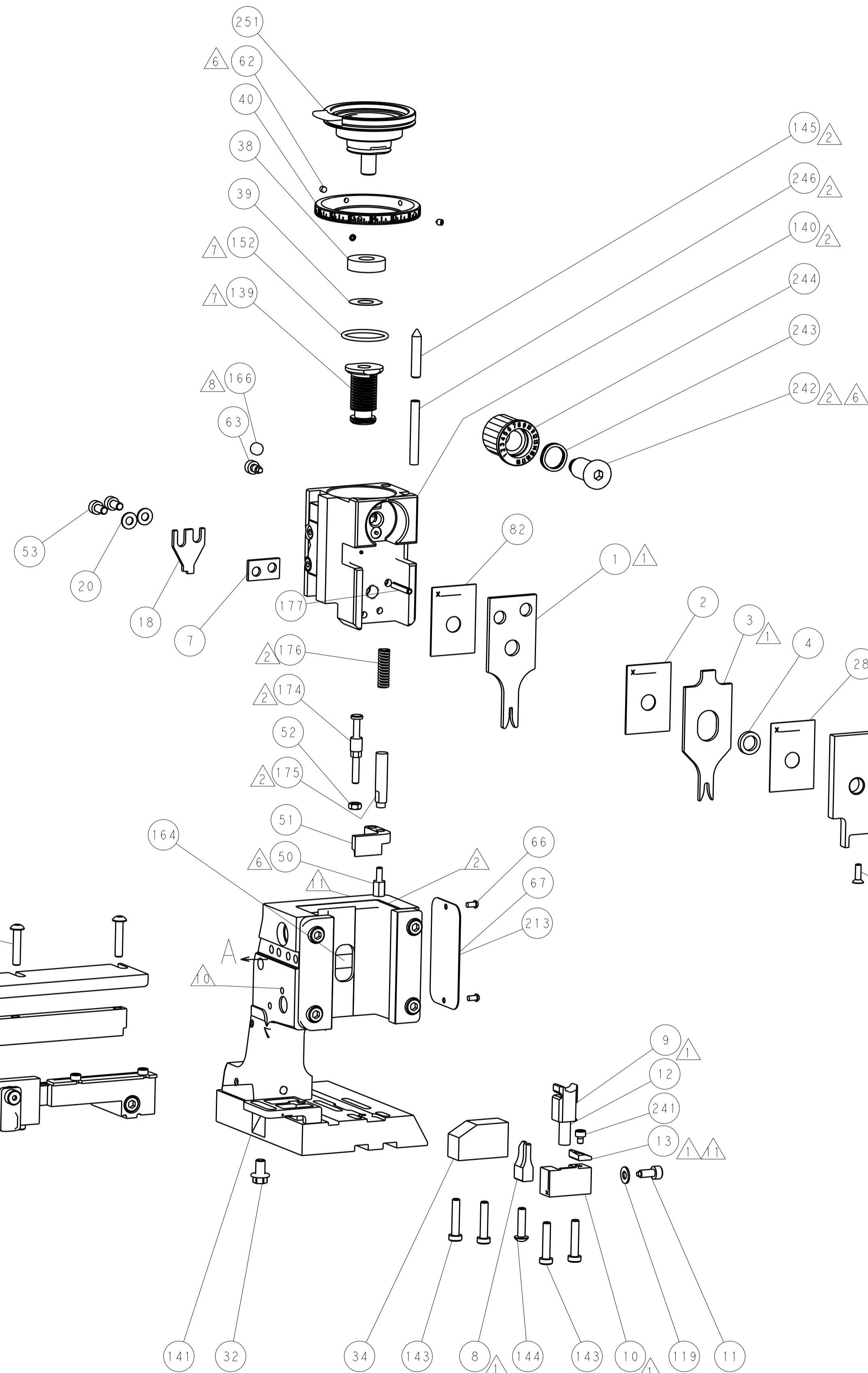
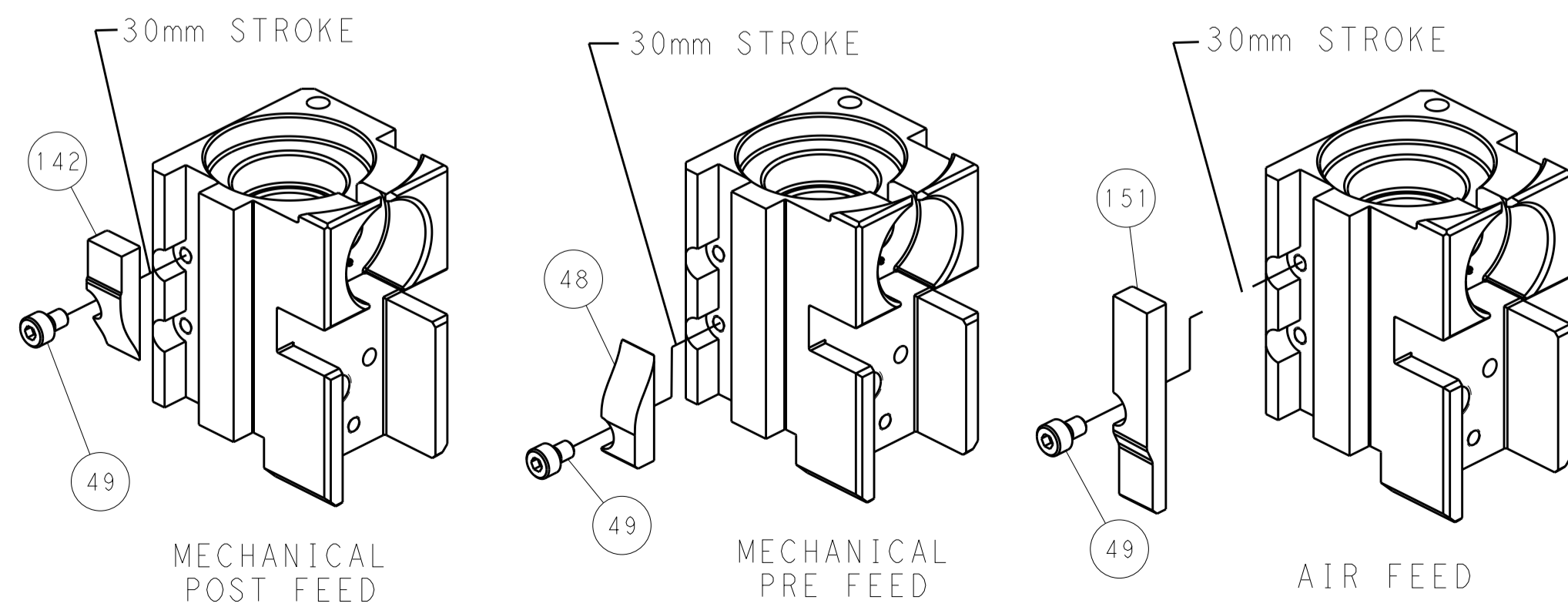
PNEUMATIC



SERVO LATCH PLATE



CAM POSITIONS



PACIFIC VERSION
 Shown on sheets 3 of 4 & 4 of 4
 (Atlantic version shown on sheets 1 of 4 & 2 of 4)

DIMENSIONS:		TOLERANCES UNLESS OTHERWISE SPECIFIED:		DWG: HOFFNER 25SEPT2012		TE Connectivity	
mm	0 PLC ±	1 PLC ±	2 PLC ±	3 PLC ±	4 PLC ±	5 PLC ±	Harrisburg, PA 17105-3608
MATERIAL:		FINISH:		CHK: T. ELBIN 26SEPT2012		NAME: Ocean Side Feed Applicator	
				APVD: T. ELBIN 26SEPT2012		SIZE: CAGE CODE: DRAWING NO: RESTRICTED TO	
				PRODUCT SPEC:		A1 00779 ©=2151780	
				APPLICATION SPEC:		SCALE: 1:2 SHEET 4 OF 4 REV C2	
				WEIGHT:		Customer Accessible Production Drawing	