

MF11



CANTHERM

Supplying high-quality bimetal and thermal sensor products.

TEMPERATURE COMPENSATION
NTC THERMISTOR (MF11)



CANTHERM

Supplying high-quality bimetal and thermal sensor products.

8415 Mountain Sights Avenue • Montreal (Quebec), H4P 2B8, Canada

Tel: (514) 739-3274 • 1-800-561-7207 • Fax: (514) 739-2902 • E-mail: sales@cantherm.com

Website: www.cantherm.com | Division of Microtherm

2010/June MF11

MF11



Temperature Compensation

NTC Thermistor The MF11 series of NTC Thermistors is designed for temperature measurement and the temperature compensation of measurement instruments and electronic circuits.

Part No	Rated zero-power resistance at 25°C		B Value (25/50°C)	
	Resistance range (Ω)	Allowable Tolerance (%)	Rated Value (K)	Allowable Tolerance (%)
MF11	3.3-33	+/- 5 +/- 10 +/- 20	2700	+/-5
	6.8-68		2830	
	15-150		2950	
	33-330		3100	
	68-680		3250	
	150-1500		3400	
	330-3300		3570	
	680-6800		3740	
	1500-15000		3900	
	3300-33000		4050	

Remark: We can produce thermistors according to your special requirements.

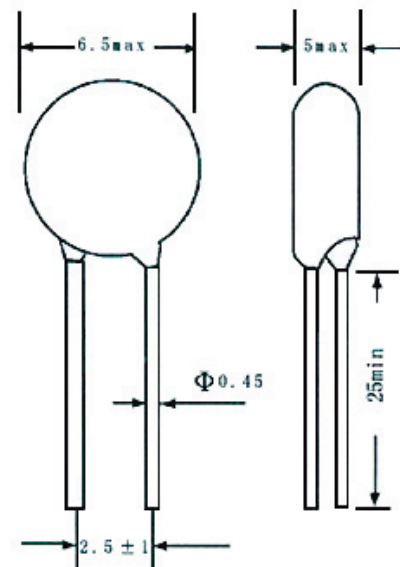
Application

- Temperature Measurement
- Temperature Compensation of Electronic Circuits

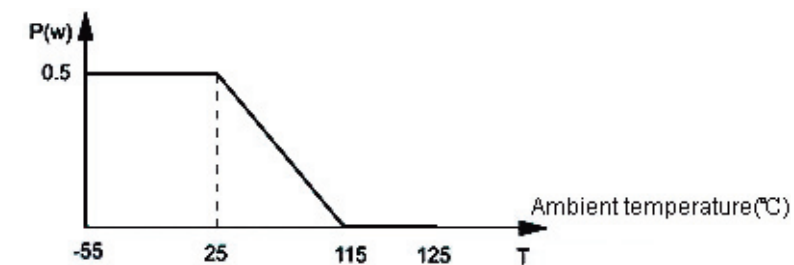
Characteristics

- Broad range of resistance
- Wide choice of B values
- Standard tolerances: ±5%, ±10%, ±20%
- B Value tolerance: ±5%
- Available in all standard R values
- Measuring power ≤0.5mW
- Dissipation Constant ≥6.0mW/°C
- Time Constant of ≤30 seconds
- Rated Power: 0.5W
- Long-term Stability and Reliability
- Good level of Tolerance and Interchangeability
- Temperature Range: -55°C to 125°C

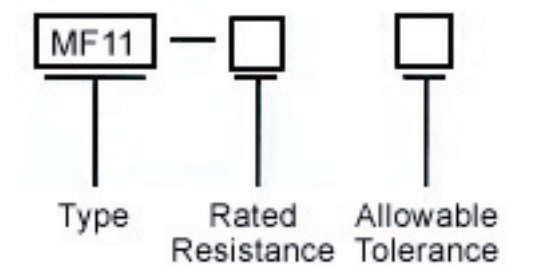
Dimensions (mm)



Power-Consumption curve



Specification



CANTHERM

Supplying high-quality bimetal and thermal sensor products.