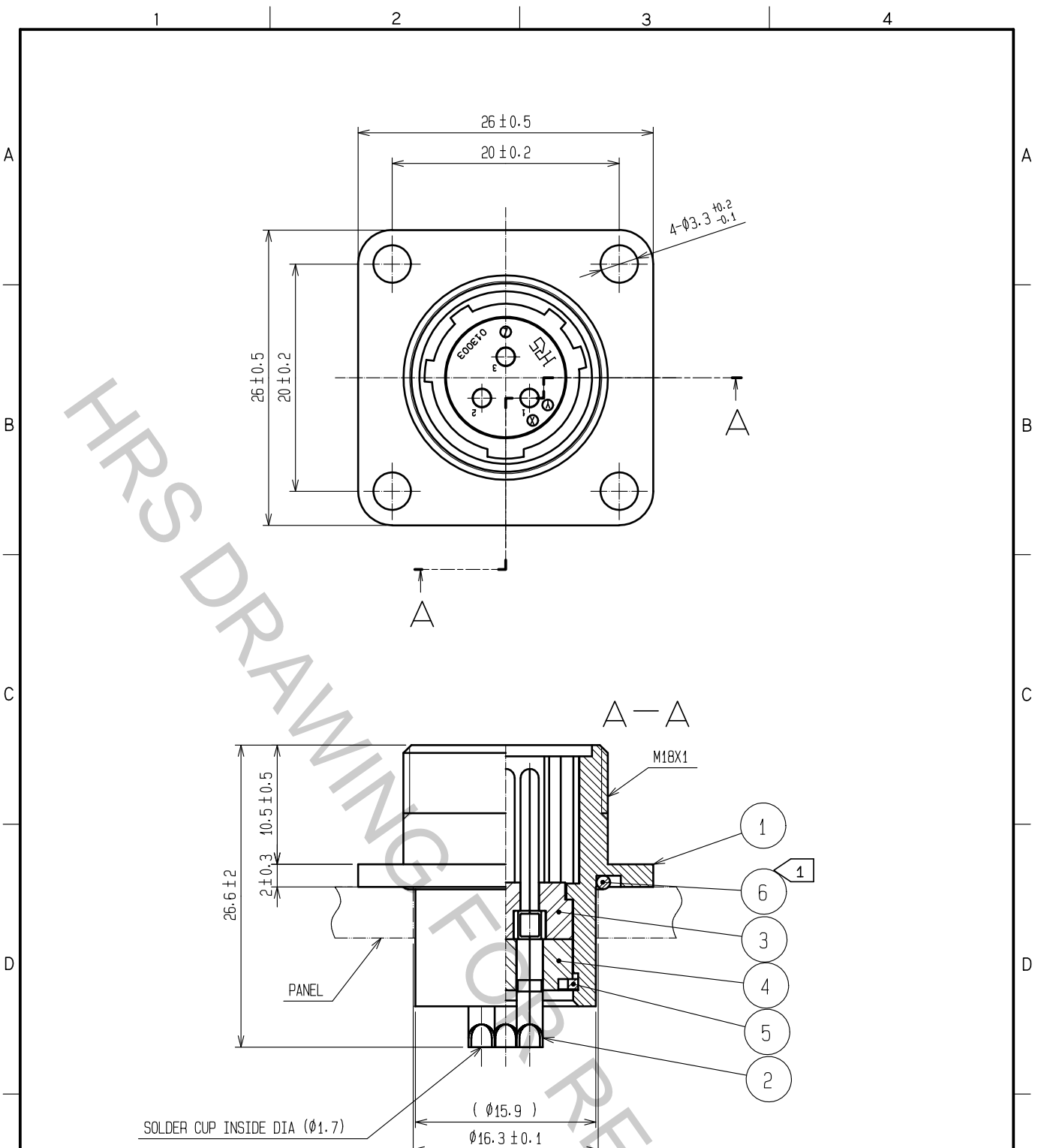


Aug.1.2018 Copyright 2018 HIROSE ELECTRIC CO., LTD. All Rights Reserved.  
 In case that the application demands a high level of reliability, such as automotive,  
 please contact a company representative for further information.



NOTE ① When mounted on chassis, be careful that reference no. ⑥ is fitted into the indicated groove without any biting.

3	PHENOL-FORMALDEHYDE	(BLACK)	UL94V-0	6	NBR	(BLACK)	
2	COPPER ALLOY	SILVER PLATING	2μm min	5	PHOSPHOR BRONZE	NICKEL PLATING	
1	ALUMINUM ALLOY	BLACK CHROME PLATING		4	PHENOL-FORMALDEHYDE	(BLACK) UL94V-0	
NO.	MATERIAL	FINISH	REMARKS	NO.	MATERIAL	FINISH	REMARKS

UNITS mm		SCALE 2 : 1	COUNT 	DESCRIPTION OF REVISIONS	DESIGNED	CHECKED	DATE
-------------	--	----------------	-----------	--------------------------	----------	---------	------

HIROSE ELECTRIC CO., LTD.	APPROVED : HY. KOBAYASHI	18. 03. 12	DRAWING NO.	EDC-110577-31-00
	CHECKED : HY. KOBAYASHI	18. 03. 12	PART NO.	JR13WR-3P(31)
	DESIGNED : TH. KAMEYA	18. 03. 09	CODE NO.	CL114-2023-8-31
	DRAWN : TH. KAMEYA	18. 03. 09		